

Data Sheet

Pluggable Terminal Block (Header)

Pitch: 5,08 mm

Serie: A14M117

Customer Information for special Item

EDCON Customer : xxxxxx

Customer Version No. : xx

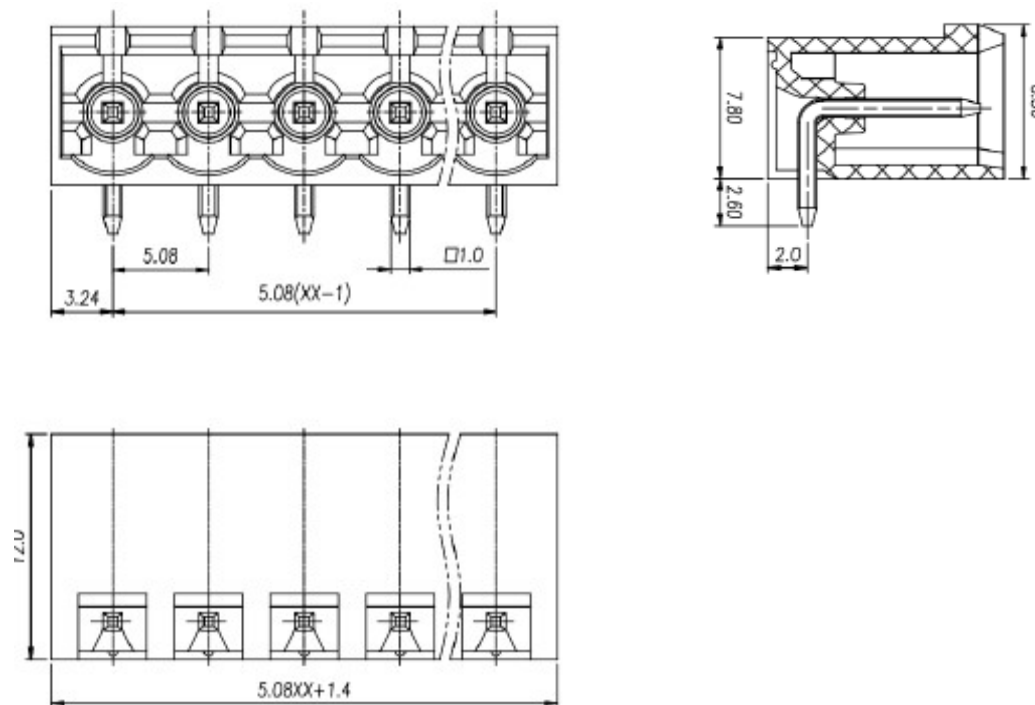
EDCON-COMPONENTS



Technical Discription

| | | | |
|-------------------------------|--------------|-----|-----|
| Electrical | UL | IEC | TÜV |
| Rated Voltage (V) | 300 | 320 | |
| Rated Current (A) | 15 | 12 | |
| Wire Range (mm ²) | | | |
| Wire Range AWG-Size | | | |
| Withstanding Voltage (KV) | 1,6 | 1,6 | |
| Impuls Withst Voltage (KV) | 4,0 | 4,0 | |
| Insulation Resistance | | | |
| Mechanical | | | |
| Operating Temperature (°C) | -40°C ~ +105 | | |
| Wire Strip Length (mm) | | | |
| Screw Torque | | | |
| Screw Size | | | |
| Materials | | | |
| Terminal Housing | LCP | | |
| Imflammability | UL94V-0 | | |
| Contact Material | Copper Alloy | | |
| Contact Surface: | Tin Plated | | |
| Pin Dimension: (mm) | 1,0x1,0 | | |
| PCB Hole Diameter (mm) | 1,7 | | |
| | | | |
| | | | |
| Nut | M3 | | |
| | | | |
| Dimensions | | | |
| Pitch (mm) | 5,08 | | |
| Poles | 2 ~ 24 Pos. | | |

Drawing (Dimension in mm)



Pluggable Terminal Block (Header)

Part No.: **A14M17**

Customer:

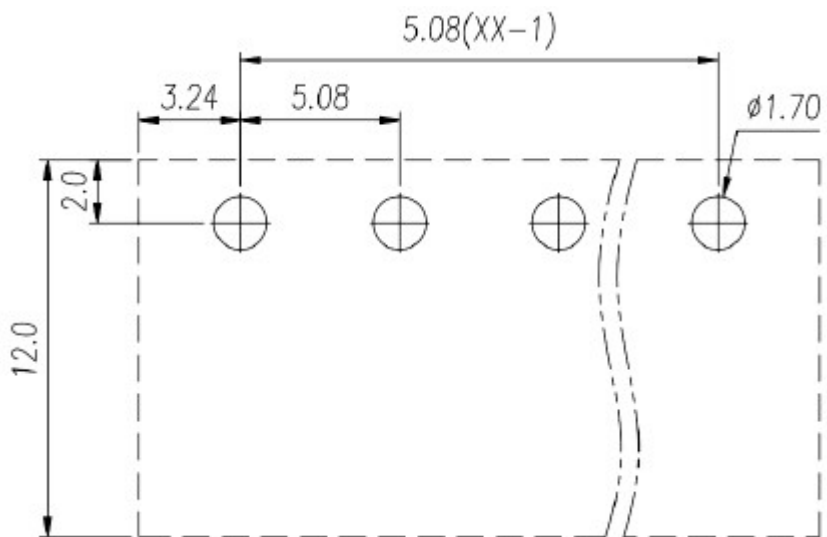
| Tolerances unless otherwise specified (mm) | | | | |
|--|-----------|-------|-----------|------------|
| x | x.x | x.xx | x.xxx | Angle |
| ± | ± | ± | ± | ±3° |
| DRW: | Jason | CHKD | Wilson | MATL: |
| APPD: | Schumi | | | FINISH |
| Wilson | TOLERANCE | Mason | DATE | 23.07.2023 |
| Jamy | | | Sheet No. | 1 from 4 |

EDCON-COMPONENTS



PCB Layout

Dimensions / Tolerance (mm)



**Pluggable Terminal Block
(Header)**

Part No.: **A14M117**

| | | | | | | | | | |
|-------|--------|------|--------|--------|--------|-----------|-----------|------|------------|
| DRW: | Jason | CHKD | Wilson | MATL: | Wilson | TOLERANCE | Mason | DATE | 23.07.2023 |
| APPD: | Schumi | | | FINISH | Jamy | | Sheet No. | | 2 from 4 |

Customer:

www.edcon-components.com

email: info@edcon-components.com

EDCON-COMPONENTS



Ordering Informations

| Serie | No. of Pos. | Body Color | No Function | Approval Code | ROHS | Packing | EDCON Cust. No. | Customer Version | | |
|----------------|-------------|------------|-------------|---------------|----------|----------|-----------------|------------------|--|--|
| A14M117 | 02 | BK | N | N | R | B | xxxxxx | xx | | |

| | | | | | | | |
|---------------|----------------------------|------------------------|---|-----------------------------|-------------------------------|---------------------------------|--|
| Pitch 5,08 | 02 = Number of Pos. | N = No function | N = NON Approval | R = ROHS Conform | B = Bulk-Ware | xxxxxx = Customer Number | xx = Customer Version ??(Printing) |
| | Standard 2 ~ 24 Pos. | | 1 = UL-Approval for Material | N = NON ROHS Conform | I = Individual Package | | |
| | | | A = UL /UR Approval Please consult EDCON for available | | | | |
| | | | B = VDE Approval Please consult EDCON for available | | | | |
| | | | C = TÜV Approval Please consult EDCON for available | | | | |
| | BK = Black | | | | | | |

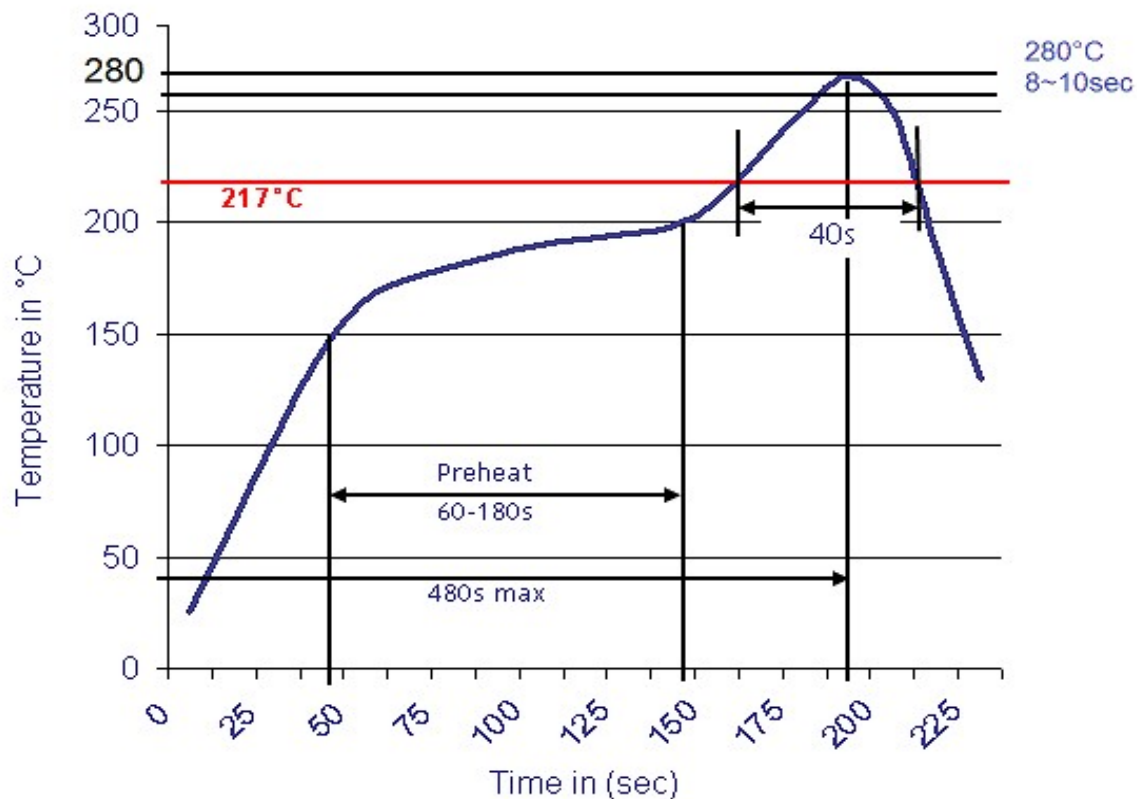
| | |
|--|----------------|
| Pluggable Terminal Block (Header) | |
| Part No.: | A14M117 |
| Customer: | |

| | | | | | | | | | |
|-------|--------|------|--------|--------|--------|-----------|-----------|------|------------|
| DRW: | Jason | CHKD | Wilson | MATL: | Wilson | TOLERANCE | Mason | DATE | 23.07.2023 |
| APPD: | Schumi | | | FINISH | Jamy | | Sheet No. | | 3 from 4 |



Soldering Profile Curve

Classification Reflow Profile (JEDEC J-STD-020C)



| | |
|--|----------------|
| Pluggable Terminal Block (Header) | |
| Part No.: | A14M117 |
| Customer: | |

| | | | | | | | | | |
|-------|--------|------|--------|--------|--------|-----------|-----------|------|------------|
| DRW: | Jason | CHKD | Wilson | MATL: | Wilson | TOLERANCE | Mason | DATE | 23.07.2023 |
| APPD: | Schumi | | | FINISH | Jamy | | Sheet No. | | 4 from 4 |