

Data Sheet

Pluggable Terminal Block (Header)

Pitch: 5,08 mm

Serie: A14M116

Customer Information for special Item

EDCON Customer : xxxxxx

Customer Version No. : xx

EDCON-COMPONENTS



Technical Discription

Electrical:

	UL	IEC	VDE
Rated voltage:	300	320	300
Rated current:	15	12	10
Withstanding Voltage: AC/1min:	1600	4000	1600
Operating Temperature:	-40°C ~ +105°C		

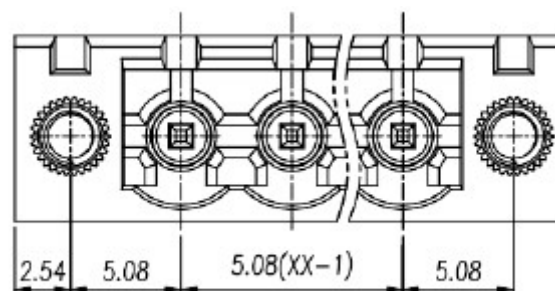
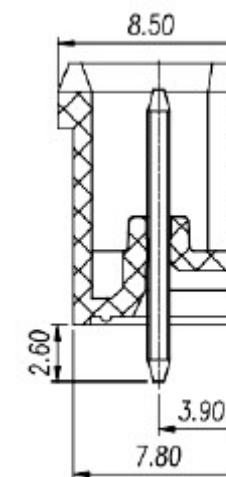
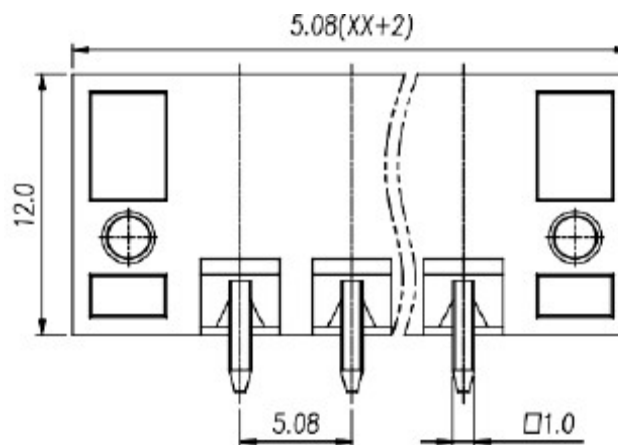
Mechanical:

Strip length: mm			
Wire range: Solid wire: AWG			
Wire range: Stranded wire:AWG			

Material:

Housing Terminal Body:	LCP / UL94V-0
Material Screw:	
Material Terminal:	Copper Alloy /Tin plated
Pin Dimension:)mm)	1,0*1,0
PCB-Hole Dimension: (mm)	Ø1,7
Soldering Temperature:: (°C)	285°C/10S

Drawing (Dimension in mm)



Item No.		
1		
2		
3		
4		
5		
6		
7		
8		
9		

Tolerances unless otherwise specified (mm)				
x	x.x	x.xx	x.xxx	Angle
±	±	±	±	±3°
DRW:	Jason	CHKD	Wilson	MATL:
APPD:	Schumi			FINISH
				Jamy
				TOLERANCE
				Mason
				DATE
				21.07.2023
				Sheet No.
				1 from 4

Pluggable Terminal Block (Header)

Part No.: **A14M16**

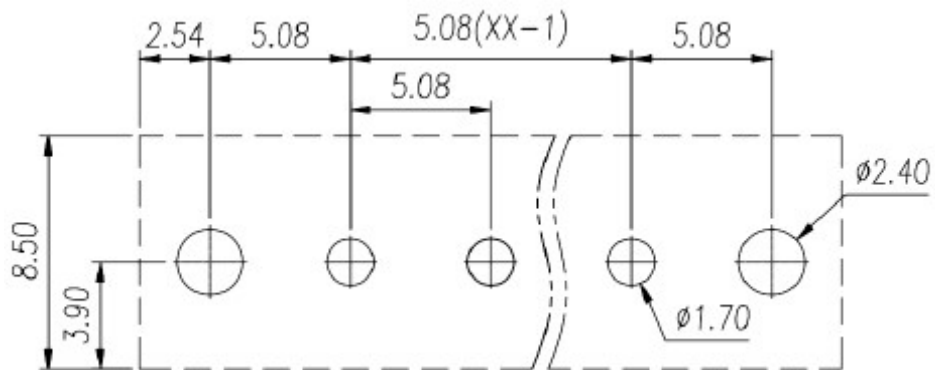
Customer:

EDCON-COMPONENTS



PCB Layout

Dimensions / Tolerance (mm)



**Pluggable Terminal Block
(Header)**

Part No.: **A14M116**

DRW:	Jason	CHKD:	Wilson	MATL:	Wilson	TOLERANCE:	Mason	DATE:	21.07.2023
APPD:	Schumi			FINISH:	Jamy		Sheet No.		2 from 4

Customer:

www.edcon-components.com

email: info@edcon-components.com

EDCON-COMPONENTS



Ordering Informations

Serie	No. of Pos.	Body Color	No Function	Approval Code	ROHS	Packing	EDCON Cust. No.	Customer Version		
A14M116	02	BK	N	N	R	B	xxxxxx	xx		

Pitch
5,08

02= Number of Pos.		N= No function	N= NON Approval	R= ROHS Conform	B= Bulk-Ware	xxxxxx= Customer Number	xx= Customer Version ??(Printing)
Standard 2 ~ 24 Pos.			1= UL-Approval for Material	N= NON ROHS Conform	I= Individual Package		
			A= UL /UR Approval Please consult EDCON for available				
			B= VDE Approval Please consult EDCON for available				
			C= TÜV Approval Please consult EDCON for available				
	BK= Black						

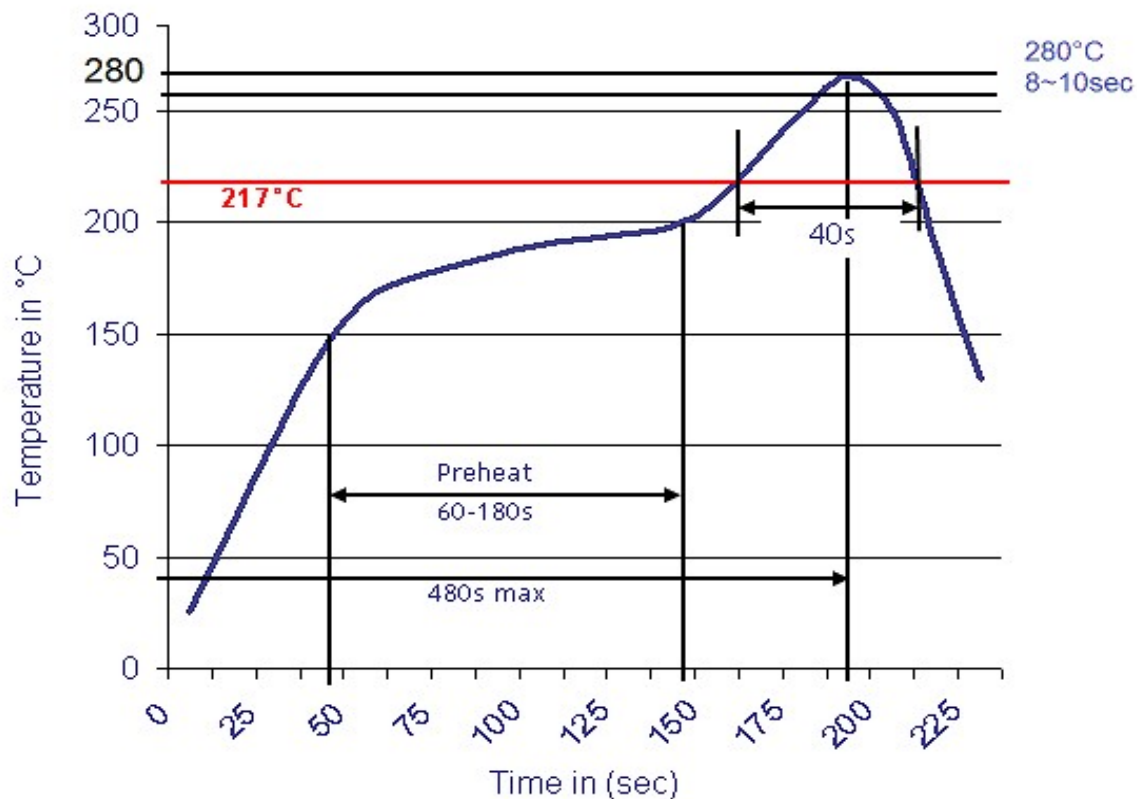
Pluggable Terminal Block (Header)	
Part No.:	A14M116
Customer:	

DRW:	Jason	CHKD	Wilson	MATL:	Wilson	TOLERANCE	Mason	DATE	21.07.2023
APPD:	Schumi			FINISH	Jamy		Sheet No.		3 from 4



Soldering Profile Curve

Classification Reflow Profile (JEDEC J-STD-020C)



**Pluggable Terminal Block
(Header)**

Part No.: **A14M116**

Customer:

DRW:	Jason	CHKD	Wilson	MATL:	Wilson	TOLERANCE	Mason	DATE	21.07.2023
APPD:	Schumi			FINISH	Jamy		Sheet No.	4 from 4	