

# Data Sheet

## Pin Header for Pluggable Terminal Block 1,3/1,3mm

**Pitch: 5,00 mm**

**Serie: A14L161**

### Customer Information for special Item

**EDCON Customer : 0**

**Customer Version No. : 0**



## Technical Discription

### Electrical:

Rated voltage:	300V		
Rated current:	10A		
Withstanding Voltage: AC/1min:	2000V		
Operating Temperature:	-40°C ~ +105°C		
Insulation Resistance:	5000M Ω / DC1000V		
Contact Resistance:	20mΩ		

### Mechanical:


### Material:

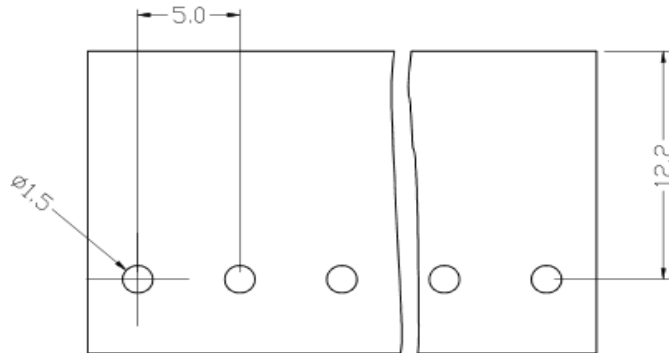
Housing Terminal Body: PA66 + 10%GF, UL94V-0

Pin Material Terminal: Brass / Tin plated

## Pin Header (Dimension in mm)

Order Code	Dimension (mm)		
	A	B	C
<b>A01</b>	7,4	9,8	12,9
<b>A02</b>			
<b>A03</b>			
<b>A04</b>			
<b>A05</b>			
<b>A06</b>			
<b>A07</b>			
<b>A08</b>			
<b>A09</b>			
<b>A10</b>			

## PCB Layout (mm)



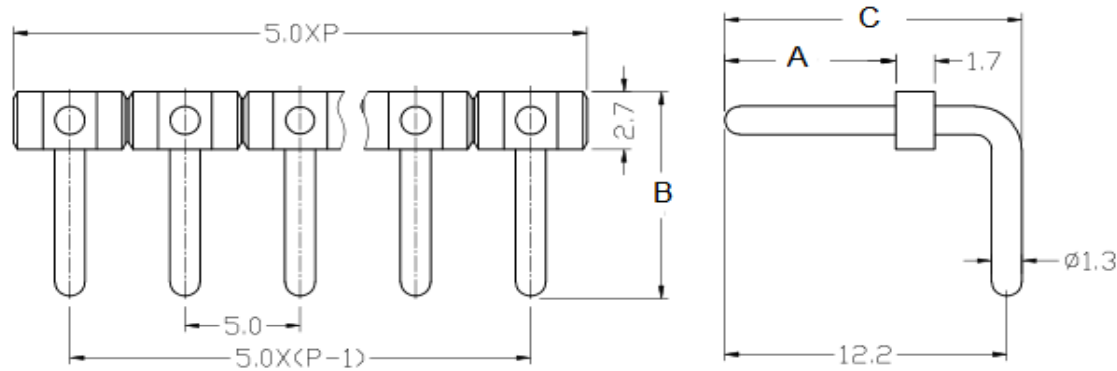
Tolerances unless otherwise specified (mm)				
x	x.x	x.xx	x.xxx	Angle
±	±	±	±	±3°
DRW:	Jason	CHKD	Wilson	MATL:
APPD:	Schumi			FINISH
				Jamy
			Sheet No.	1 from 4

<b>Pin Header for Pluggable Terminal Block 1,3/1,3mm</b>	
Part No.:	<b>A14L161</b>
Customer:	

# EDCON-COMPONENTS



Drawing (Dimension in mm)



**Pin Header for Pluggable  
Terminal Block 1,3/1,3mm**

Part No.: **A14L161**

Customer:

DRW:	Jason	CHKD	Wilson	MATL:	Wilson	TOLERANCE	Mason	DATE	28.08.2023
APPD:	Schumi			FINISH	Jamy		Sheet No.	2 from 4	

# EDCON-COMPONENTS



## Ordering Informations

Serie	No. of Pos.	Pin Length order Code	Body Color	Approval Code	ROHS	Packing				
<b>A14L161</b>	<b>XX</b>	<b>Axx</b>	<b>BK</b>	<b>N</b>	<b>R</b>	<b>BU</b>				

Pitch  
5,00

<b>XX=</b> Number of Pos. 2~24	<b>Axx=</b> look Pin Length order code table	<b>BK=</b> Black	<b>N=</b> NON Approval	<b>R=</b> ROHS Conform	<b>BU=</b> Bulk-Ware
		<b>GY=</b> Gray		<b>N=</b> NON ROHS Conform	<b>IV=</b> Individual Package
					<b>TR=</b> Tape Reel Packing with PIC and Place Cap
					<b>TC=</b> TUBE Packing with PIC and Place Cap

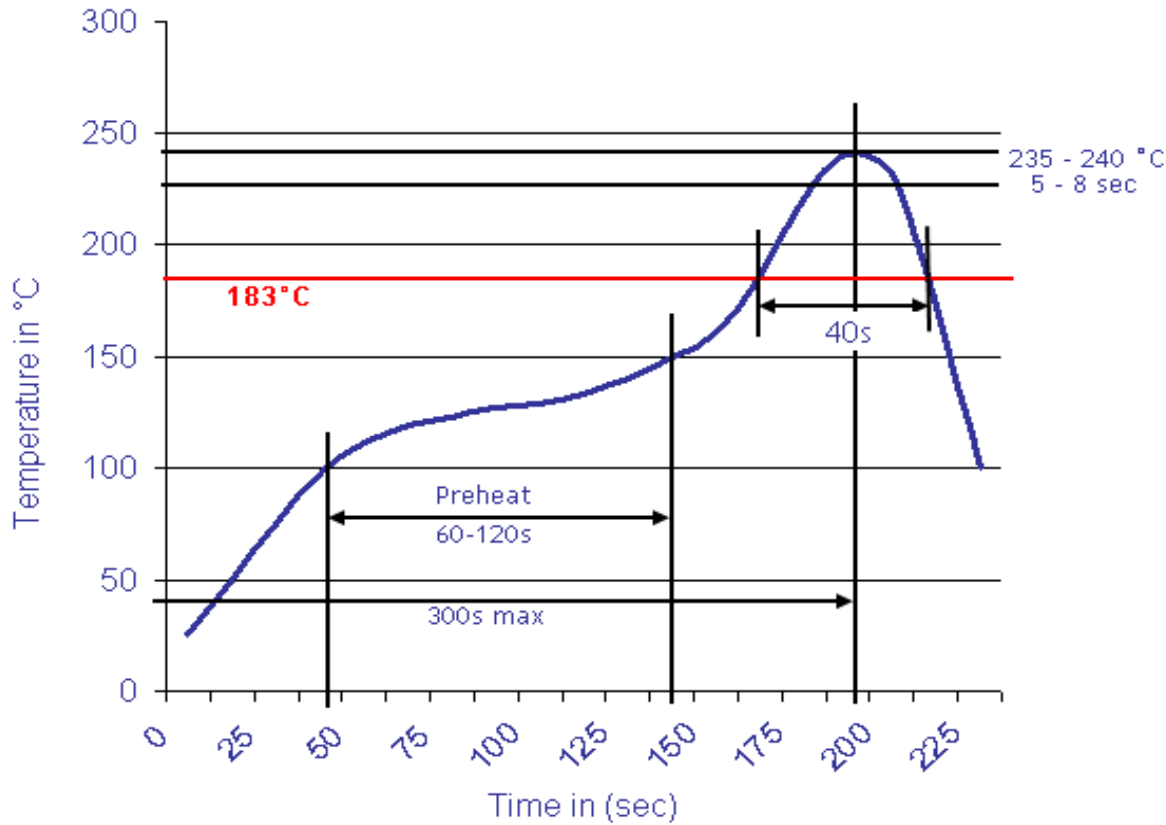
<b>Pin Header for Pluggable Terminal Block 1,3/1,3mm</b>	
Part No.:	<b>A14L161</b>
Customer:	

DRW:	Jason	CHKD	Wilson	MATL:	Wilson	TOLERANCE	Mason	DATE	28.08.2023
APPD:	Schumi			FINISH	Jamy		Sheet No.		3 from 4



Soldering Profile Curve

Classification Reflow Profile (JEDEC J-STD-020C)



<b>Pin Header for Pluggable Terminal Block 1,3/1,3mm</b>
Part No.: <b>A14L161</b>
Customer:

DRW:	Jason	CHKD	Wilson	MATL:	Wilson	TOLERANCE	Mason	DATE	28.08.2023
APPD:	Schumi			FINISH	Jamy		Sheet No.		4 from 4