

# Data Sheet

## Pluggable Terminal Block (Wafer) RIGHT

**Pitch: 5,00 mm**

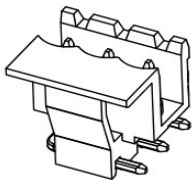
**Serie: A14L158**

### Customer Information for special Item

**EDCON Customer : xxxxxx**

**Customer Version No. : xx**

# EDCON-COMPONENTS



## Technical Discription

### Electrical:

Rated voltage:

Rated current:

Withstanding Voltage: AC/1min:

Operating Temperature:

### Mechanical:

Strip length: mm

Wire range: Solid wire: AWG

Wire range: Stranded wire:AWG

### Material:

Housing Terminal Body:

Material Screw:

Material Terminal:

| UL    | IEC   | VDE |
|-------|-------|-----|
| 300   | 300   |     |
| 15A   | 15A   |     |
| 1600V | 1600V |     |

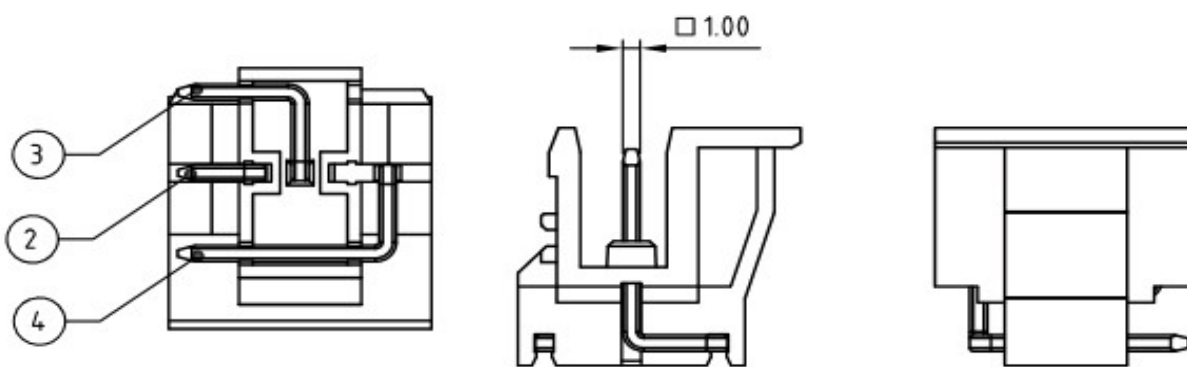
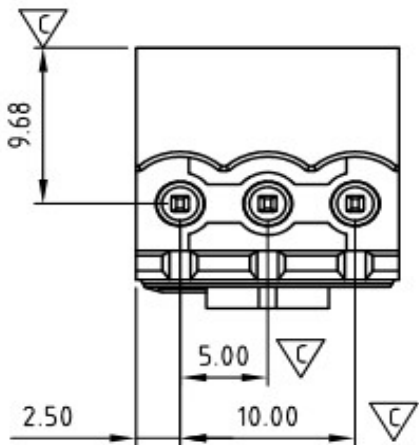
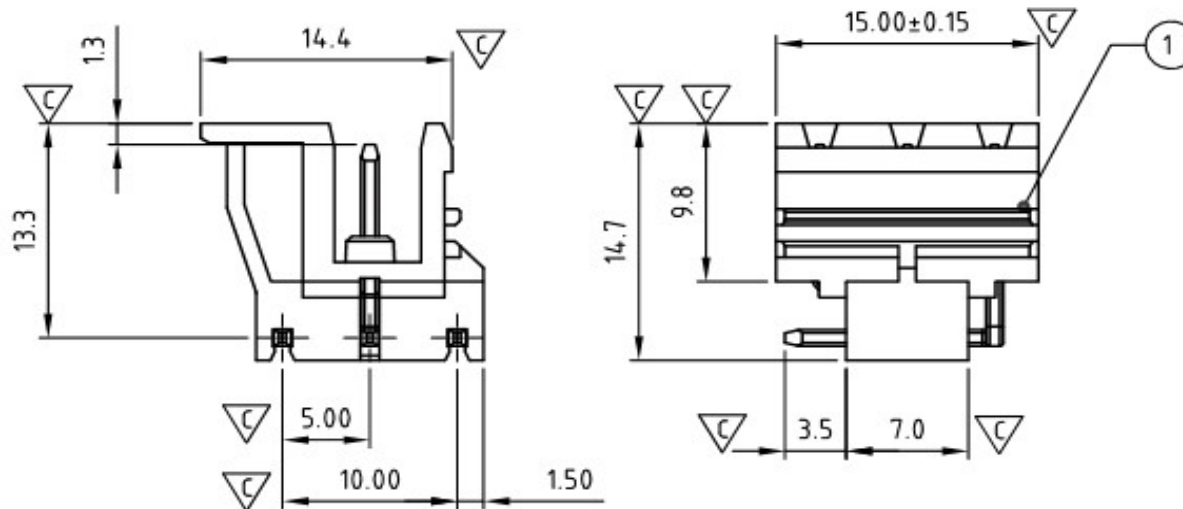
-40°C ~ +115°C

| Strip length: mm | Wire range: Solid wire: AWG | Wire range: Stranded wire:AWG |
|------------------|-----------------------------|-------------------------------|
|                  |                             |                               |
|                  |                             |                               |

PA66 UL94V-0

Copper Matte Tin plated over Nickel

## Drawing (Dimension in mm)



Tolerances unless otherwise specified (mm)

| x | x.x | x.xx | x.xxx | Angle |
|---|-----|------|-------|-------|
| ± | ±   | ±    | ±     | ±3°   |

**Pluggable Terminal Block  
(Wafer) RIGHT**

Part No.: **A14L158**

Customer:

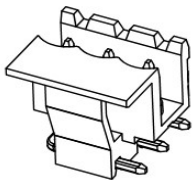
|       |        |      |        |        |        |           |       |           |            |
|-------|--------|------|--------|--------|--------|-----------|-------|-----------|------------|
| DRW:  | Jason  | CHKD | Wilson | MATL:  | Wilson | TOLERANCE | Mason | DATE      | 17.03.2024 |
| APPD: | Schumi |      |        | FINISH | Jamy   |           |       | Sheet No. | 1 from 4   |

[www.edcon-components.com](http://www.edcon-components.com)

email: [info@edcon-components.com](mailto:info@edcon-components.com)

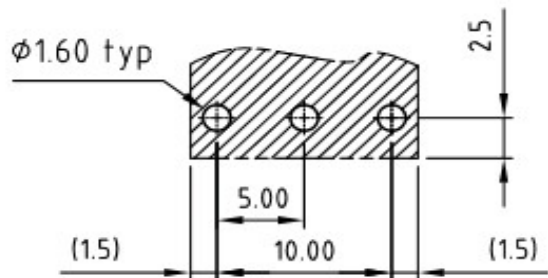
Copyright by S.Tiede

# EDCON-COMPONENTS



## PCB Layout

## Dimensions / Tolerance (mm)



**Pluggable Terminal Block  
(Wafer) RIGHT**

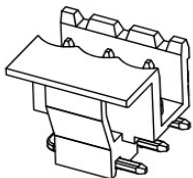
Part No.: **A14L158**

|       |        |       |        |         |        |            |           |          |            |           |
|-------|--------|-------|--------|---------|--------|------------|-----------|----------|------------|-----------|
| DRW:  | Jason  | CHKD: | Wilson | MATL:   | Wilson | TOLERANCE: | Mason     | DATE:    | 17.03.2024 | Customer: |
| APPD: | Schumi |       |        | FINISH: | Jamy   |            | Sheet No. | 2 from 4 |            |           |

[www.edcon-components.com](http://www.edcon-components.com)

email: [info@edcon-components.com](mailto:info@edcon-components.com)

# EDCON-COMPONENTS



## Ordering Informations

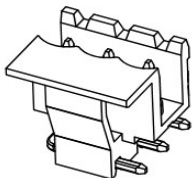
| Serie          | No. of Pos. | Body Color | No Function | Approval Code | ROHS     | Packing  | EDCON Cust. No. | Customer Version |  |  |
|----------------|-------------|------------|-------------|---------------|----------|----------|-----------------|------------------|--|--|
| <b>A14L158</b> | <b>03</b>   | <b>PG</b>  | <b>N</b>    | <b>N</b>      | <b>R</b> | <b>B</b> | <b>xxxxxx</b>   | <b>xx</b>        |  |  |

Pitch  
5,00

|                           |                                     |                       |  |                            |                              |                                |  |
|---------------------------|-------------------------------------|-----------------------|--|----------------------------|------------------------------|--------------------------------|--|
| <b>03=</b> Number of Pos. | <b>PG=</b> Phoenix Green (Standard) | <b>N=</b> No function | <b>N=</b> NON Approval                                       | <b>R=</b> ROHS Conform     | <b>B=</b> Bulk-Ware          | <b>xxxxxx=</b> Customer Number | <b>xx=</b> Customer Version ??(Printing) |
|                           | <b>WH=</b> White                    |                       | <b>1=</b> UL-Approval for Material                           | <b>N=</b> NON ROHS Conform | <b>I=</b> Individual Package |                                |  |
|                           | <b>GN=</b> Green                    |                       | <b>A=</b> UL /UR Approval Please consult EDCON for available |                            |                              |                                |  |
|                           |                                     |                       | <b>B=</b> VDE Approval Please consult EDCON for available    |                            |                              |                                |  |
|                           | <b>BL=</b> Blue                     |                       | <b>C=</b> TÜV Approval Please consult EDCON for available    |                            |                              |                                |  |
|                           | <b>BK=</b> Black                    |                       |  |                            |                              |                                |  |
|                           | <b>YE=</b> Yellow                   |                       |  |                            |                              |                                |  |
|                           | <b>RD=</b> Red                      |                       |  |                            |                              |                                |  |

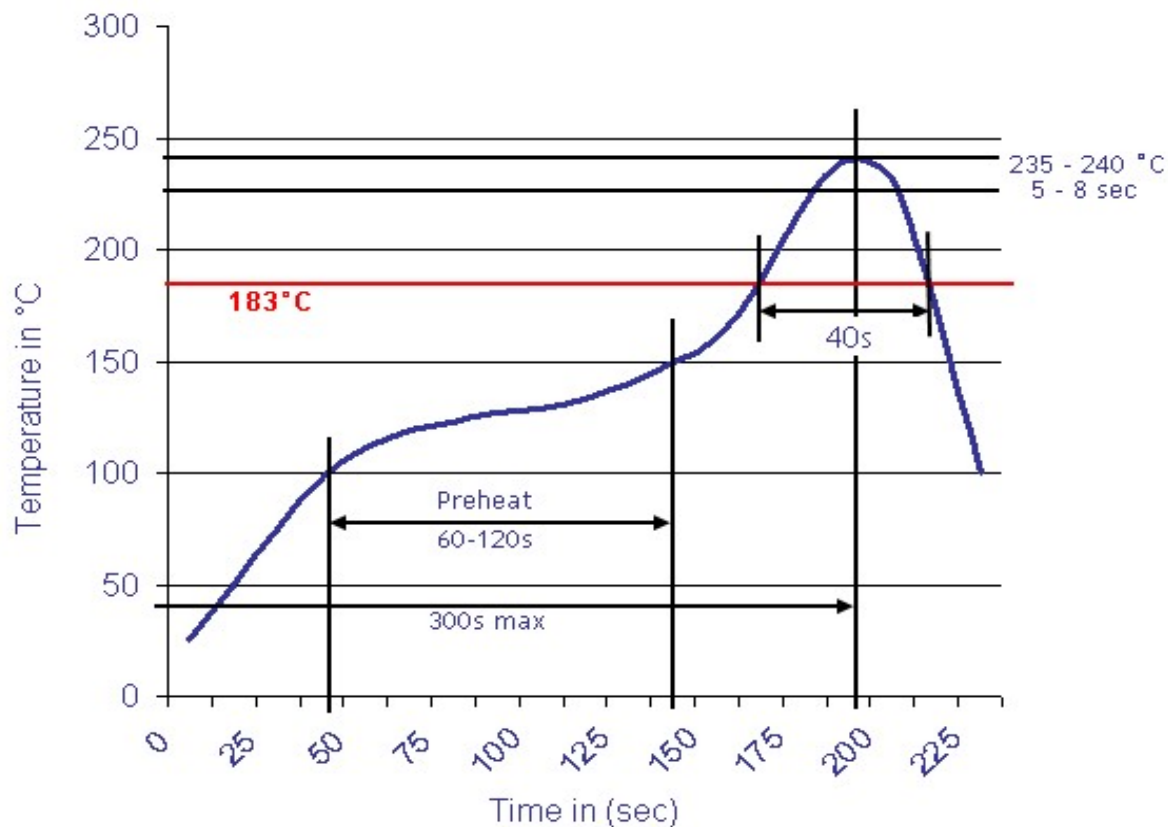
|   |
|---|
| <b>Pluggable Terminal Block (Wafer) RIGHT</b> |
| Part No.: <b>A14L158</b>                      |
| Customer:                                     |

|       |        |      |        |        |        |           |           |      |            |
|-------|--------|------|--------|--------|--------|-----------|-----------|------|------------|
| DRW:  | Jason  | CHKD | Wilson | MATL:  | Wilson | TOLERANCE | Mason     | DATE | 17.03.2024 |
| APPD: | Schumi |      |        | FINISH | Jamy   |           | Sheet No. |      | 3 from 4   |



Soldering Profile Curve

Classification Reflow Profile (JEDEC J-STD-020C)



**Pluggable Terminal Block  
(Wafer) RIGHT**

Part No.: **A14L158**

Customer:

|       |        |      |        |        |        |           |           |      |            |
|-------|--------|------|--------|--------|--------|-----------|-----------|------|------------|
| DRW:  | Jason  | CHKD | Wilson | MATL:  | Wilson | TOLERANCE | Mason     | DATE | 17.03.2024 |
| APPD: | Schumi |      |        | FINISH | Jamy   |           | Sheet No. |      | 4 from 4   |