

# Data Sheet

## Pluggable Terminal Block (Wafer) LEFT

**Pitch: 5,00 mm**

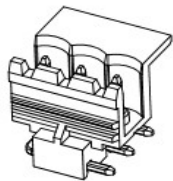
**Serie: A14L155**

### Customer Information for special Item

**EDCON Customer : xxxxxx**

**Customer Version No. : xx**

# EDCON-COMPONENTS



## Technical Description

### Electrical:

Rated voltage:

Rated current:

Withstanding Voltage: AC/1min:

Operating Temperature:

UL	IEC	VDE
300	300	
15A	15A	
1600V	1600V	

-40°C ~ +115°C

### Mechanical:

Strip length: mm

Wire range: Solid wire: AWG

Wire range: Stranded wire: AWG


### Material:

Housing Terminal Body:

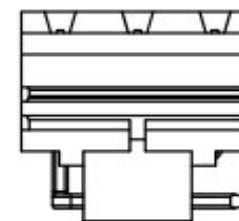
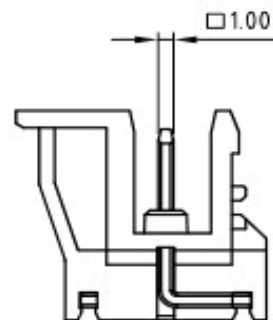
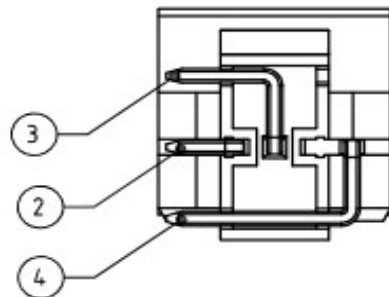
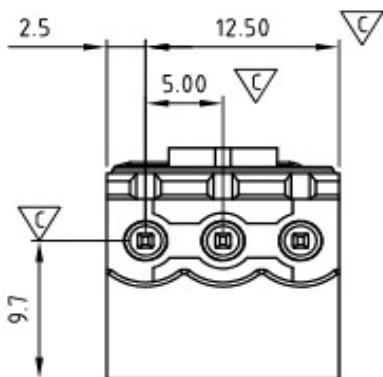
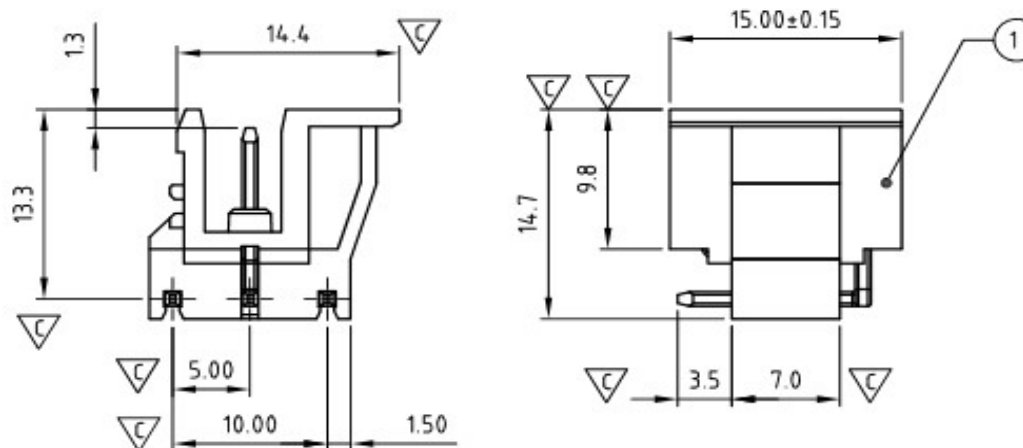
PA66 UL94V-0

Material Screw:

Material Terminal:

Copper Matte Tin plated over Nickel

## Drawing (Dimension in mm)



Tolerances unless otherwise specified (mm)

x	x.x	x.xx	x.xxx	Angle
±	±	±	±	±3°

**Pluggable Terminal Block  
(Wafer) LEFT**

Part No.: **A14L155**

DRW:	Jason	CHKD:	Wilson	MATL:	Wilson	TOLERANCE:	Mason	DATE:	17.03.2024
APPD:	Schumi			FINISH:	Jamy			Sheet No.:	1 from 4

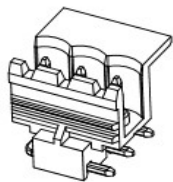
Customer:

[www.edcon-components.com](http://www.edcon-components.com)

email: [info@edcon-components.com](mailto:info@edcon-components.com)

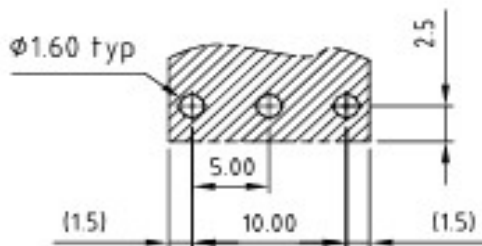
Copyright by S.Tiede

# EDCON-COMPONENTS



## PCB Layout

## Dimensions / Tolerance (mm)



**Pluggable Terminal Block  
(Wafer) LEFT**

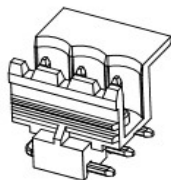
Part No.: **A14L155**

DRW:	Jason	CHKD	Wilson	MATL:	Wilson	TOLERANCE	Mason	DATE	17.03.2024	Customer:
APPD:	Schumi			FINISH	Jamy		Sheet No.	2 from 4		

[www.edcon-components.com](http://www.edcon-components.com)

email: [info@edcon-components.com](mailto:info@edcon-components.com)

# EDCON-COMPONENTS



## Ordering Informations

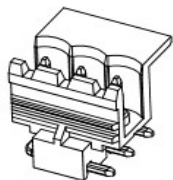
Serie	No. of Pos.	Body Color	No Function	Approval Code	ROHS	Packing	EDCON Cust. No.	Customer Version		
<b>A14L155</b>	<b>03</b>	<b>PG</b>	<b>N</b>	<b>N</b>	<b>R</b>	<b>B</b>	<b>xxxxxx</b>	<b>xx</b>		

Pitch  
5,00

<b>03=</b> Number of Pos.	<b>PG=</b> Phoenix Green (Standard)	<b>N=</b> No function	<b>N=</b> NON Approval	<b>R=</b> ROHS Conform	<b>B=</b> Bulk-Ware	<b>xxxxxx=</b> Customer Number	<b>xx=</b> Customer Version ??(Printing)
	<b>WH=</b> White		<b>1=</b> UL-Approval for Material	<b>N=</b> NON ROHS Conform	<b>I=</b> Individual Package		
	<b>GN=</b> Green		<b>A=</b> UL /UR Approval Please consult EDCON for available				
			<b>B=</b> VDE Approval Please consult EDCON for available				
	<b>BL=</b> Blue		<b>C=</b> TÜV Approval Please consult EDCON for available				
	<b>BK=</b> Black						
	<b>YE=</b> Yellow						
	<b>RD=</b> Red						

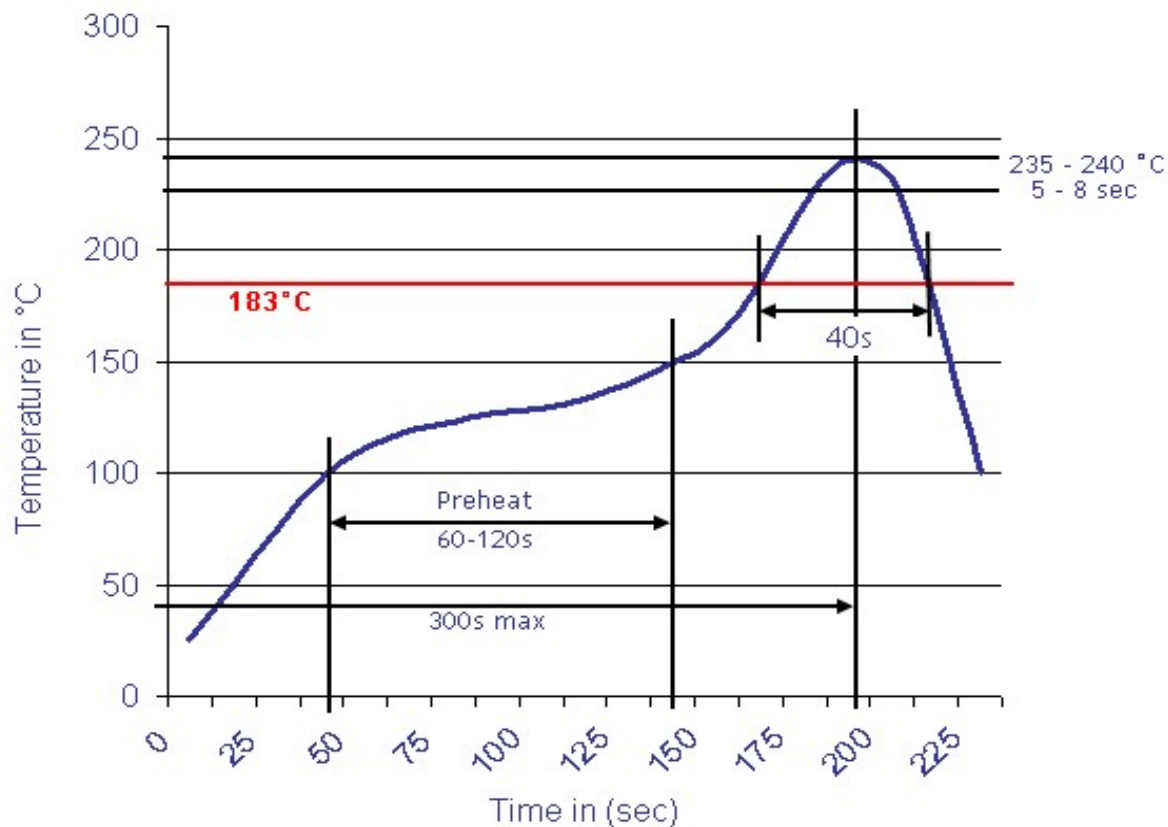
<b>Pluggable Terminal Block (Wafer) LEFT</b>
Part No.: <b>A14L155</b>
Customer:

DRW:	Jason	CHKD	Wilson	MATL:	Wilson	TOLERANCE	Mason	DATE	17.03.2024
APPD:	Schumi			FINISH	Jamy		Sheet No.		3 from 4



Soldering Profile Curve

Classification Reflow Profile (JEDEC J-STD-020C)



**Pluggable Terminal Block  
(Wafer) LEFT**

Part No.: **A14L155**

DRW:	Jason	CHKD	Wilson	MATL:	Wilson	TOLERANCE	Mason	DATE	17.03.2024
APPD:	Schumi			FINISH	Jamy		Sheet No.		4 from 4

Customer: