

Data Sheet

Wafer Terminal Block

Pitch: 5,00 mm

Serie: A14L138

Customer Information for special Item

EDCON Customer : xxxxxx

Customer Version No. : xx



Technical Discription

Electrical:

Rated voltage:
Rated current:
Withstanding Voltage: AC/1min:
Operating Temperature:
Insulation Resistance:

UL	IEC	VDE
300V		300V
15A		15A
1600V		1600V
-40°C ~ +115°C		
1000M Ohm @ DC500V		

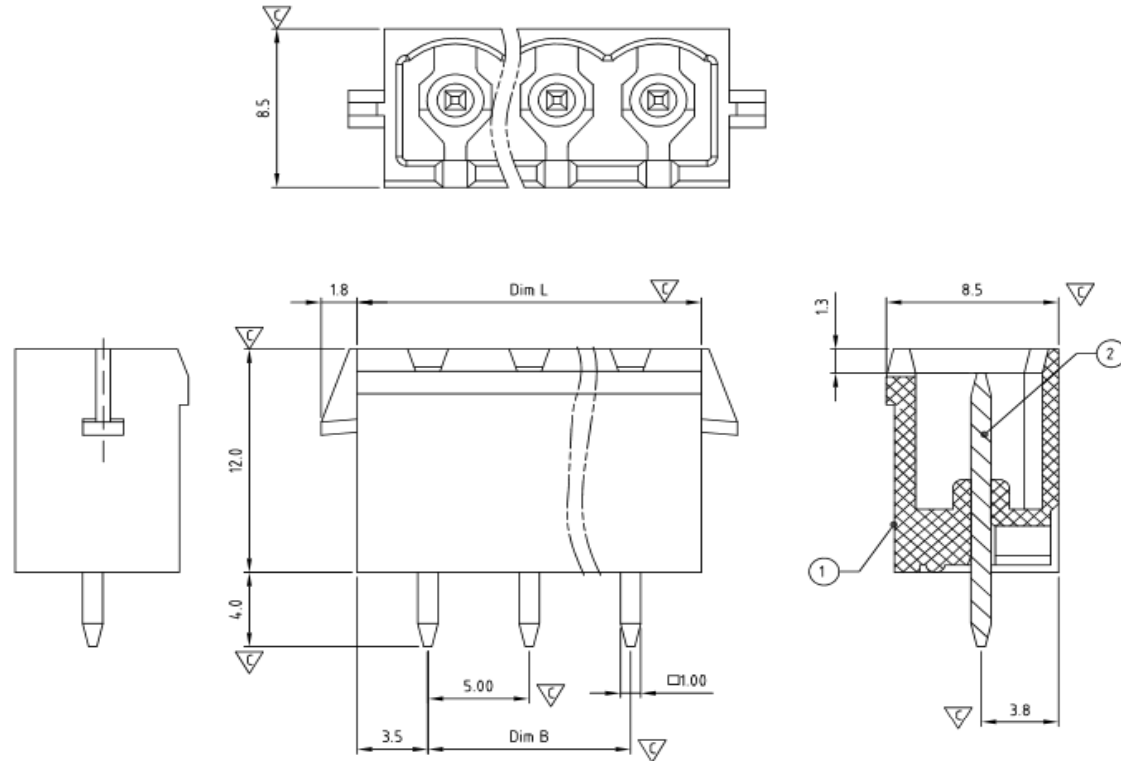
Mechanical:

Strip length: mm
Wire range: Solid wire: AWG
Wire range: Stranded wire:AWG

Material:

Housing Terminal Body: Thermoplastik UL94V-0
Material Screw: Stainless steel
Material Terminal: Copper Matte Tin plated over Nickel

Drawing (Dimension in mm)



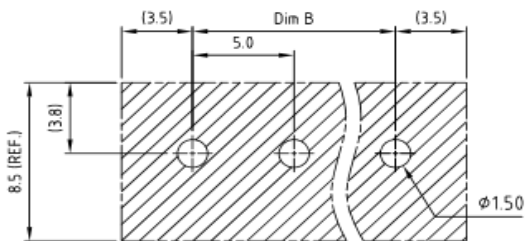
Item No.		
1		
2		
3		
4		
5		
6		
7		
8		
9		

Tolerances unless otherwise specified (mm)				
0~30	30~60	60~90	>90	Angle
±0,20	±0,25	±0,30	±0,40	±3°
DRW: Jason	CHKD: Wilson	MATL: Wilson	DATE: 28.04.2022	
APPD: Schumi	FINISH: Jamy		Sheet No. 1 from 4	

Wafer Terminal Block	
Part No.:	A14L138
Customer:	



PCB Layout



Dimensions / Tolerance (mm)

Wafer Terminal Block	
Part No.:	A14L138
Customer:	

DRW:	Jason	CHKD	Wilson	MATL:	Wilson	TOLERANCE	Mason	DATE	28.04.2022
APPD:	Schumi			FINISH	Jamy		Sheet No.		2 from 4

EDCON-COMPONENTS



Ordering Informations

Serie	No. of Pos.	Body Color	No Function	Approval Code	ROHS	Packing	EDCON Cust. No.	Customer Version		
A14L138	02	PG	N	N	R	B	XXXXXX	XX		

Pitch
5,00

02= Number of Pos. Standard 2~24 Pos.	PG= Phoenix Green (Standard) WH= White GN= Green GY= Gray LG= Light Gray OR= Orange BL= Blue BK= Black	N= No function	N= NON Approval 1= UL-Approval for Material A= UL /UR Approval Please consult EDCON for available B= VDE Approval Please consult EDCON for available C= TÜV Approval Please consult EDCON for available	R= ROHS Conform N= NON ROHS Conform	B= Bulk-Ware I= Individual Package	XXXXXX= Customer Number	XX= Customer Version ??(Printing)
---	---	-----------------------	--	--	---	--------------------------------	---

Wafer Terminal Block
Part No.: A14L138
Customer:

DRW:	Jason	CHKD	Wilson	MATL:	Wilson	TOLERANCE	Mason	DATE	28.04.2022
APPD:	Schumi			FINISH	Jamy		Sheet No.		3 from 4

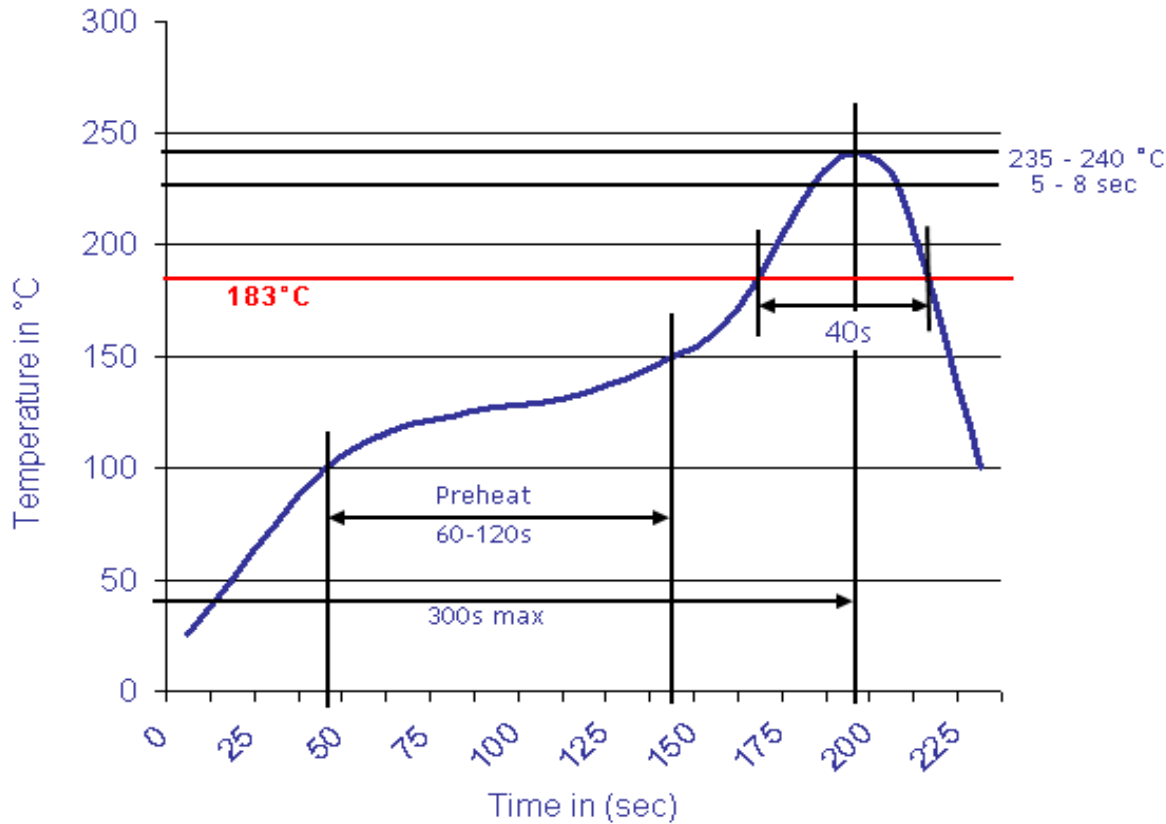
www.edcon-components.com

email: info@edcon-components.com



Soldering Profile Curve

Classification Reflow Profile (JEDEC J-STD-020C)



Wafer Terminal Block	
Part No.:	A14L138
Customer:	

DRW:	Jason	CHKD	Wilson	MATL:	Wilson	TOLERANCE	Mason	DATE	28.04.2022
APPD:	Schumi			FINISH	Jamy		Sheet No.	4 from 4	