

Data Sheet

Pin Header for Pluggable Terminal Block 1,0/1,0mm

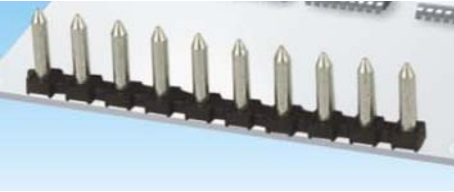
Pitch: 5,00 mm

Serie: A14L135

Customer Information for special Item

EDCON Customer : xxxxxx

Customer Version No. : xx



Technical Discription

Electrical:			
Rated voltage:	300V		
Rated current:	10A		
Withstanding Voltage: AC/1min:	2000V		
Operating Temperature:	-40°C ~ +105°C		
Insulation Resistance:	5000M Ω / DC1000V		
Contact Resistance:	20mΩ		

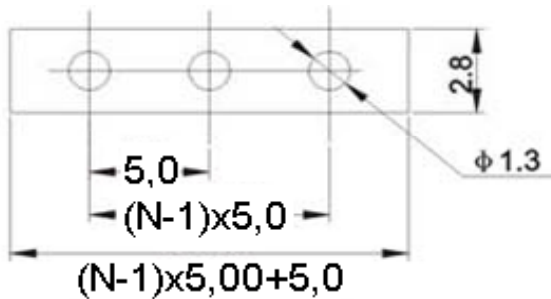
Mechanical:			

Material:
 Housing Terminal Body: PA66 + 10%GF, UL94V-0
 Pin Material Terminal: Brass Tin plated

Pin Header (Dimension in mm)

Order Code	Dimension (mm)		
	A	B	TL
A01	6,8	1,6	10,4
A02	7,8	4,20	14,0
A03			
A04			
A05			
A06			
A07			
A08			
A09			
A10			

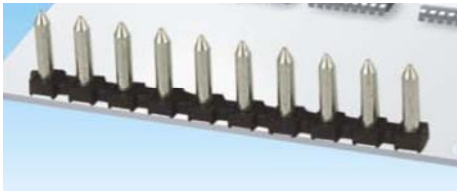
PCB Layout (mm)



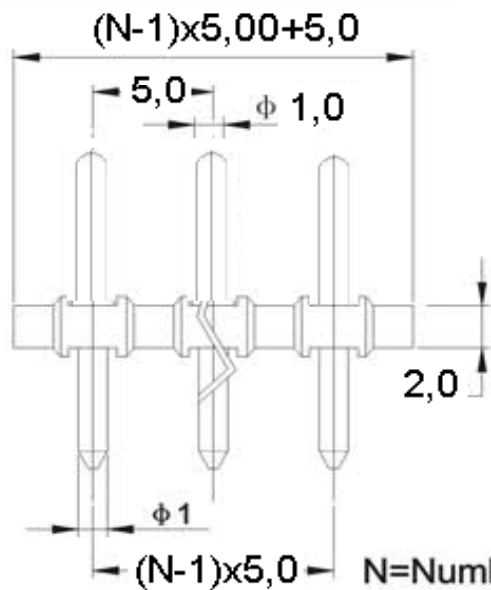
Tolerances unless otherwise specified (mm)				
x	x.x	x.xx	x.xxx	Angle
±	±	±	±	±3°
DRW:	Jason	CHKD	Wilson	MATL:
APPD:	Schumi		FINISH	Jamy
			Sheet No.	1 from 4

Pin Header for Pluggable Terminal Block 1,0/1,0mm	
Part No.:	A14L135
Customer:	

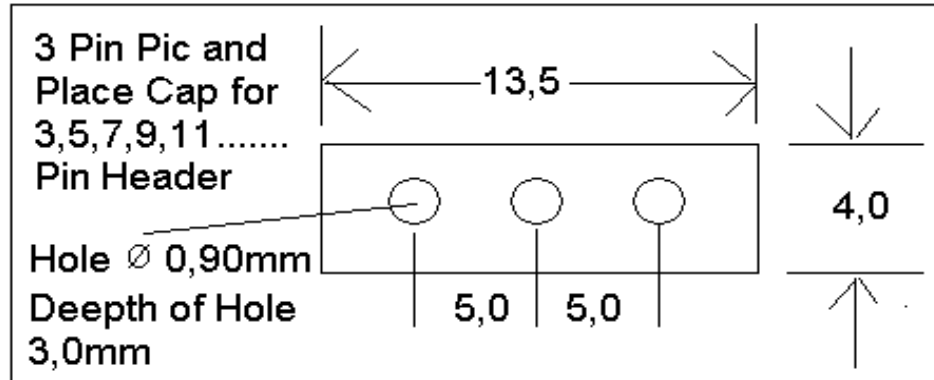
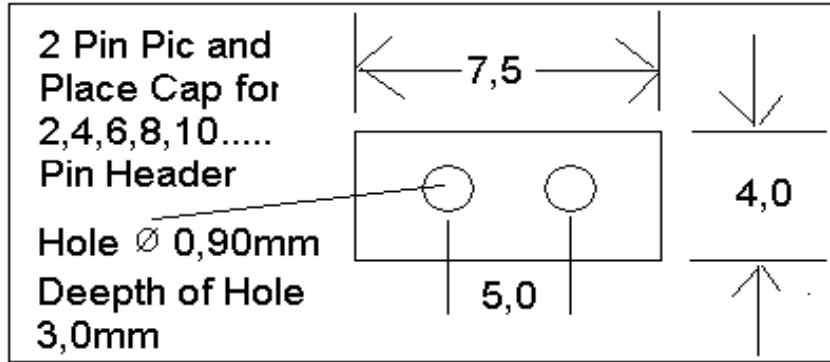
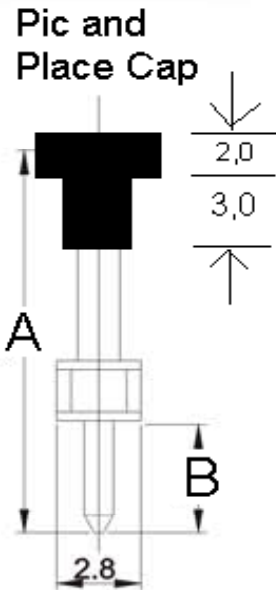
EDCON-COMPONENTS



Drawing (Dimension in mm)



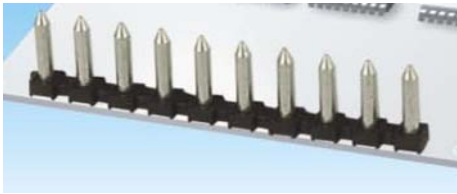
Pin length A + B look Dimension Table



Pin Header for Pluggable Terminal Block 1,0/1,0mm	
Part No.:	A14L135
Customer:	

DRW:	Jason	CHKD	Wilson	MATL:	Wilson	TOLERANCE	Mason	DATE	20.07.2021
APPD:	Schumi			FINISH	Jamy		Sheet No.		2 from 4

EDCON-COMPONENTS



Ordering Informations

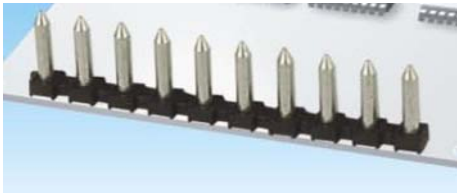
Serie	No. of Pos.	Pin Header order Code	Body Color	Approval Code	ROHS	Packing	EDCON Cust. No.	Customer Version		
A14L135	XX	Axx	BK	N	R	TR	xxxxxxx	xx		

Pitch
5,00

XX= Number of Pos. 2~24	Axx= look Pin Length order code table	BK= Black	N= NON Approval	R= ROHS Conform	B= Bulk-Ware	xxxxxxx= Customer Number	xx= Customer Version ??(Printing)
		GY= Gray		N= NON ROHS Conform	I= Individual Package		
					TR= Tape Reel Packing with PIC and Place Cap		

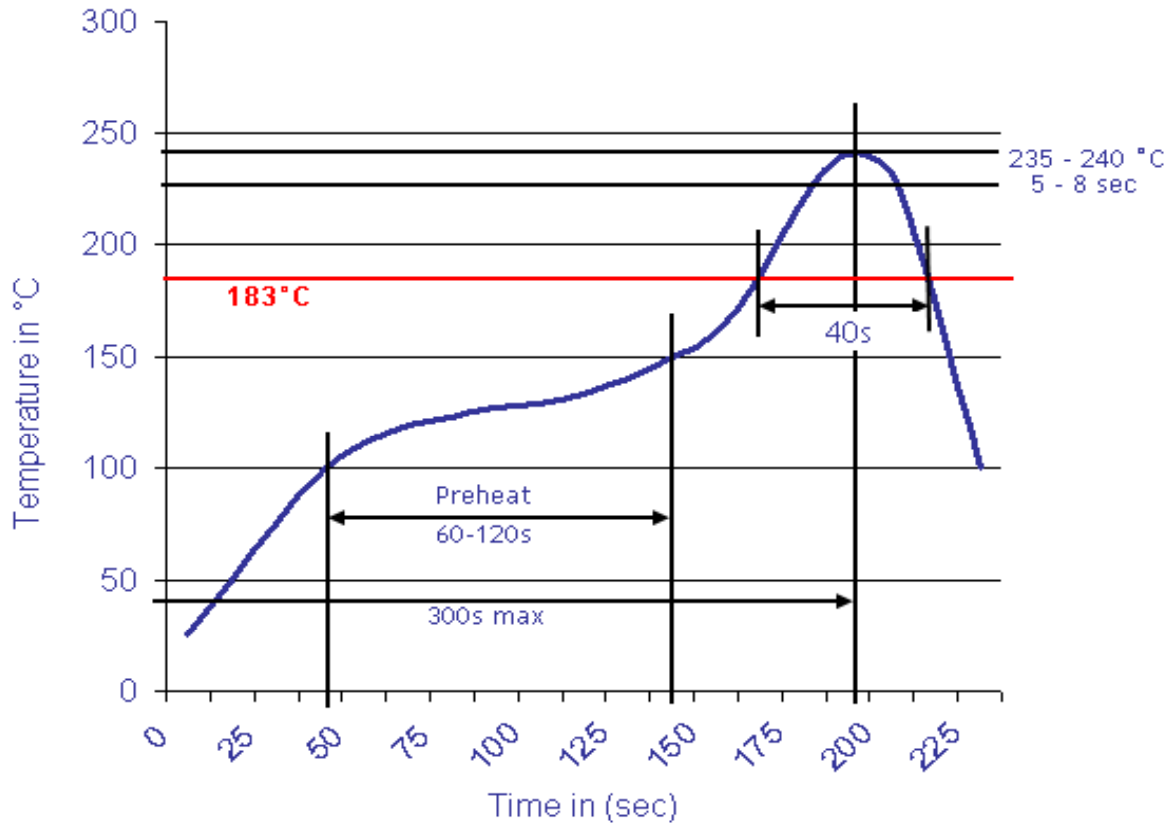
Pin Header for Pluggable Terminal Block 1,0/1,0mm
 Part No.: **A14L135**
 Customer:

DRW:	Jason	CHKD	Wilson	MATL:	Wilson	TOLERANCE	Mason	DATE	20.07.2021
APPD:	Schumi			FINISH	Jamy		Sheet No.		3 from 4



Soldering Profile Curve

Classification Reflow Profile (JEDEC J-STD-020C)



Pin Header for Pluggable Terminal Block 1,0/1,0mm	
Part No.:	A14L135
Customer:	

DRW:	Jason	CHKD	Wilson	MATL:	Wilson	TOLERANCE	Mason	DATE	20.07.2021
APPD:	Schumi			FINISH	Jamy		Sheet No.		4 from 4