

Data Sheet

Pluggable Terminal Block w. Screw Fixed

Pitch: 5,00 mm

Serie: A14L102

Customer Information for special Item

EDCON Customer : 0

Customer Version No. : 0

EDCON-COMPONENTS



Technical Discription

Drawing (Dimension in mm)

Electrical

Standard	UL	IEC
Rated voltage	300V	300V
Rated current	20A	20A
Wire range	24-12 AWG	2.5mm ²
Withstanding voltage	1.6KV	2.5KV

Mechanical

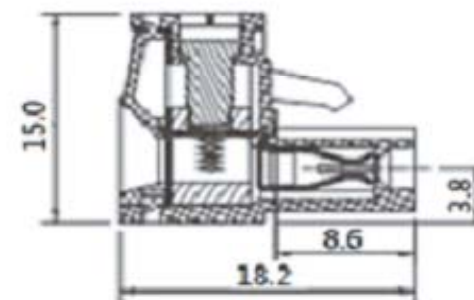
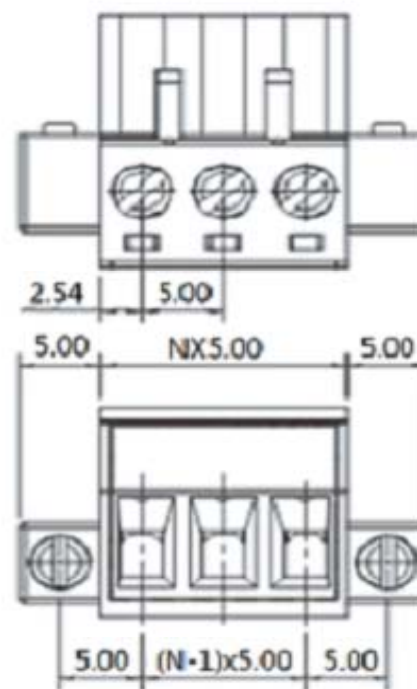
Ambient temperature	-40°C ~ +115°C
Strip length	7~8mm
Screw, Torque	M3, 0.5Nm (5Lb-In.)

Dimensions

Pitch	5.00mm
Poles	2P - 24P

Material

Housing	Thermoplastic (UL94V-0)
Contact	Brass
Cage	steel Zinc
Terminal screw	steel, Cr ³⁺ Zn plated



Otherwise unspesified Tolerance				
Pol	2P ~ 6P	7P ~ 12P	13P ~ 18P	19P ~ 24P
Tol.	.+/- 0,10	.+/- 0,20	.+/- 0,30	.+/- 0,40
DRW:	Jason	CHKD	Wilson	MATL:
APPD:	Schumi			FINISH

Pluggable Terminal Block w. Screw Fixed	
Part No.:	A14L102
Customer:	

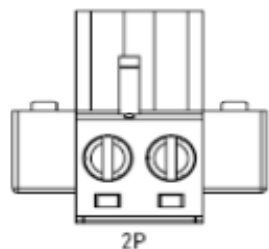
Wilson	TOLERANCE	Mason	DATE	03.03.2017
Jamy		Sheet No.	1 from 3	

EDCON-COMPONENTS



Layout (Dimension in mm)

Dimensions (mm)



No. of Pos.		Tol. P
02	15,00	± 0,35
03	20,00	± 0,35
04	25,00	± 0,35
05	30,00	± 0,35
06	35,00	± 0,35
07	40,00	± 0,35
08	45,00	± 0,35
09	50,00	± 0,35
10	55,00	± 0,35
11	60,00	± 0,35
12	65,00	± 0,35
13	70,00	± 0,35
14	75,00	± 0,35
15	80,00	± 0,35
16	85,00	± 0,35
17	90,00	± 0,35
18	95,00	± 0,35
19	100,00	± 0,35
20	105,00	± 0,35
21	110,00	± 0,35
22	115,00	± 0,35

**Pluggable Terminal Block
w. Screw Fixed**

Part No.: **A14L102**

DRW:	Jason	CHKD	Wilson	MATL:	Wilson	TOLERANCE	Mason	DATE	03.03.2017	Customer:
APPD:	Schumi			FINISH	Jamy		Sheet No.	2 from 3		

EDCON-COMPONENTS



Ordering Informations

Serie	No. of Pos.	Body Color	Approval	Approval Code	ROHS	Packing	EDCON Cust. No.	Customer Version		
-------	-------------	------------	----------	---------------	------	---------	-----------------	------------------	--	--

A14L102	02	GN	N	N	R	B				
----------------	-----------	-----------	----------	----------	----------	----------	--	--	--	--

Pitch 5,00	02 = Number of Pos. Standard 2 ~ 24Pos.	GY = Gray (Standard) GN = Green OR = Orange BK = Black	N = No Approval 1 = Approval for Material 2 = Approval for Terminal Block	N = NON Approval A = UL /UR Approval Please consult EDCON for available B = VDE Approval Please consult EDCON for available C = TÜV Approval Please consult EDCON for available	R = ROHS Conform N = NON ROHS Conform	B = Standard Package I = Individual Package	xxxxxx = Customer Number	xxx = Customer Version ??(Printing)		
---------------	---	---	--	--	--	--	---------------------------------	--	--	--

**Pluggable Terminal Block
w. Screw Fixed**

Part No.: **A14L102**

DRW:	Jason	CHKD	Wilson	MATL:	Wilson	TOLERANCE	Mason	DATE	03.03.2017
APPD:	Schumi			FINISH	Jamy			Sheet No.	3 from 3

Customer: