

# Data Sheet

## Pluggable Terminal Block (Plug) NOT assembled

**Pitch: 3,50 mm**

**Serie: A14G300**

### Customer Information for special Item

**EDCON Customer : 0**

**Customer Version No. : 0**

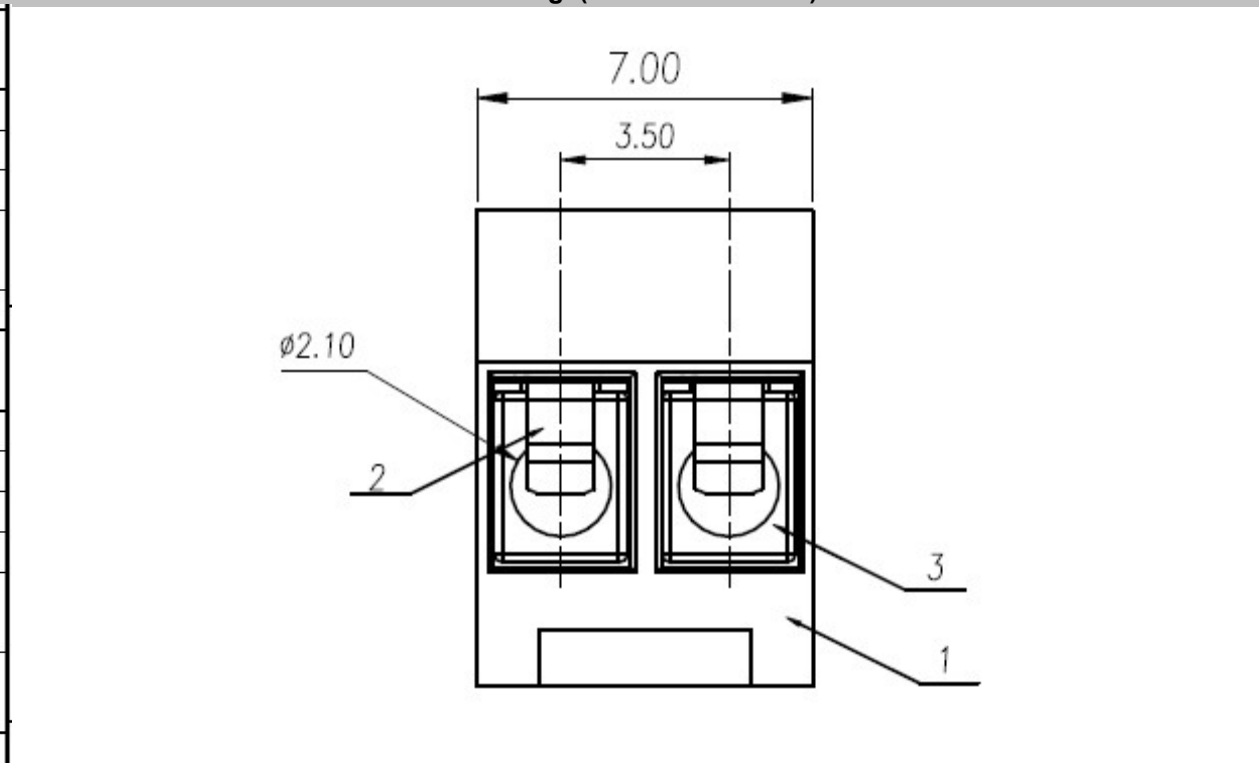
# EDCON-COMPONENTS



## Technical Discription

## Drawing (Dimension in mm)

UL/CUL	技术 参数	<b>cUL<sup>®</sup>us</b>		
UL/CUL	Technical Data			
等级	Use Group	B	C	D
额定电压	Rated Voltage [V]	300	-	300
额定电流	Rated Current [A]	8	-	8
接线范围	Wire Range	28-16		
单/多芯线	Solid/Stranded [AWG]			
耐电压	Withstanding Voltage	1600V/1Min		
IEC 技术参数		IEC60947-7-4		
IEC Technical Data				
过电压类别	Overvoltage Category	III	III	II
污染等级	Contamination Class	3	2	2
额定电压	Rated Voltage [V]	160	250	250
额定电流	Rated Current [A]	8	8	8
额定冲击电压	Impulse withstand voltage [KV]	2.5	2.5	2.5
导线截面积	Conductor cross section	0.2-1.0		
硬质/柔性导线	Solid/ flexible [mm <sup>2</sup> ]			
一般参数 Other Data				
间距 Pitch /极数 Poles	[mm] / [P]	3.5 / 02		
剥线长度 Stripping Length	[mm]	5~6		
螺丝 Screw/ 扭矩 Torque(Max)	[N.m]	M2/0.2		
工作温度 Operating temperature	[°C]	-40~105		
符合RoHS环保要求。				



General Tolerances										
		over 6	over 10	over 30	over 60	over 100	over 160	over 10	over 100	
variable range	to 6	to 10	to 30	to 60	to 100	to 160	to 10	to 100	to 100	
tolerance	±0.20	±0.30	±0.50	±0.70	±1.00	±1.30	±1.60	0.10	0.30	0.60

**Pluggable Terminal Block (Plug) NOT assembled**

Part No.: **A14G300**

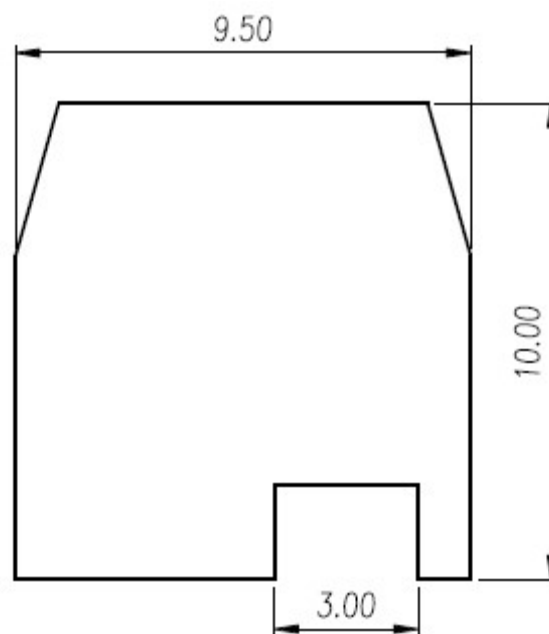
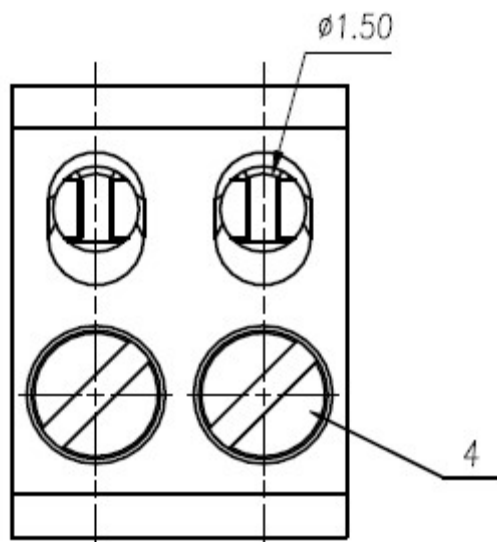
DRW:	Jason	CHKD:	Wilson	MATL:	Wilson	TOLERANCE:	Mason	DATE:	03.06.2026
APPD:	Schumi			FINISH:	Jamy		Sheet No.		1 from 3

Customer:

# EDCON-COMPONENTS



## Dimension Tolerance (mm)



4	Screw	Steel	M2/Zn Plated
3	Cage	Copper Alloy	M2/ Ni Plated
2	Clamp	Copper Alloy	Sn Plated
1	Housing	PA66	UL94V-0
ITEM	NAME OF PART	MATERIAL	NOTES

<b>Pluggable Terminal Block (Plug) NOT assembled</b>	
Part No.:	<b>A14G300</b>
Customer:	

DRW:	Jason	CHKD	Wilson	MATL:	Wilson	TOLERANCE	Mason	DATE	03.06.2026
APPD:	Schumi			FINISH	Jamy		Sheet No.		2 from 3

[www.edcon-components.com](http://www.edcon-components.com)

email: [info@edcon-components.com](mailto:info@edcon-components.com)



# EDCON-COMPONENTS



## Ordering Informations

Serie	No. of Pos.	Body Color	Screw Type	Approval Code	ROHS	Packing	EDCON Cust. No.	Customer Version		
<b>A14G300</b>	<b>02</b>	<b>PG</b>	<b>A</b>	<b>N</b>	<b>R</b>	<b>B</b>				

Pitch  
3,50

<b>02</b> = Number of Pos. Standard 2+3 ~ 24Pos.	<b>PG</b> = Phoenix Green (Standard)	<b>A</b> = Slotted Screw Type (Standard) 	<b>N</b> = NON Approval  <b>A</b> = UL /UR Approval Please consult EDCON for available  <b>B</b> = VDE Approval Please consult EDCON for available  <b>C</b> = TÜV Approval Please consult EDCON for available	<b>R</b> = ROHS Conform  <b>N</b> = NON ROHS Conform	<b>B</b> = Bulk-Ware  <b>I</b> = Individual Package	<b>xxxxxx</b> = Customer Number  <b>xxx</b> = Customer Version ??(Printing)
	<b>WH</b> = White					
	<b>GN</b> = Green	<b>B</b> = Cross Slotted Screw Type 				
	<b>GY</b> = Gray					
	<b>LG</b> = Light Gray					
	<b>OR</b> = Orange					
	<b>BL</b> = Blue					
<b>BK</b> = Black						

<b>Pluggable Terminal Block (Plug) NOT assembled</b>	
Part No.:	<b>A14G300</b>
Customer:	

DRW:	Jason	CHKD	Wilson	MATL:	Wilson	TOLERANCE	Mason	DATE	03.06.2026
APPD:	Schumi			FINISH	Jamy		Sheet No.		3 from 3