

Data Sheet

Pin Header for Pluggable Terminal Block 1,3/1,0mm

Pitch: 3,50 mm

Serie: A14G154

Customer Information for special Item

EDCON Customer : xxxxxx

Customer Version No. : xx

EDCON-COMPONENTS



Technical Discription

Electrical:

Rated voltage:	300V		
Rated current:	10A		
Withstanding Voltage: AC/1min:	2000V		
Operating Temperature:	-40°C ~ +105°C		
Insulation Resistance:	5000M Ω / DC1000V		
Contact Resistance:	20mΩ		

Mechanical:

Material:

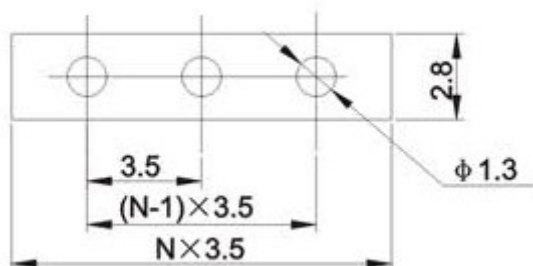
Housing Terminal Body: PA66 + 10%GF, UL94V-0

Pin Material Terminal: Brass Tin plated

Pin Header (Dimension in mm)

Order Code	Dimension (mm)		
	A	B	TL
A01	6,8	1,6	9,8
A02	7,0	3,6	12,0
A03			
A04			
A05			
A06			
A07			
A08			
A09			
A10			

PCB Layout (mm)



Tolerances unless otherwise specified (mm)

x	x.x	x.xx	x.xxx	Angle
±	±	±	±	±3°

Pin Header for Pluggable Terminal Block 1,3/1,0mm

Part No.: **A14G154**

DRW:	Jason	CHKD:	Wilson	MATL:	Wilson	TOLERANCE:	Mason	DATE:	19.04.2024
APPD:	Schumi			FINISH:	Jamy		Sheet No.		1 from 4

Customer:

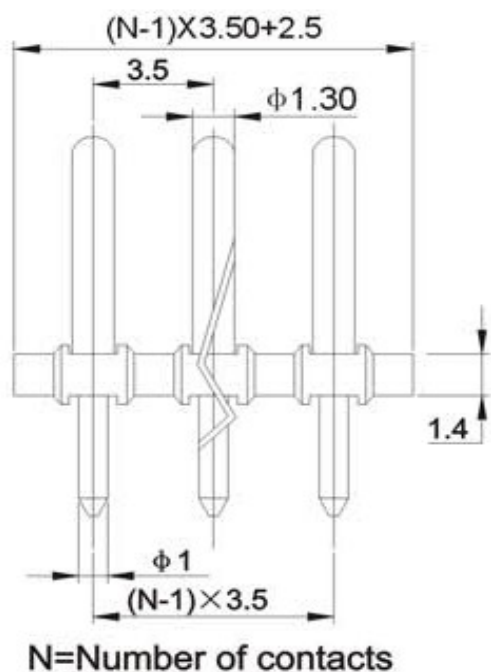
www.edcon-components.com

email: info@edcon-components.com

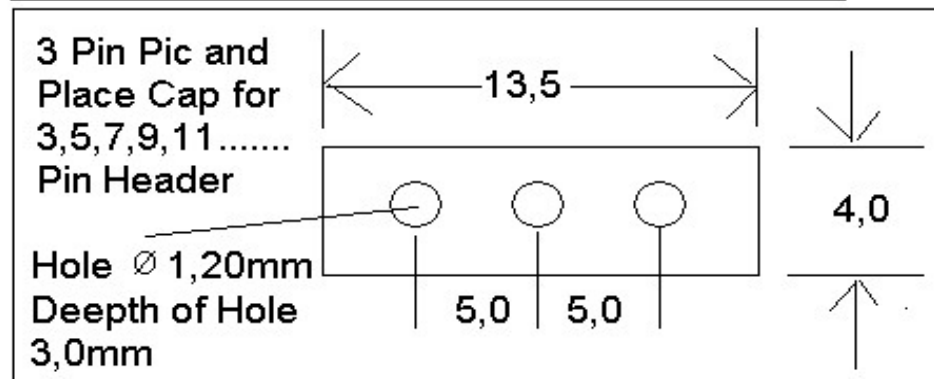
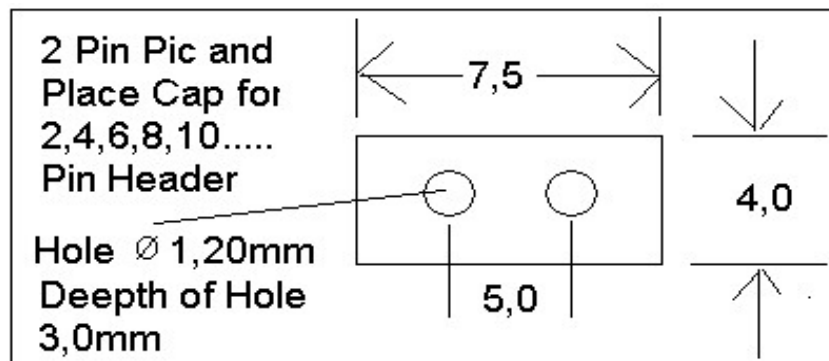
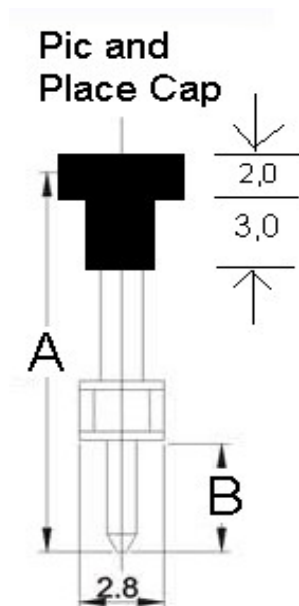
EDCON-COMPONENTS



Drawing (Dimension in mm)



Pin length A + B look Dimension Table



Pin Header for Pluggable Terminal Block 1,3/1,0mm	
Part No.:	A14G154
Customer:	

DRW:	Jason	CHKD	Wilson	MATL:	Wilson	TOLERANCE	Mason	DATE	19.04.2024
APPD:	Schumi			FINISH	Jamy		Sheet No.		2 from 4

www.edcon-components.com

email: info@edcon-components.com

EDCON-COMPONENTS



Ordering Informations

Serie	No. of Pos.	Pin Header order Code	Body Color	Approval Code	ROHS	Packing	EDCON Cust. No.	Customer Version		
A14G154	XX	Axx	BK	N	R	TR	xxxxxx	xx		

Pitch
3,50

XX= Number of Pos. 2~24	Axx= look Pin Length order code table	BK= Black	N= NON Approval	R= ROHS Conform	B= Bulk-Ware	xxxxxx= Customer Number	xx= Customer Version ??(Printing)
		GY= Gray		N= NON ROHS Conform	I= Individual Package		
					TR= Tape Reel Packing with PIC and Place Cap		

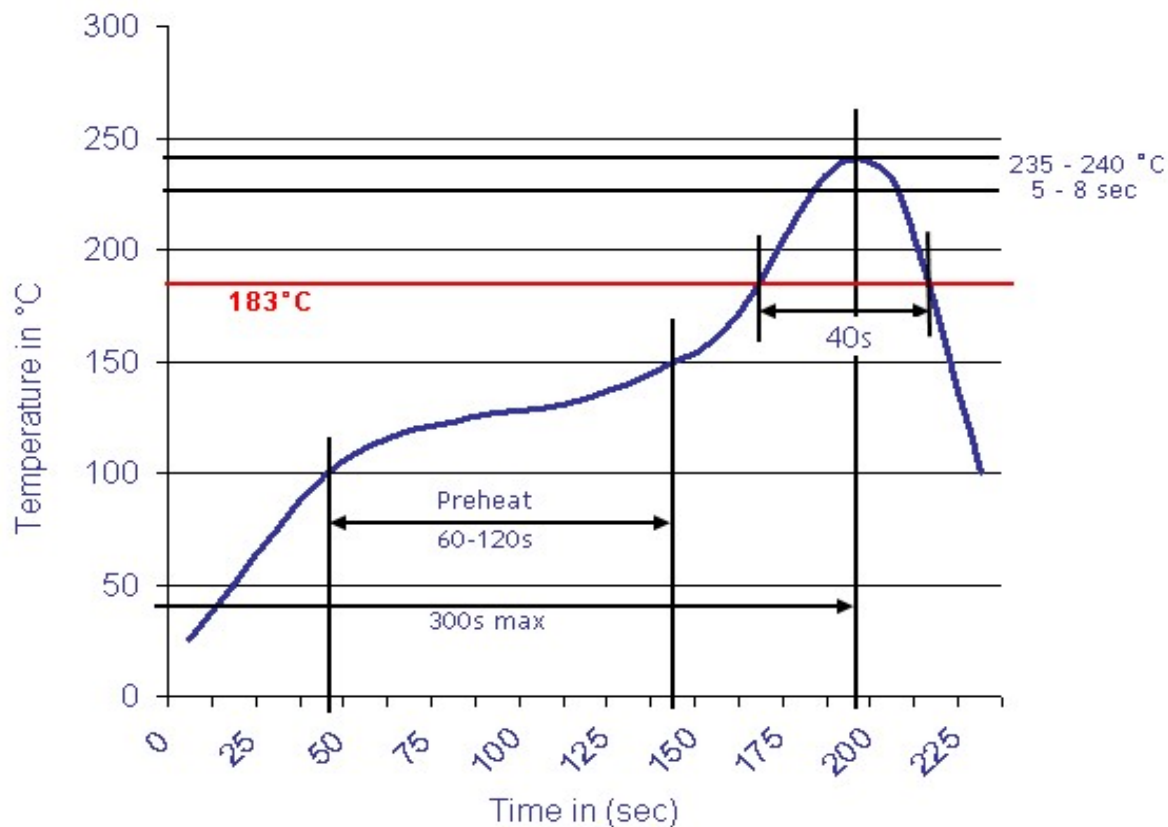
Pin Header for Pluggable Terminal Block 1,3/1,0mm	
Part No.:	A14G154
Customer:	

DRW:	Jason	CHKD	Wilson	MATL:	Wilson	TOLERANCE	Mason	DATE	19.04.2024
APPD:	Schumi			FINISH	Jamy		Sheet No.		3 from 4



Soldering Profile Curve

Classification Reflow Profile (JEDEC J-STD-020C)



Pin Header for Pluggable Terminal Block 1,3/1,0mm	
Part No.:	A14G154
Customer:	

DRW:	Jason	CHKD	Wilson	MATL:	Wilson	TOLERANCE	Mason	DATE	19.04.2024
APPD:	Schumi			FINISH	Jamy		Sheet No.		4 from 4