

# Data Sheet

**Wafer Dual Row Straight Terminal Block THR 2,60mm**

**Pitch: 3,50 mm**

**Serie: A14G129**

**Customer Information for special Item**

**EDCON Customer : xxxxxx**

**Customer Version No. : xx**

# EDCON-COMPONENTS



## Technical Discription

### 技术数据-UL/CUL

等级 Use Group	B	C	D
额定电压 Rate Voltage [V]	300	-	-
额定电流 Rated Current [A]	8	-	-
接线范围 Wire Range [AWG]	/		
耐电压 Dielectric Voltage-Withstand	1.6KV		

### 技术参数-IEC

过电压类别 Overvoltage Category	III	III	II
污染等级 Contamination Class	3	2	2
额定电压 Rated Voltage [V]	160	160	250
额定电流 Rated Current [A]	8	8	8
额定冲击电压 Impulse withstand voltage [KV]	2.5	2.5	2.5
导线截面积(硬/柔) Conductor cross section [mm²]	/		

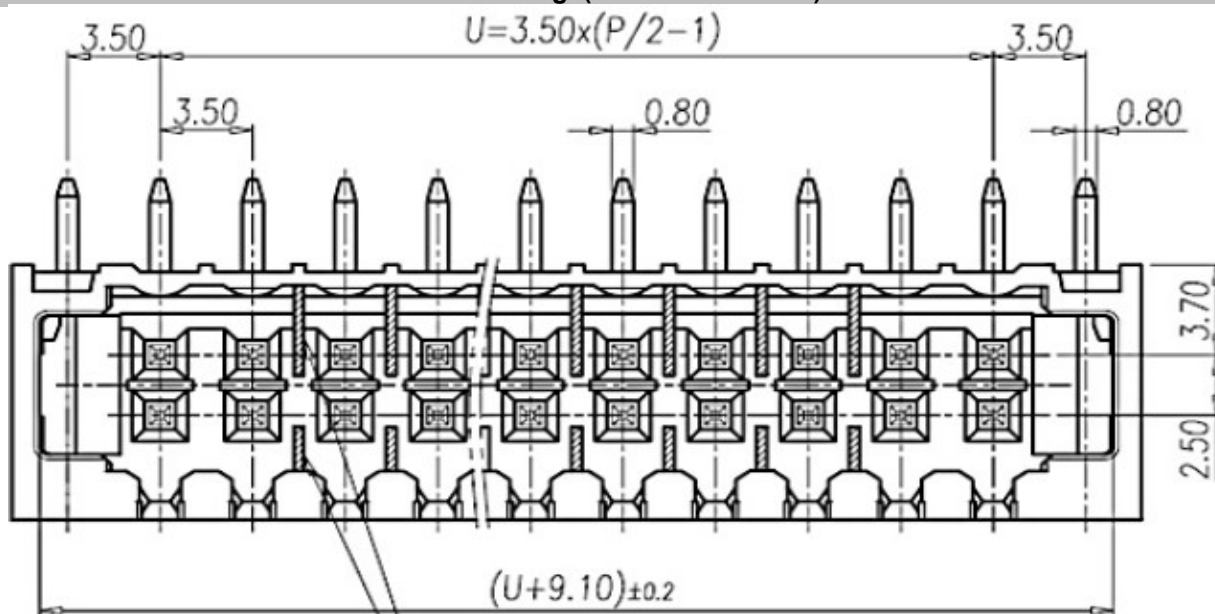
### 材料 Material

绝缘材料 Insulation Material	LCP
阻燃等级 Flame retardant rating	UL94V-0
导体材料 Conductor Material	Copper alloy
导体表面镀层 Plating of conductor surface	Sn plated

### 一般参数 Other Data

间距/极数 Pitch/Poles [mm]/[P]	3.5 , 3.81/2*2-2*24
剥线长度 Stripping Length [mm]	/
螺丝/扭矩 Screw/Torque(Max)[N.m]	/
工作温度 Operating temperature [°C]	-40~+130
焊锡温度 Soldering temperature	285°C/10S
引针尺寸 Pin dimensions [mm]	0.8*0.8
PCB板孔径 PCB Hole Diameter [mm]	Ø1.4

## Drawing (Dimension in mm)



阴影肋的数量表

P	6	8	10	12	14	16	18	20	22
肋数量	6-18P之间都有肋								7 8
P	24	26	28	30	32	34	36	38	40
肋数量	7	8	7	8	7	8	9	10	11

### Tolerances unless otherwise specified (mm)

X	X.X	X.XX	X.XXX	Angle
±	±	±	±	±3°
DRW:	Jason	CHKD	Wilson	MATL:
APPD:	Schumi			FINISH
Wilson	TOLERANCE	Mason	DATE	03.05.2026
Jamy			Sheet No.	1 from 4

### Wafer Dual Row Straight Terminal Block THR 2,60mm

Part No.: **A14G129**

Customer:

[www.edcon-components.com](http://www.edcon-components.com)

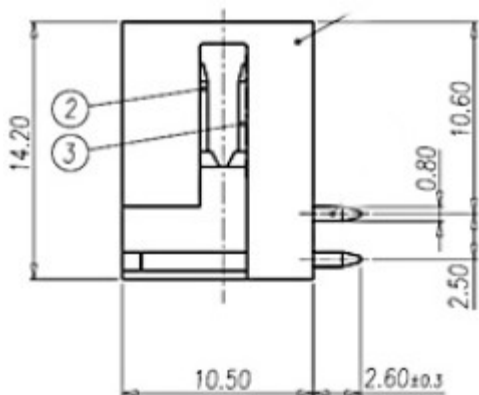
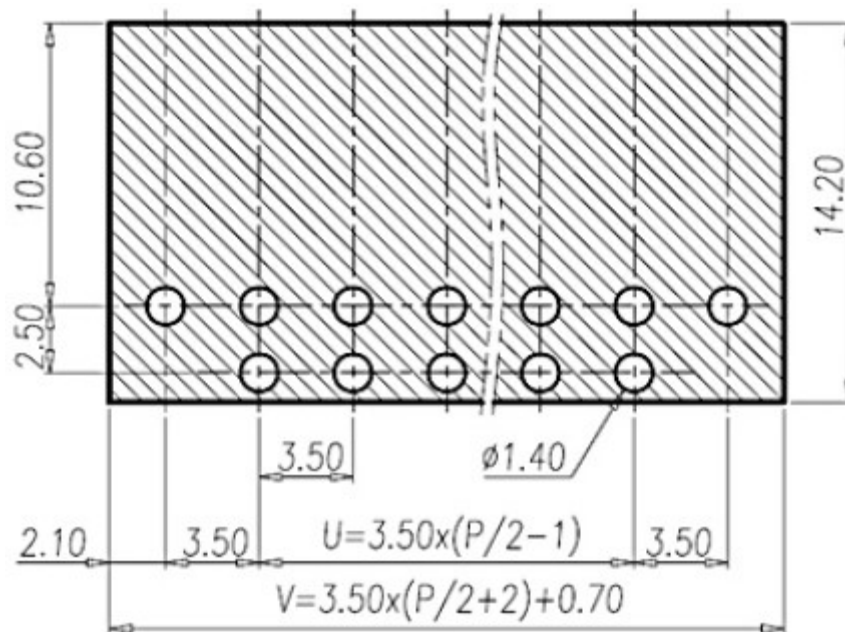
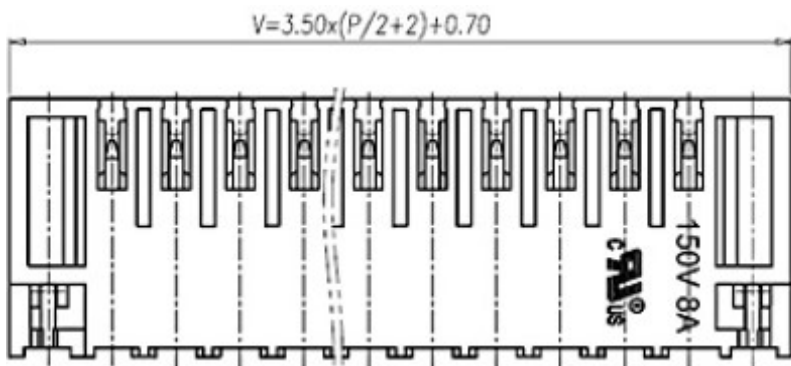
email: [info@edcon-components.com](mailto:info@edcon-components.com)

# EDCON-COMPONENTS



Drawing (Dimension in mm)

PCB Layout (unit /mm) PCB View



<b>Wafer Dual Row Straight Terminal Block THR 2,60mm</b>	
Part No.:	<b>A14G129</b>
Customer:	

DRW:	Jason	CHKD:	Wilson	MATL:	Wilson	TOLERANCE:	Mason	DATE:	03.05.2026
APPD:	Schumi			FINISH:	Jamy		Sheet No.		2 from 4

[www.edcon-components.com](http://www.edcon-components.com)

email: [info@edcon-components.com](mailto:info@edcon-components.com)

# EDCON-COMPONENTS



## Ordering Informations

Serie	No. of Pos.	Body Color	Special function	Approval Code	ROHS	Packing	EDCON Cust. No.	Customer Version		
<b>A14G129</b>	<b>04</b>	<b>BK</b>	<b>N</b>	<b>N</b>	<b>R</b>	<b>B</b>	<b>xxxxxx</b>	<b>xx</b>		

Pitch  
3,50

02= Number of Pos.2x2P Standard 2x2 ~ 2x24Pos.	N= No special function	N= NON Approval 1= UL-Approval for Material	R= ROHS Conform N= NON ROHS Conform	B= Bulk-Ware I= Individual Package	xxxxxx= Customer Number xx= Customer Version ??(Printing)
BK= Black		B= VDE Approval Please consult EDCON for available			
		C= TÜV Approval Please consult EDCON for available			

<b>Wafer Dual Row Straight Terminal Block THR 2,60mm</b>	
Part No.:	<b>A14G129</b>
Customer:	

DRW:	Jason	CHKD	Wilson	MATL:	Wilson	TOLERANCE	Mason	DATE	03.05.2026
APPD:	Schumi			FINISH	Jamy		Sheet No.		3 from 4



## Soldering Profile

### Classification Reflow Profile (JEDEC J-STD-020C)



### Classification Reflow Profile (JEDEC J-STD-020C)



**Wafer Dual Row Straight  
Terminal Block THR 2,60mm**

Part No.: **A14G129**

Customer:

DRW:	Jason	CHKD	Wilson	MATL:	Wilson	TOLERANCE	Mason	DATE	03.05.2026
APPD:	Schumi			FINISH	Jamy		Sheet No.		4 from 4