

Data Sheet

Panel Mount Plug Single Row Terminal Block

Pitch: 2,54 mm

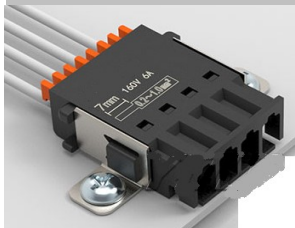
Serie: A14F042

Customer Information for special Item

EDCON Customer : xxxxxx

Customer Version No. : xx

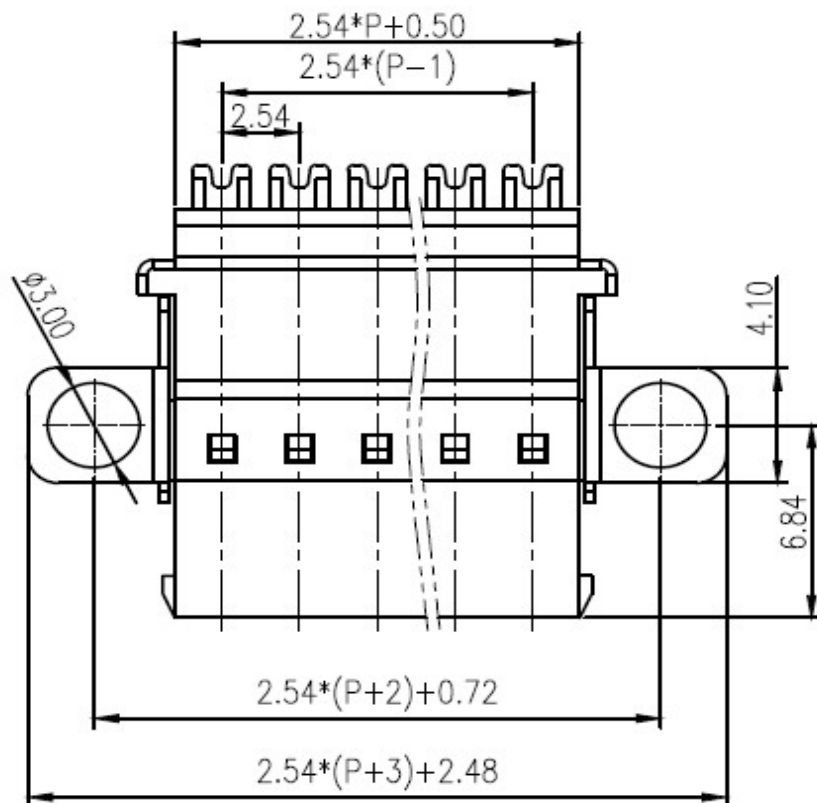
EDCON-COMPONENTS



Technical Discription

1. Voltage Rating: 160V, Current Rating: 6A
2. PITCH: 2.54mm
3. Insulation Withstands Voltage: AC2000V/min
4. Insulation Resistance: 500MΩ or more at DC500V
5. Using Temperature Range: -40°C ~ +105°C
6. Suitable Electric Wire: 26-20AWG

Drawing (Dimension in mm)



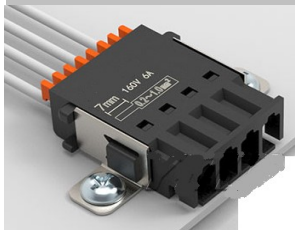
Tolerances unless otherwise specified (mm)				
X	X.X	X.XX	X.XXX	Angle
±	±	±	±	±3°
DRW:	Jason	CHKD	Wilson	MATL:
APPD:	Schumi			FINISH
				Jamy
				DATE
				03.05.2026
				Sheet No.
				1 from 4

Panel Mount Plug Single Row Terminal Block

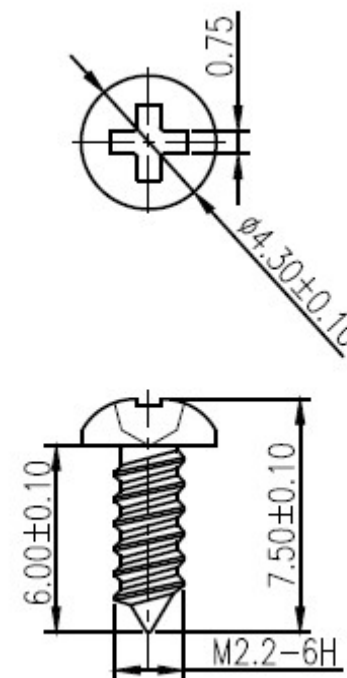
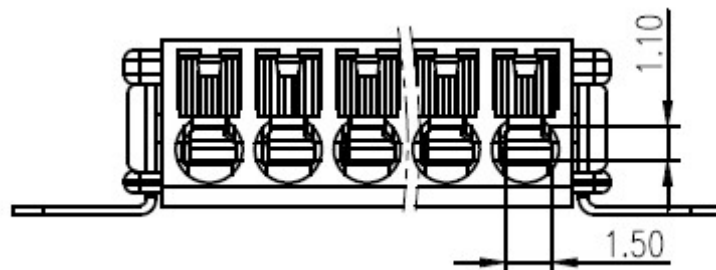
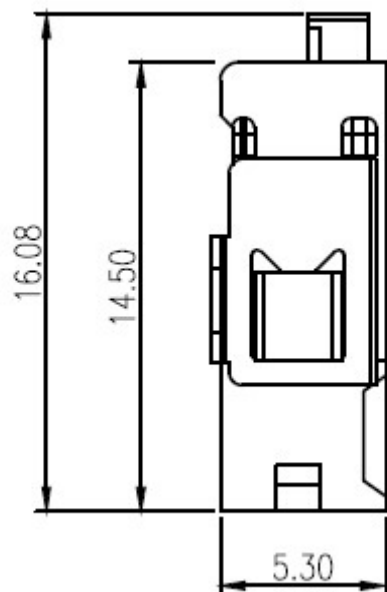
Part No.: **A14F042**

Customer:

EDCON-COMPONENTS



Drawing (Dimension in mm)



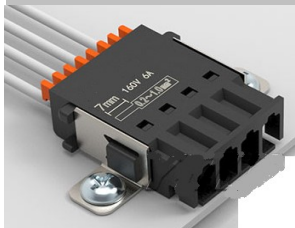
Panel Mount Plug Single Row Terminal Block	
Part No.:	A14F042
Customer:	

DRW:	Jason	CHKD	Wilson	MATL:	Wilson	TOLERANCE	Mason	DATE	03.05.2026
APPD:	Schumi			FINISH	Jamy		Sheet No.		2 from 4

www.edcon-components.com

email: info@edcon-components.com

EDCON-COMPONENTS



Ordering Informations

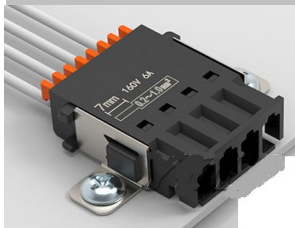
Serie	No. of Pos.	Body Color	Special function	Approval Code	ROHS	Packing	EDCON Cust. No.	Customer Version		
A14F042	02	BK	N	N	R	B	xxxxxx	xx		

Pitch
2,54

02 = Number of Pos. 1x2P		N = No special function	N = NON Approval	R = ROHS Conform	B = Bulk-Ware	xxxxxx = Customer Number	xx = Customer Version ??(Printing)
Standard 2 ~ xxPos.			1 = UL-Approval for Material	N = NON ROHS Conform	I = Individual Package		
			A = UL /UR Approval Please consult EDCON for available				
	BK = Black		B = VDE Approval Please consult EDCON for available				
			C = TÜV Approval Please consult EDCON for available				

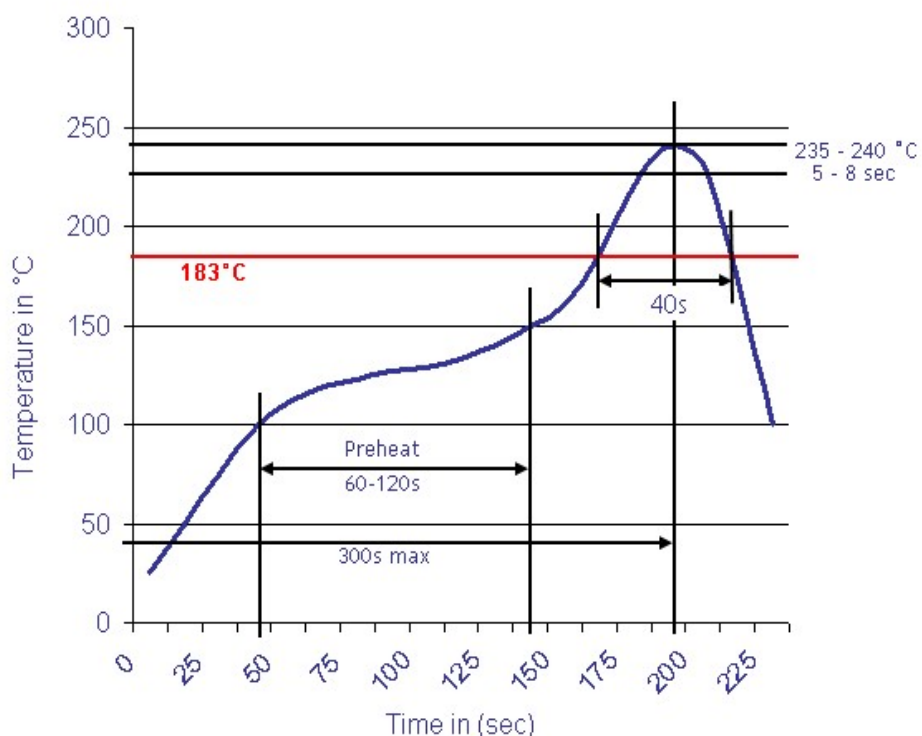
Panel Mount Plug Single Row Terminal Block	
Part No.:	A14F042
Customer:	

DRW:	Jason	CHKD	Wilson	MATL:	Wilson	TOLERANCE	Mason	DATE	03.05.2026
APPD:	Schumi			FINISH	Jamy		Sheet No.		3 from 4

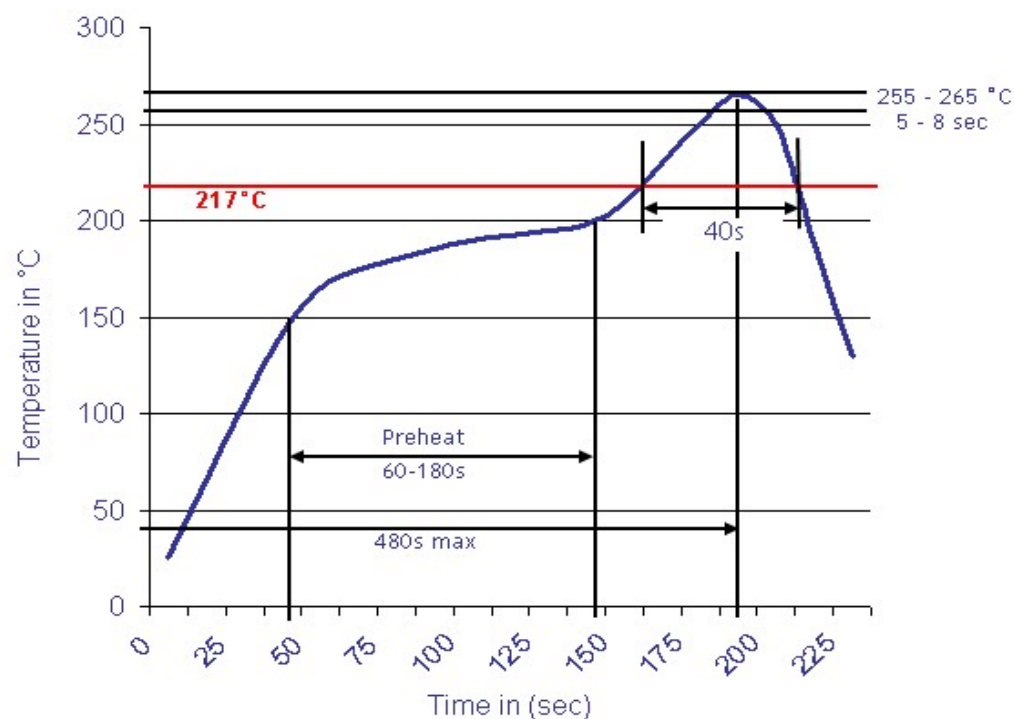


Soldering Profile

Classification Reflow Profile (JEDEC J-STD-020C)



Classification Reflow Profile (JEDEC J-STD-020C)



Panel Mount Plug Single Row Terminal Block

Part No.: **A14F042**

Customer:

DRW:	Jason	CHKD	Wilson	MATL:	Wilson	TOLERANCE	Mason	DATE	03.05.2026
APPD:	Schumi			FINISH	Jamy		Sheet No.		4 from 4