

# Data Sheet

## Panel Mount Plug Single Row Terminal Block

**Pitch: 2,54 mm**

**Serie: A14F041**

### Customer Information for special Item

**EDCON Customer : xxxxxx**

**Customer Version No. : xx**

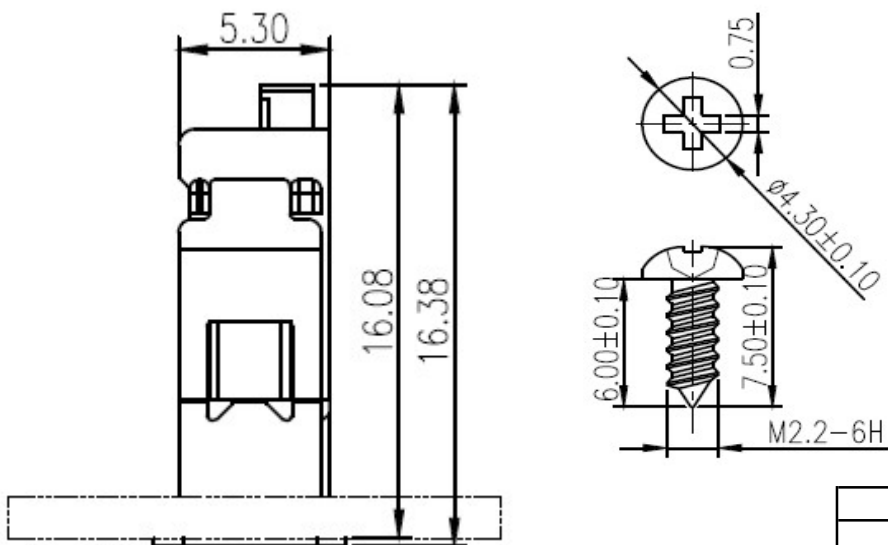
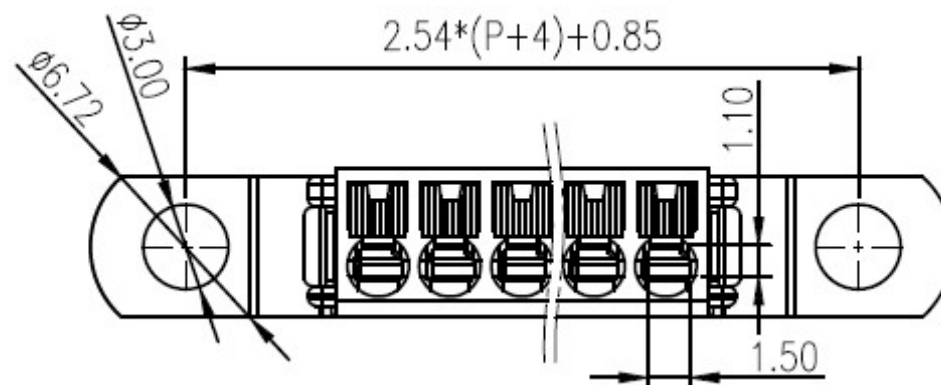
# EDCON-COMPONENTS



## Technical Discription

1. Voltage Rating: 160V, Current Rating: 6A
2. PITCH: 2.54mm
3. Insulation Withstands Voltage: AC2000V/min
4. Insulation Resistance: 500MΩ or more at DC500V
5. Using Temperature Range: -40°C ~ +105°C
6. Suitable Electric Wire: 26-20AWG

## Drawing (Dimension in mm)



Tolerances unless otherwise specified (mm)				
x	x.x	x.xx	x.xxx	Angle
±	±	±	±	±3°
DRW:	Jason	CHKD	Wilson	MATL:
APPD:	Schumi			FINISH
Wilson	TOLERANCE	Mason	DATE	03.05.2026
Jamy		Sheet No.	1 from 4	

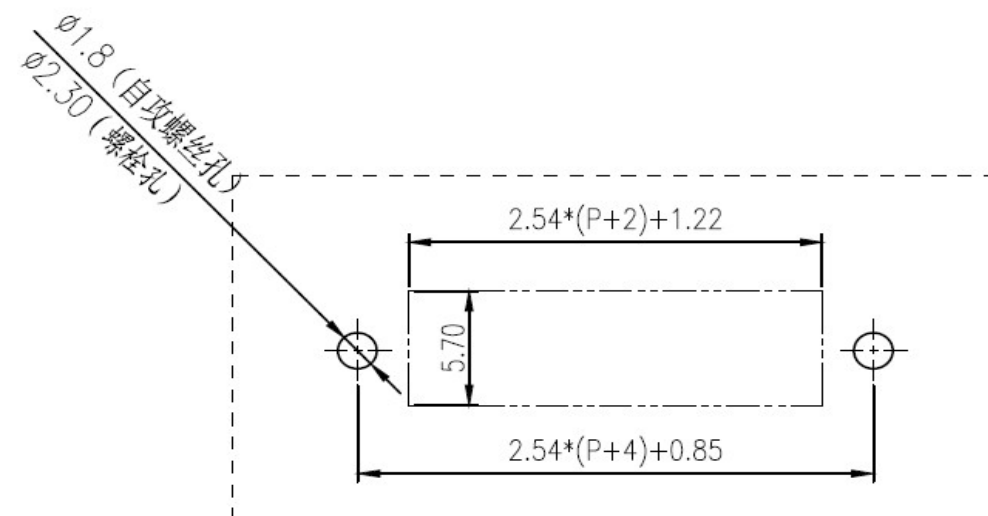
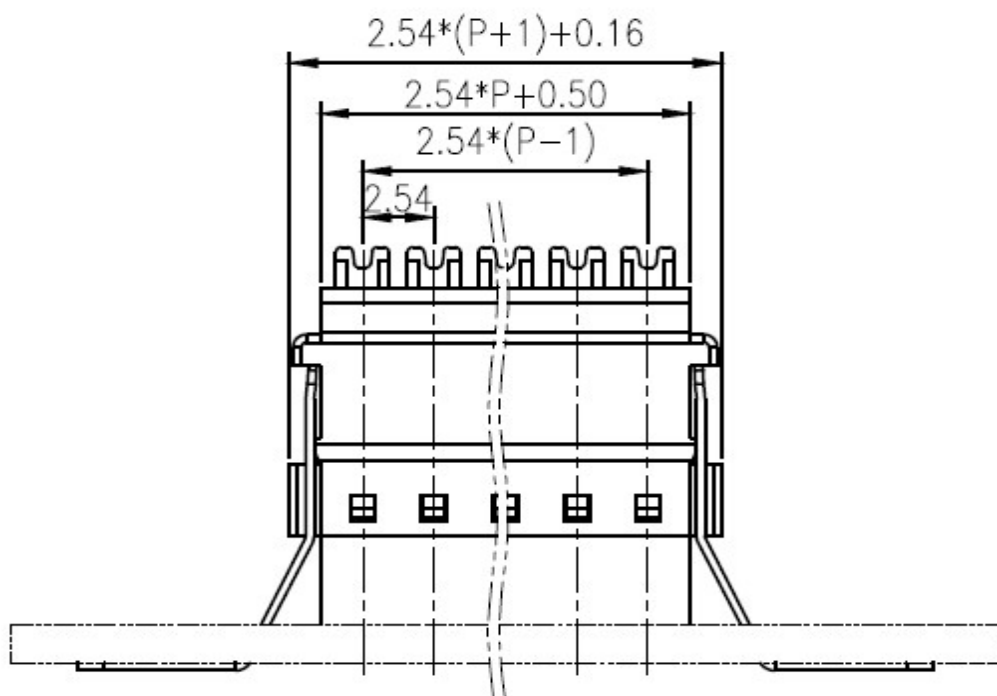
<b>Panel Mount Plug Single Row Terminal Block</b>	
Part No.:	<b>A14F041</b>
Customer:	

# EDCON-COMPONENTS



Drawing (Dimension in mm)

Panel Cut out (unit /mm)



<b>Panel Mount Plug Single Row Terminal Block</b>	
Part No.:	<b>A14F041</b>
Customer:	

DRW:	Jason	CHKD:	Wilson	MATL:	Wilson	TOLERANCE:	Mason	DATE:	03.05.2026
APPD:	Schumi	FINISH:	Jamy				Sheet No.		2 from 4

[www.edcon-components.com](http://www.edcon-components.com)

email: [info@edcon-components.com](mailto:info@edcon-components.com)

# EDCON-COMPONENTS



## Ordering Informations

Serie	No. of Pos.	Body Color	Special function	Approval Code	ROHS	Packing	EDCON Cust. No.	Customer Version		
<b>A14F041</b>	<b>02</b>	<b>BK</b>	<b>N</b>	<b>N</b>	<b>R</b>	<b>B</b>	<b>xxxxxx</b>	<b>xx</b>		

Pitch  
2,54

<b>02</b> = Number of Pos. 1x2P		<b>N</b> = No special function	<b>N</b> = NON Approval	<b>R</b> = ROHS Conform	<b>B</b> = Bulk-Ware	<b>xxxxxx</b> = Customer Number	<b>xx</b> = Customer Version ??(Printing)
Standard 2 ~ xxPos.			<b>1</b> = UL-Approval for Material	<b>N</b> = NON ROHS Conform	<b>I</b> = Individual Package		
			<b>A</b> = UL /UR Approval Please consult EDCON for available				
	<b>BK</b> = Black		<b>B</b> = VDE Approval Please consult EDCON for available				
			<b>C</b> = TÜV Approval Please consult EDCON for available				

<b>Panel Mount Plug Single Row Terminal Block</b>	
Part No.:	<b>A14F041</b>
Customer:	

DRW:	Jason	CHKD	Wilson	MATL:	Wilson	TOLERANCE	Mason	DATE	03.05.2026
APPD:	Schumi			FINISH	Jamy		Sheet No.		3 from 4



Soldering Profile

Classification Reflow Profile (JEDEC J-STD-020C)



Classification Reflow Profile (JEDEC J-STD-020C)



<b>Panel Mount Plug Single Row Terminal Block</b>	
Part No.:	<b>A14F041</b>
Customer:	

DRW:	Jason	CHKD	Wilson	MATL:	Wilson	TOLERANCE	Mason	DATE	03.05.2026
APPD:	Schumi			FINISH	Jamy		Sheet No.		4 from 4