

Data Sheet

Dual-Row Plug Terminal Block

Pitch: 2,54 mm

Serie: A14F023

Customer Information for special Item

EDCON Customer : xxxxxx

Customer Version No. : xx

EDCON-COMPONENTS



Technical Discription

技术数据-UL/CUL

等级 Use Group	B	C	D
额定电压 Rate Voltage [V]	150	-	-
额定电流 Rated Current [A]	5	-	-
接线范围 Wire Range [AWG]	30-20		
耐电压 Dielectric Voltage-Withstand	1.3KV		

技术参数-IEC

过电压类别 Overvoltage Category	III	III	II
污染等级 Contamination Class	3	2	2
额定电压 Rated Voltage [V]	160	160	320
额定电流 Rated Current [A]	6	6	6
额定冲击电压 Impulse withstand voltage [KV]	2.5	2.5	2.5
导线截面积(硬/柔) Conductor cross section [mm²]	0.2~0.5		

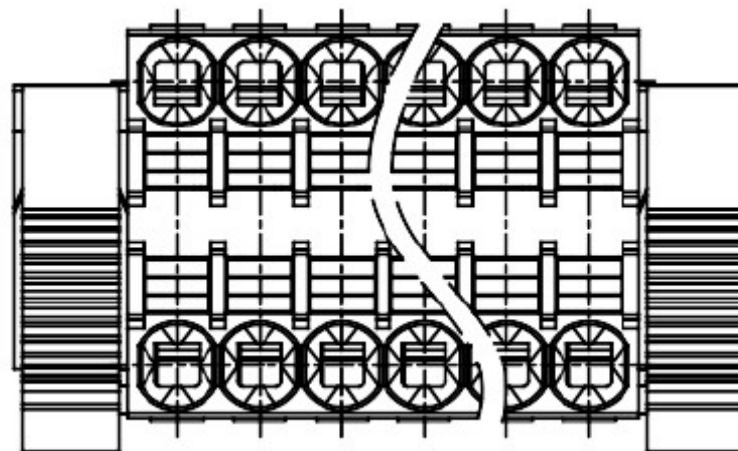
材料 Material

绝缘材料 Insulation Material	PA66
阻燃等级 Flame relardant rating	UL94V-0
导体材料 Conductor Material	Copper alloy
导体表面镀层 Plating of conductor surface	Sn plated

一般参数 Other Data

间距/极数 Pitch/Poles [mm]/[P]	2.54/2*2-2*24
剥线长度 Stripping Length [mm]	7-8
螺丝/扭矩 Screw/Torque(Max)[N.m]	-
工作温度 Operating temperature [°C]	-40°C~+105°C
焊锡温度 Soldering temperature	-
引针尺寸 Pin dimensions [mm]	-
PCB板孔径 PCB Hole Diameter [mm]	-

Drawing (Dimension in mm)



DRW:	Jason	CHKD:	Wilson	MATL:	Wilson
APPD:	Schumi			FINISH:	Jamy

Tolerances unless otherwise specified (mm)				
X	X.X	X.XX	X.XXX	Angle
±	±	±	±	±3°
Wilson	TOLERANCE	Mason	DATE	03.05.2026
Jamy		Sheet No.		1 from 4

Dual-Row Plug Terminal Block

Part No.: **A14F023**

Customer:

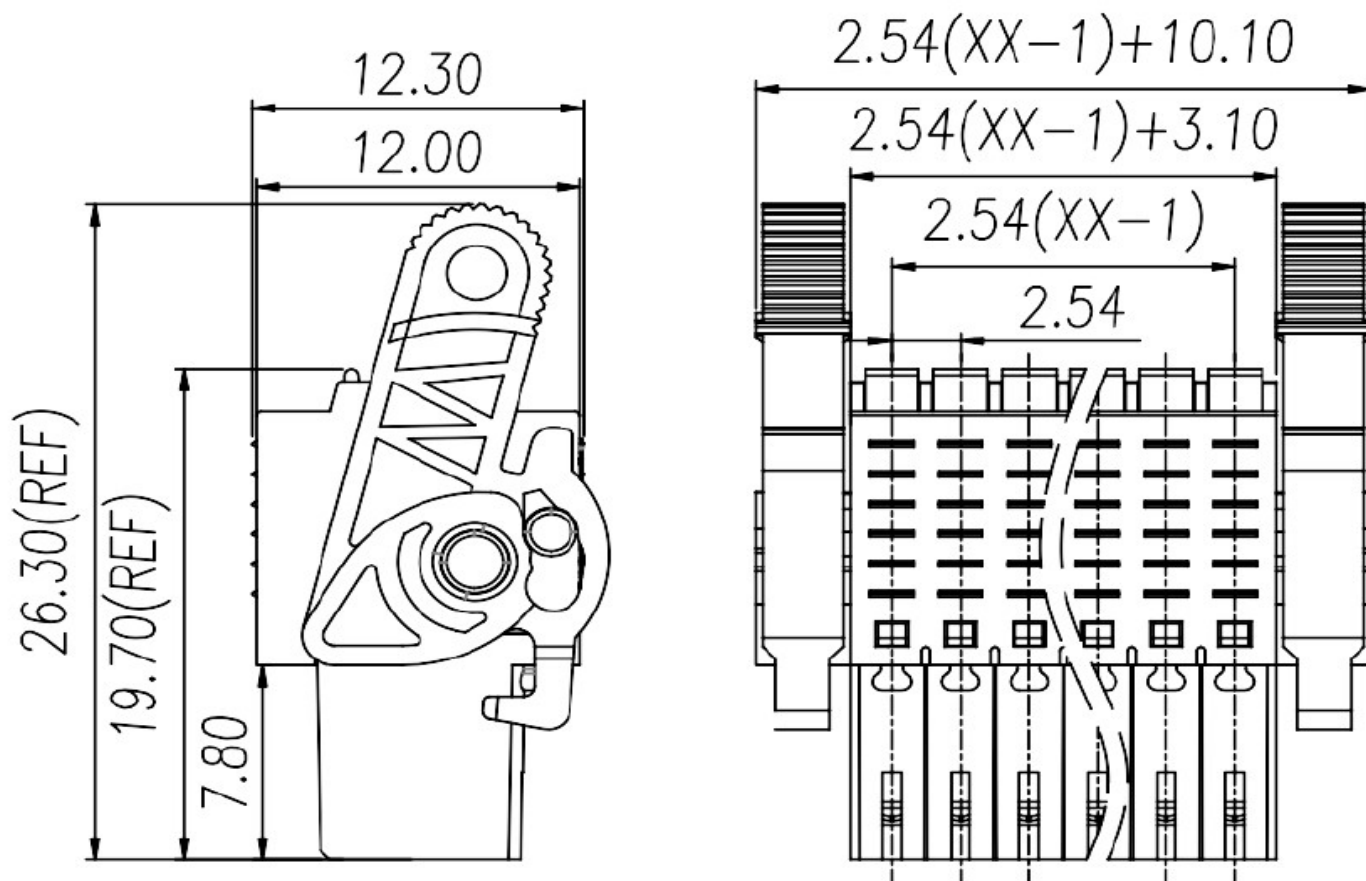
www.edcon-components.com

email: info@edcon-components.com

EDCON-COMPONENTS



Drawing (Dimension in mm)



Dual-Row Plug Terminal Block	
Part No.:	A14F023
Customer:	

DRW:	Jason	CHKD:	Wilson	MATL:	Wilson	TOLERANCE:	Mason	DATE:	03.05.2026
APPD:	Schumi			FINISH:	Jamy		Sheet No.		2 from 4

www.edcon-components.com

email: info@edcon-components.com

EDCON-COMPONENTS



Ordering Informations

Serie	No. of Pos.	Body Color	Special function	Approval Code	ROHS	Packing	EDCON Cust. No.	Customer Version		
A14F023	04	BK	N	N	R	B	xxxxxx	xx		

Pitch
2,54

04 = Number of Pos.2x2P		N = No special function	N = NON Approval	R = ROHS Conform	B = Bulk-Ware	xxxxxx = Customer Number	xx = Customer Version ??(Printing)
Standard 4 ~ 48Pos.			1 = UL-Approval for Material	N = NON ROHS Conform	I = Individual Package		
			A = UL /UR Approval Please consult EDCON for available				
			B = VDE Approval Please consult EDCON for available				
	BK = Black		C = TÜV Approval Please consult EDCON for available				

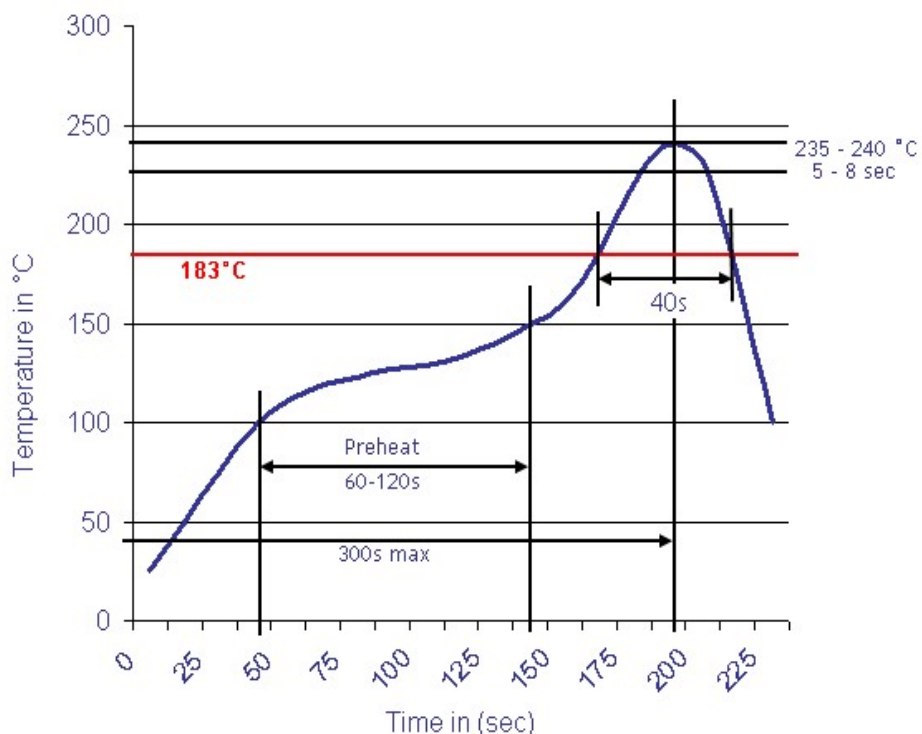
Dual-Row Plug Terminal Block	
Part No.:	A14F023
Customer:	

DRW:	Jason	CHKD	Wilson	MATL:	Wilson	TOLERANCE	Mason	DATE	03.05.2026
APPD:	Schumi			FINISH	Jamy		Sheet No.		3 from 4



Soldering Profile

Classification Reflow Profile (JEDEC J-STD-020C)



Classification Reflow Profile (JEDEC J-STD-020C)



Dual-Row Plug Terminal Block

Part No.: **A14F023**

Customer:

DRW:	Jason	CHKD	Wilson	MATL:	Wilson	TOLERANCE	Mason	DATE	03.05.2026
APPD:	Schumi			FINISH	Jamy		Sheet No.		4 from 4