

# Data Sheet

## Dual-Row Plug Terminal Block

**Pitch: 2,54 mm**

**Serie: A14F022**

### Customer Information for special Item

**EDCON Customer : xxxxxx**

**Customer Version No. : xx**

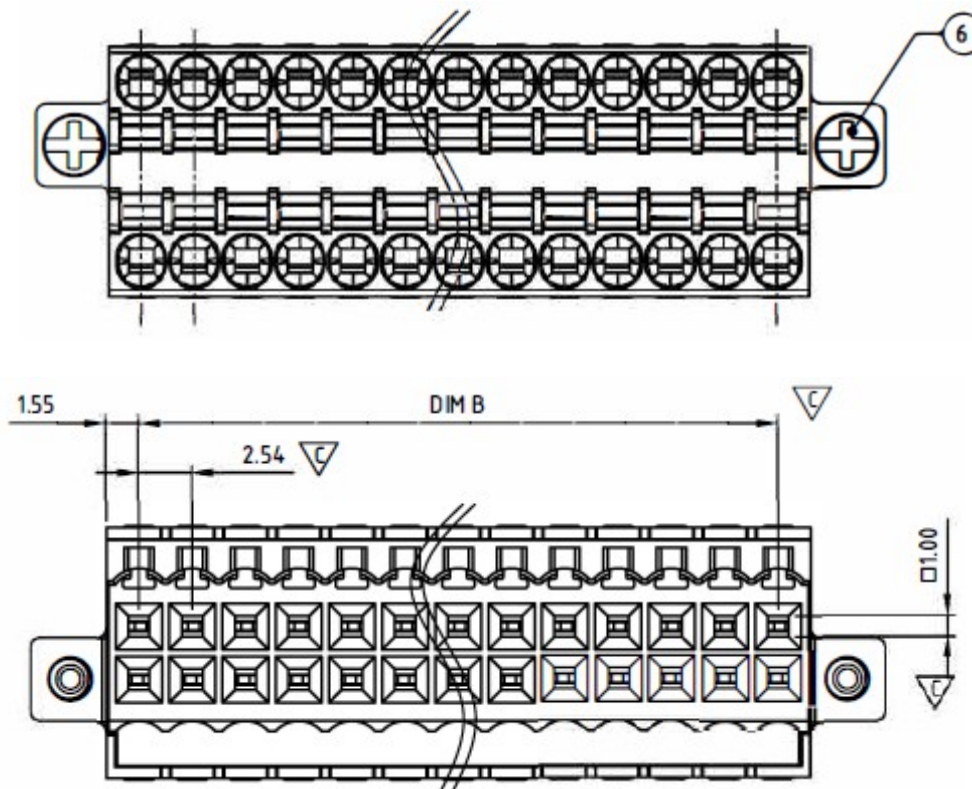
# EDCON-COMPONENTS



## Technical Discription

- 1.Nominal voltage: 150V/5A  
PITCH:2.54mm
- 2.Connection capacity:  
AWG 26-18
- 3.Insulation Withstanding Voltage:  
AC 1300V/MIN
- 4.Insulation Resistance:  
1000MΩ or more at DC500V
- 5.Stripping length: 7-8mm
- 6Using temperature range:-40C° -115C°

## Drawing (Dimension in mm)



Tolerances unless otherwise specified (mm)

X	X.X	X.XX	X.XXX	Angle
±	±	±	±	±3°
DRW:	Jason	CHKD	Wilson	MATL:
APPD:	Schumi			FINISH
Wilson	TOLERANCE	Mason	DATE	03.05.2026
Jamy			Sheet No.	1 from 4

**Dual-Row Plug Terminal Block**

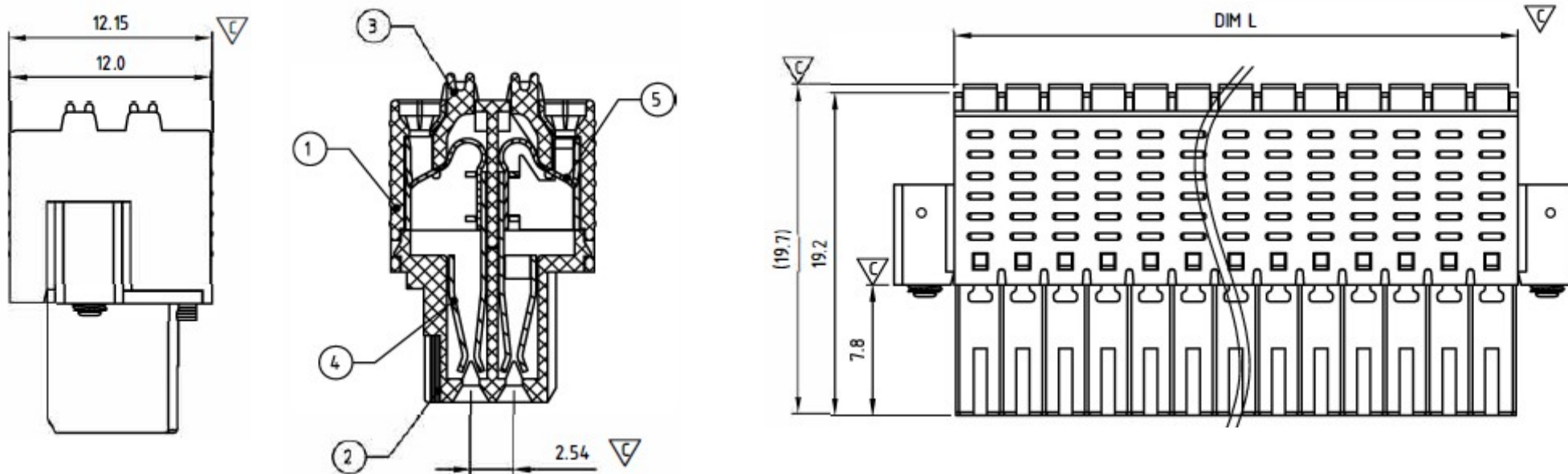
Part No.: **A14F022**

Customer:

# EDCON-COMPONENTS



Drawing (Dimension in mm)



6	FLANGE SCREW	STEEL	M2.0, Zn PLATED	2
5	WIRE GUARD	Stainless steel	t=0.25mm	P
4	CONTACT	BRONZE (PbBz)	t=0.3mm TIN PLATED	P
3	LEVEL	POM UL94HB	ORANGE	P
2	COVER	PA66 UL94V-0	ALL COLOR	1
1	BODY	PA66 UL94V-0	ALL COLOR	1
ITEM	NAME OF PART	MATERIAL	NOTES	QTY

<b>Dual-Row Plug Terminal Block</b>	
Part No.:	<b>A14F022</b>
Customer:	

DRW:	Jason	CHKD	Wilson	MATL:	Wilson	TOLERANCE	Mason	DATE	03.05.2026
APPD:	Schumi			FINISH	Jamy		Sheet No.		2 from 4

[www.edcon-components.com](http://www.edcon-components.com)

email: [info@edcon-components.com](mailto:info@edcon-components.com)

# EDCON-COMPONENTS



## Ordering Informations

Serie	No. of Pos.	Body Color	Special function	Approval Code	ROHS	Packing	EDCON Cust. No.	Customer Version		
-------	-------------	------------	------------------	---------------	------	---------	-----------------	------------------	--	--

<b>A14F022</b>	<b>04</b>	<b>PG</b>	<b>N</b>	<b>N</b>	<b>R</b>	<b>B</b>	<b>xxxxxx</b>	<b>xx</b>		
----------------	-----------	-----------	----------	----------	----------	----------	---------------	-----------	--	--

Pitch 2,54	<b>04</b> = Number of Pos.2x2P Standard 4 ~ 48Pos.	<b>PG</b> = Phoenix Green (Standard)	<b>N</b> = No special function	<b>N</b> = NON Approval <b>1</b> = UL-Approval for Material	<b>R</b> = ROHS Conform <b>N</b> = NON ROHS Conform	<b>B</b> = Bulk-Ware <b>I</b> = Individual Package	<b>xxxxxx</b> = Customer Number	<b>xx</b> = Customer Version ??(Printing)		
---------------	---	--------------------------------------	--------------------------------	--	--	---	---------------------------------	--	--	--

				<b>A</b> = UL /UR Approval Please consult EDCON for available					
				<b>B</b> = VDE Approval Please consult EDCON for available					
				<b>C</b> = TÜV Approval Please consult EDCON for available					

<b>Dual-Row Plug Terminal Block</b>	
Part No.:	<b>A14F022</b>
Customer:	

DRW:	Jason	CHKD	Wilson	MATL:	Wilson	TOLERANCE	Mason	DATE	03.05.2026
APPD:	Schumi			FINISH	Jamy		Sheet No.		3 from 4



Soldering Profile

Classification Reflow Profile (JEDEC J-STD-020C)



Classification Reflow Profile (JEDEC J-STD-020C)



Dual-Row Plug Terminal Block

Part No.: **A14F022**

Customer:

DRW:	Jason	CHKD	Wilson	MATL:	Wilson	TOLERANCE	Mason	DATE	03.05.2026
APPD:	Schumi			FINISH	Jamy		Sheet No.		4 from 4