

# Data Sheet

## THT R/A Dual-Row Wafer Terminal Block

**Pitch: 2,54 mm**

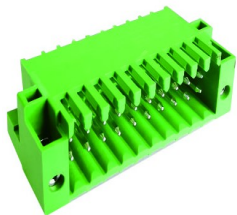
**Serie: A14F020**

**Customer Information for special Item**

**EDCON Customer : xxxxxx**

**Customer Version No. : xx**

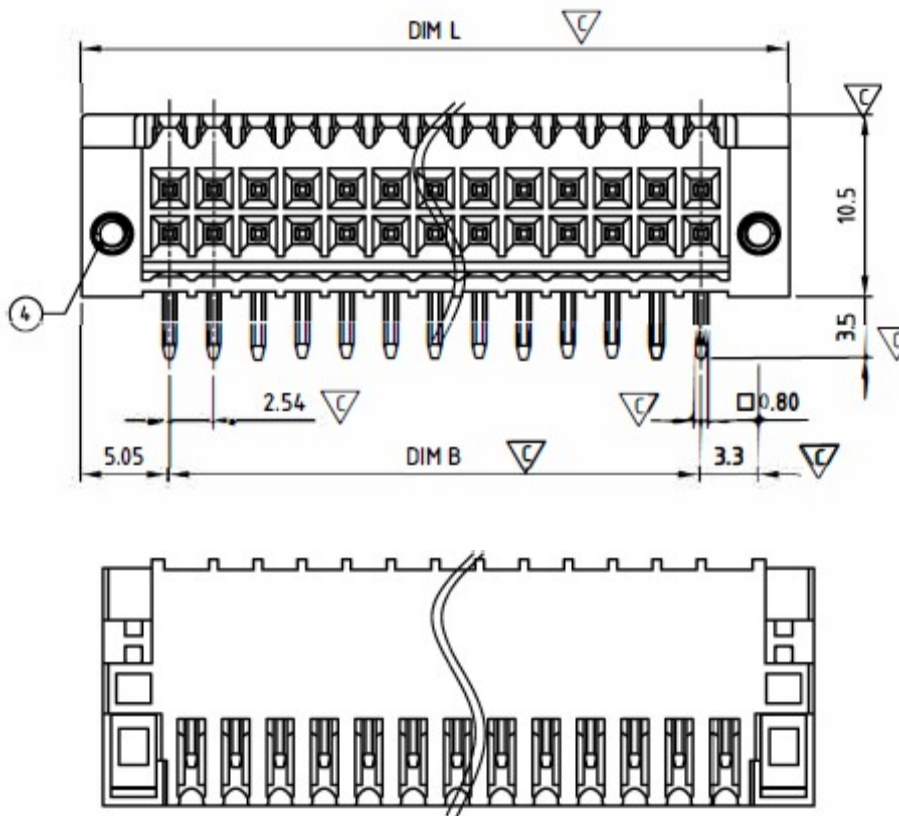
# EDCON-COMPONENTS



## Technical Discription

- 1.Nominal voltage: 150V/5A  
PITCH:2.54mm
- 2.Insulation Withstanding Voltage:  
AC 1300V/MIN
- 3.Insulation Resistance:  
1000MΩ or more at DC500V
- 4.Using temperature range:-40C°~115C°  
Soldering temperature:250±5C°/10s
- 5.Undimen sioned Tolerances:

## Drawing (Dimension in mm)



**THT R/A Dual-Row Wafer  
Terminal Block**

Part No.: **A14F020**

Customer:

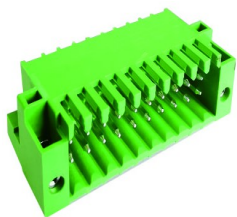
Tolerances unless otherwise specified (mm)

X	X.X	X.XX	X.XXX	Angle
±	±	±	±	±3°
DRW:	Jason	CHKD	Wilson	MATL:
APPD:	Schumi			FINISH
Wilson	TOLERANCE	Mason	DATE	03.05.2026
Jamy		Sheet No.		1 from 4

[www.edcon-components.com](http://www.edcon-components.com)

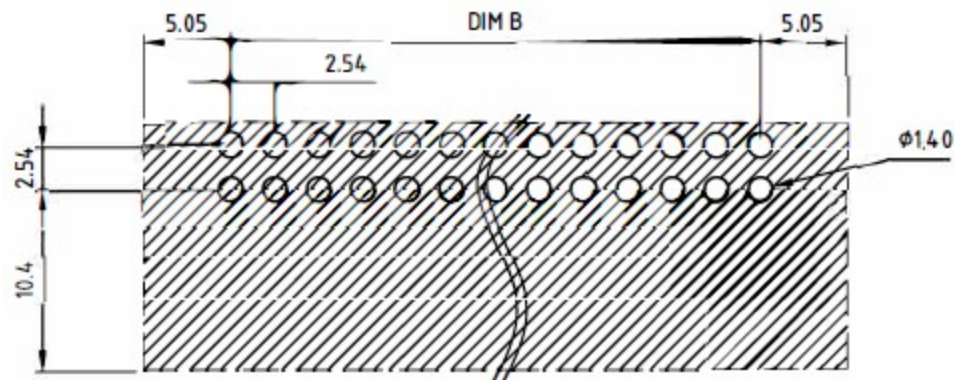
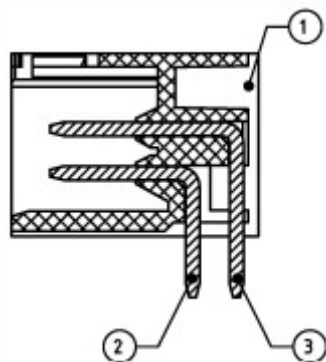
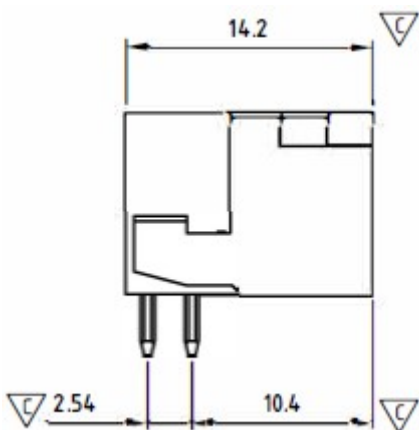
email: [info@edcon-components.com](mailto:info@edcon-components.com)

# EDCON-COMPONENTS



Drawing (Dimension in mm)

PCB Layout (unit /mm) PCB-View



4	FLANGE NUT	BRASS		2
3	PIN	COPPER	0.8×0.8 TIN PLATED	1/2P
2	PIN	COPPER	0.8×0.8 TIN PLATED	1/2P
1	BODY	PA66 UL94V-0	ALL COLOR	1
ITEM	NAME OF PART	MATERIAL	NOTES	Q"TY

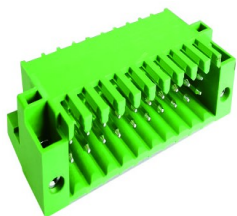
<b>THT R/A Dual-Row Wafer Terminal Block</b>	
Part No.:	<b>A14F020</b>
Customer:	

DRW:	Jason	CHKD	Wilson	MATL:	Wilson	TOLERANCE	Mason	DATE	03.05.2026
APPD:	Schumi			FINISH	Jamy		Sheet No.		2 from 4

[www.edcon-components.com](http://www.edcon-components.com)

email: [info@edcon-components.com](mailto:info@edcon-components.com)

# EDCON-COMPONENTS



## Ordering Informations

Serie	No. of Pos.	Body Color	Special function	Approval Code	ROHS	Packing	EDCON Cust. No.	Customer Version		
-------	-------------	------------	------------------	---------------	------	---------	-----------------	------------------	--	--

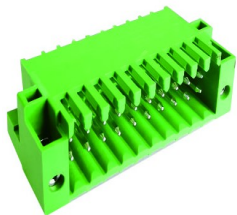
<b>A14F020</b>	<b>04</b>	<b>PG</b>	<b>N</b>	<b>N</b>	<b>R</b>	<b>B</b>	<b>xxxxxx</b>	<b>xx</b>		
----------------	-----------	-----------	----------	----------	----------	----------	---------------	-----------	--	--

Pitch 2,54
---------------

<b>04</b> = Number of Pos.2x2P	<b>PG</b> = Phoenix Green (Standard)	<b>N</b> = No special function	<b>N</b> = NON Approval	<b>R</b> = ROHS Conform	<b>B</b> = Bulk-Ware	<b>xxxxxx</b> = Customer Number	<b>xx</b> = Customer Version ??(Printing)
Standard 4 ~ 48Pos.			<b>1</b> = UL-Approval for Material	<b>N</b> = NON ROHS Conform	<b>I</b> = Individual Package		
			<b>A</b> = UL /UR Approval Please consult EDCON for available				
			<b>B</b> = VDE Approval Please consult EDCON for available				
			<b>C</b> = TÜV Approval Please consult EDCON for available				

<b>THT R/A Dual-Row Wafer Terminal Block</b>	
Part No.:	<b>A14F020</b>
Customer:	

DRW:	Jason	CHKD	Wilson	MATL:	Wilson	TOLERANCE	Mason	DATE	03.05.2026
APPD:	Schumi			FINISH	Jamy		Sheet No.		3 from 4



Soldering Profile

Classification Reflow Profile (JEDEC J-STD-020C)



Classification Reflow Profile (JEDEC J-STD-020C)



<b>THT R/A Dual-Row Wafer Terminal Block</b>	
Part No.:	<b>A14F020</b>
Customer:	

DRW:	Jason	CHKD	Wilson	MATL:	Wilson	TOLERANCE	Mason	DATE	03.05.2026
APPD:	Schumi			FINISH	Jamy		Sheet No.		4 from 4