

Data Sheet

SMD R/A Wafer Terminal Block

Pitch: 2,54 mm

Serie: A14F007

Customer Information for special Item

EDCON Customer : xxxxxx

Customer Version No. : xx

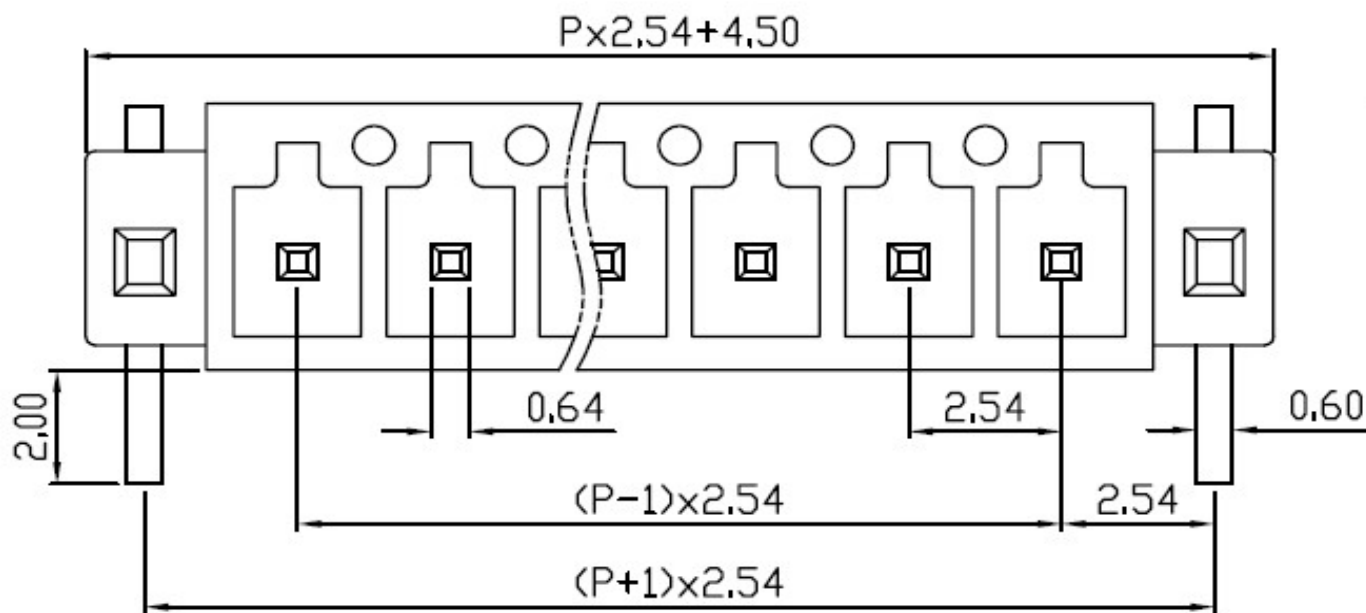
EDCON-COMPONENTS



Technical Discription

Drawing (Dimension in mm)

UL/CUL 技术参数 UL/CUL Technical Data		cULus		
等级 Use Group		B	C	D
额定电压 Rated Voltage [V]		150	-	-
额定电流 Rated Current [A]		3	-	-
接线范围 Wire Range		-		
单/多芯线 Solid/Stranded [AWG]		-		
耐电压 Withstanding Voltage		1300V/1Min		
IEC 技术参数 IEC Technical Data		DE		
过电压类别 Overvoltage Category		III	III	II
污染等级 Contamination Class		3	2	2
额定电压 Rated Voltage [V]		32	160	320
额定电流 Rated Current [A]		3	3	3
额定冲击电压 Impulse withstand voltagea [KV]		2.5	2.5	2.5
导线截面积 Conductor cross section 硬质/柔性导线 Solid/flexible [mm ²]		-		
材料 Material				
绝缘材料 Insulation Material		PA66		
阻燃等级 Imflammability		UL94V-0		
导体材料 Contact Material		铜合金 Copper alloy		
导体表面镀层 Contactive Coating		镀锡 Tin Plated		
一般参数 Other Data				
间距 Pitch [mm]		2.54		
极数 Poles [P]		02~16		
剥线长度 Stripping Length [mm]		-		
螺丝 Screw/扭矩 Torque(Max) [N.m]		-		
工作温度 Operating temperatur [°C]		-40~+100		
引针尺寸 Pin Dimensions [mm]		2.00		
PCB板孔径 PCB Hole Diameter [mm]		1.20		



Tolerances unless otherwise specified (mm)				
X	X.X	X.XX	X.XXX	Angle
±	±	±	±	±3°

SMD R/A Wafer Terminal Block	
Part No.:	A14F007
Customer:	

DRW:	Jason	CHKD:	Wilson	MATL:	Wilson	TOLERANCE:	Mason	DATE:	02.05.2026
APPD:	Schumi	FINISH:	Jamy	Sheet No.:					1 from 4

www.edcon-components.com

email: info@edcon-components.com

EDCON-COMPONENTS

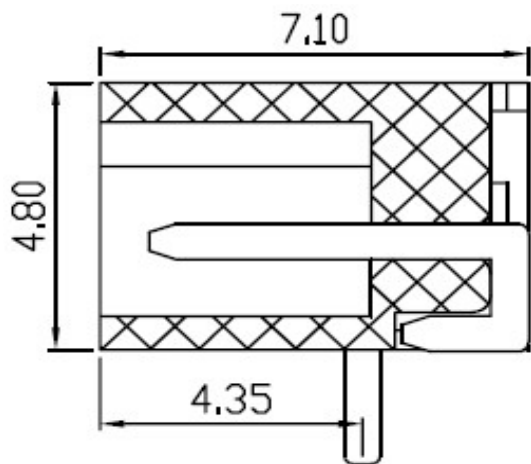
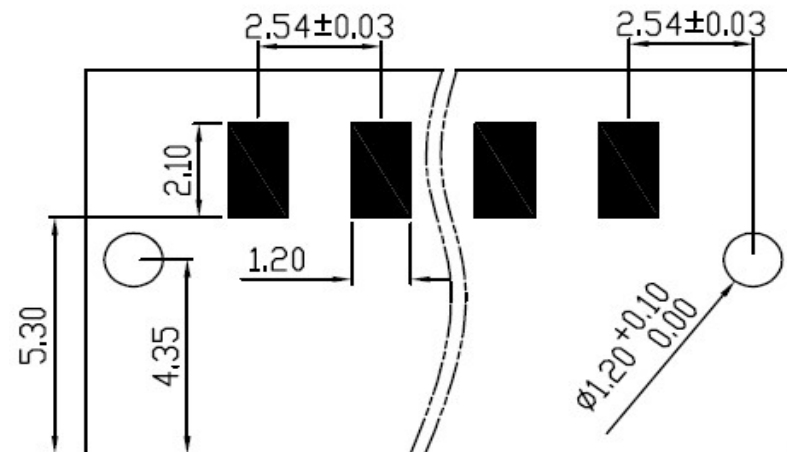
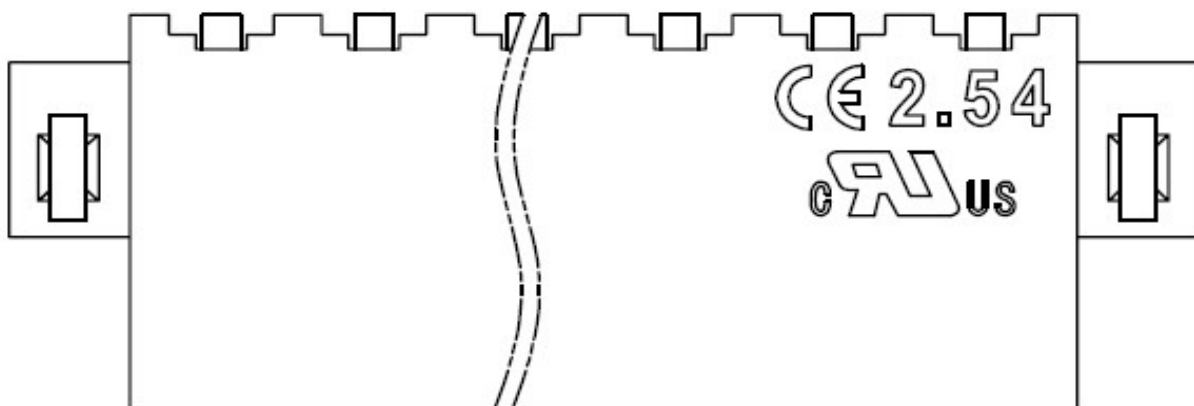


EDCON EDCON EDCON EDCON



Drawing (Dimension in mm)

PCB Layout (unit /mm) PCB-View



SMD R/A Wafer Terminal Block	
Part No.:	A14F007
Customer:	

DRW:	Jason	CHKD:	Wilson	MATL:	Wilson	TOLERANCE:	Mason	DATE:	02.05.2026
APPD:	Schumi	FINISH:	Jamy				Sheet No.		2 from 4

www.edcon-components.com

email: info@edcon-components.com

EDCON-COMPONENTS



Ordering Informations

Serie	No. of Pos.	Body Color	Special function	Approval Code	ROHS	Packing	EDCON Cust. No.	Customer Version		
A14F007	02	BK	N	N	R	B	xxxxxx	xx		

Pitch
2,54

02= Number of Pos.		N= No special function	N= NON Approval	R= ROHS Conform	B= Bulk-Ware	xxxxxx= Customer Number	xx= Customer Version ??(Printing)
Standard 2 ~ 16Pos.			1= UL-Approval for Material	N= NON ROHS Conform	I= Individual Package		
			A= UL /UR Approval Please consult EDCON for available				
	BK= Black		B= VDE Approval Please consult EDCON for available				
			C= TÜV Approval Please consult EDCON for available				

SMD R/A Wafer Terminal Block
Part No.: A14F007
Customer:

DRW:	Jason	CHKD	Wilson	MATL:	Wilson	TOLERANCE	Mason	DATE	02.05.2026
APPD:	Schumi			FINISH	Jamy		Sheet No.		3 from 4



Soldering Profile

Classification Reflow Profile (JEDEC J-STD-020C)



Classification Reflow Profile (JEDEC J-STD-020C)



SMD R/A Wafer Terminal Block

Part No.: **A14F007**

Customer:

DRW:	Jason	CHKD	Wilson	MATL:	Wilson	TOLERANCE	Mason	DATE	02.05.2026
APPD:	Schumi			FINISH	Jamy		Sheet No.		4 from 4