

# Data Sheet

**R/A Wafer Terminal Block THR 2,30mm**

**Pitch: 2,54 mm**

**Serie: A14F005**

**Customer Information for special Item**

**EDCON Customer : xxxxxx**

**Customer Version No. : xx**

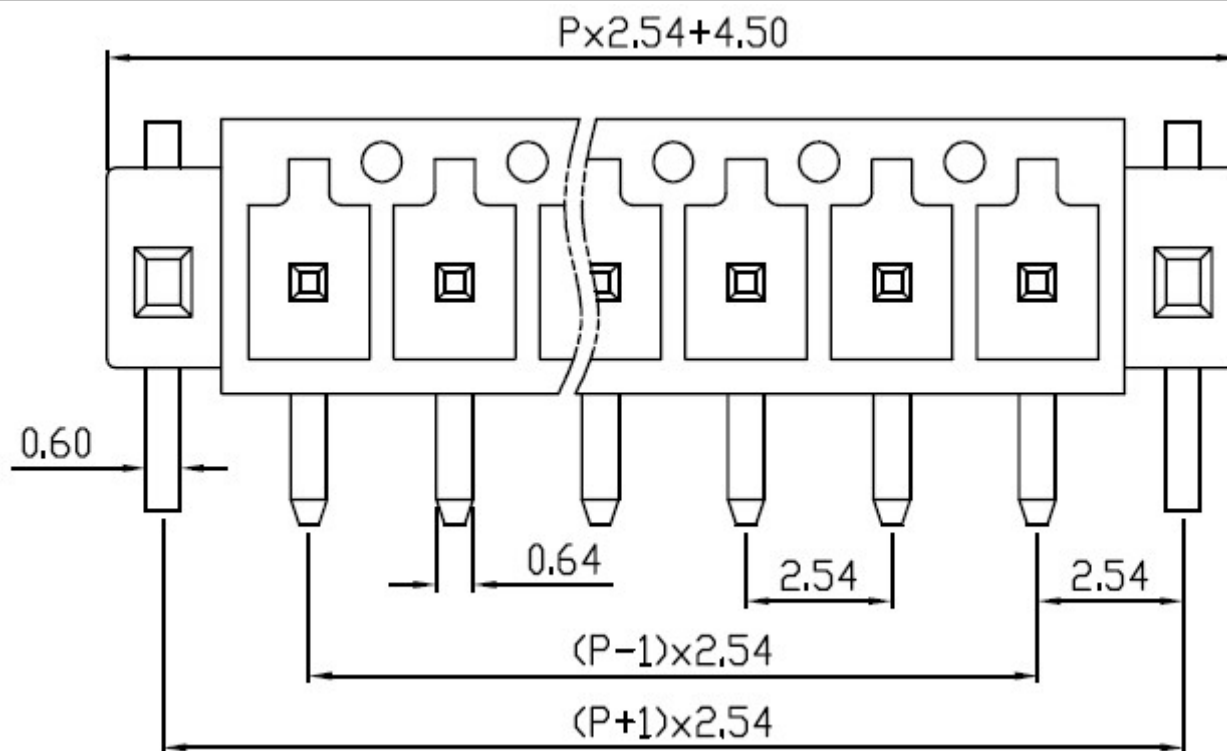
# EDCON-COMPONENTS



## Technical Discription

UL/CUL 技术参数				
UL/CUL Technical Data				
等级 Use Group	B	C	D	
额定电压 Rated Voltage [V]	150	-	-	
额定电流 Rated Current [A]	3	-	-	
接线范围 Wire Range	-			
单/多芯线 Solid/Stranded [AWG]	-			
耐电压 Withstanding Voltage	1300V/1Min			
IEC 技术参数				
IEC Technical Data				
过电压类别 Overvoltage Category	III	III	II	
污染等级 Contamination Class	3	2	2	
额定电压 Rated Voltage [V]	32	160	320	
额定电流 Rated Current [A]	3	3	3	
额定冲击电压 Impulse withstand voltagea [KV]	2.5	2.5	2.5	
导线截面积 Conductor cross section	-			
硬质/柔性导线 Solid/ flexible [mm <sup>2</sup> ]	-			
材料 Material				
绝缘材料 Insulation Material	PA66			
阻燃等级 Imflammability	UL94V-0			
导体材料 Contactor Material	铜合金 Copper alloy			
导体表面镀层 Contactive Coating	镀锡 Tin Plated			
一般参数 Other Data				
间距 Pitch [mm]	2.54			
极数 Poles [P]	02~16			
剥线长度 Stripping Length [mm]	-			
螺丝 Screw/扭矩 Torque(Max) [N.m]	-			
工作温度 Operating temperatur [°C]	-40~+100			
引针尺寸 Pin Dimensions [mm]	2.30			
PCB板孔径 PCB Hole Diameter [mm]	1.20			

## Drawing (Dimension in mm)



Tolerances unless otherwise specified (mm)				
X	X.X	X.XX	X.XXX	Angle
±	±	±	±	±3°
DRW:	Jason	CHKD:	Wilson	MATL:
APPD:	Schumi	FINISH:	Jamy	TOLERANCE
				Mason
				DATE
				02.05.2026
				Sheet No.
				1 from 4

**R/A Wafer Terminal Block  
THR 2,30mm**

Part No.: **A14F005**

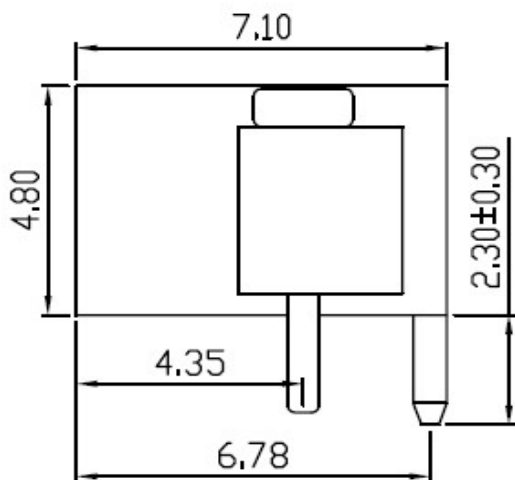
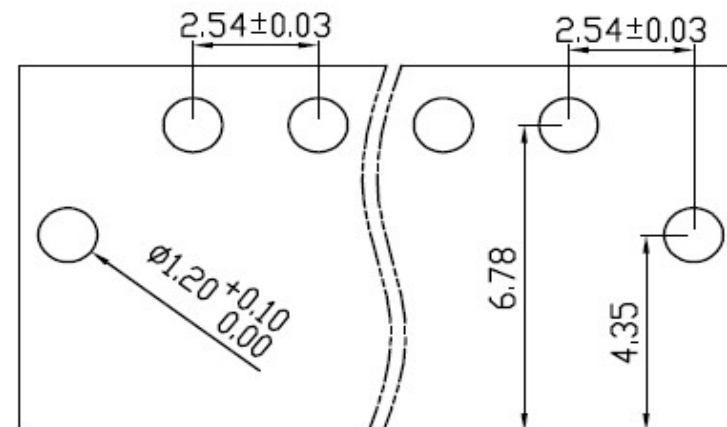
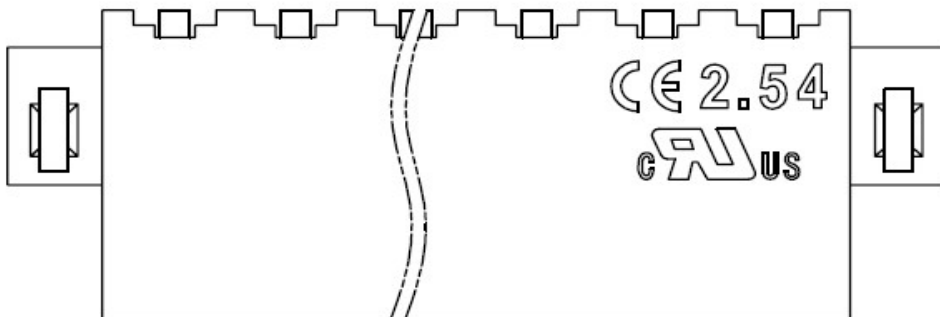
Customer:

# EDCON-COMPONENTS



Drawing (Dimension in mm)

PCB Layout (unit /mm) PCB-View



**R/A Wafer Terminal Block  
THR 2,30mm**

Part No.: **A14F005**

DRW:	Jason	CHKD	Wilson	MATL:	Wilson	TOLERANCE	Mason	DATE	02.05.2026	Customer:
APPD:	Schumi			FINISH	Jamy		Sheet No.	2 from 4		

[www.edcon-components.com](http://www.edcon-components.com)

email: [info@edcon-components.com](mailto:info@edcon-components.com)

# EDCON-COMPONENTS



## Ordering Informations

Serie	No. of Pos.	Body Color	Special function	Approval Code	ROHS	Packing	EDCON Cust. No.	Customer Version		
<b>A14F005</b>	<b>02</b>	<b>BK</b>	<b>N</b>	<b>N</b>	<b>R</b>	<b>B</b>	<b>xxxxxx</b>	<b>xx</b>		

Pitch  
2,54

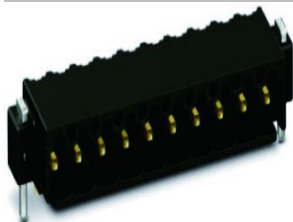
<b>02=</b> Number of Pos.		<b>N=</b> No special function	<b>N=</b> NON Approval	<b>R=</b> ROHS Conform	<b>B=</b> Bulk-Ware	<b>xxxxxx=</b> Customer Number	<b>xx=</b> Customer Version ??(Printing)
Standard 2 ~ 16Pos.			<b>1=</b> UL-Approval for Material	<b>N=</b> NON ROHS Conform	<b>I=</b> Individual Package		
			<b>A=</b> UL /UR Approval Please consult EDCON for available				
			<b>B=</b> VDE Approval Please consult EDCON for available				
	<b>BK=</b> Black		<b>C=</b> TÜV Approval Please consult EDCON for available				

**R/A Wafer Terminal Block  
THR 2,30mm**

Part No.: **A14F005**

DRW:	Jason	CHKD	Wilson	MATL:	Wilson	TOLERANCE	Mason	DATE	02.05.2026
APPD:	Schumi			FINISH	Jamy		Sheet No.		3 from 4

Customer:



Soldering Profile

Classification Reflow Profile (JEDEC J-STD-020C)



Classification Reflow Profile (JEDEC J-STD-020C)



**R/A Wafer Terminal Block  
THR 2,30mm**

Part No.: **A14F005**

Customer:

DRW:	Jason	CHKD	Wilson	MATL:	Wilson	TOLERANCE	Mason	DATE	02.05.2026
APPD:	Schumi			FINISH	Jamy		Sheet No.		4 from 4