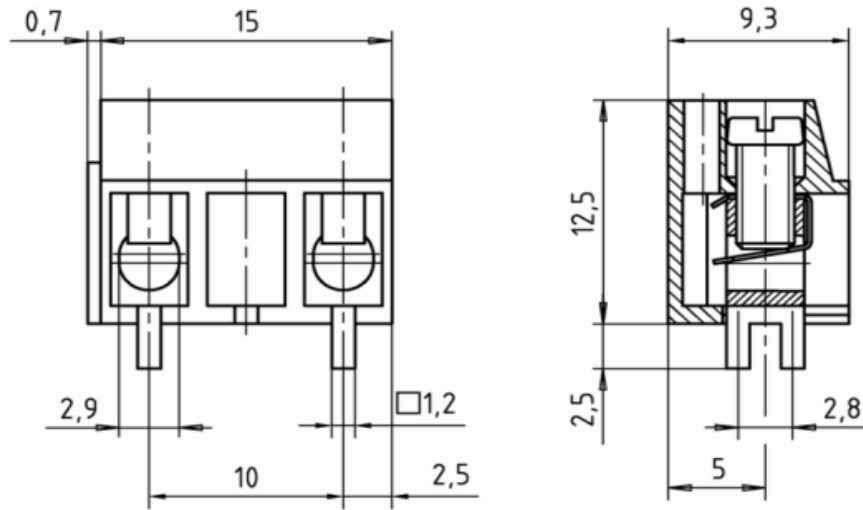


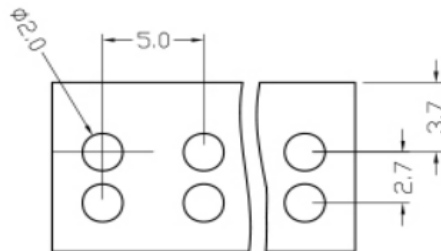
EDCON-COMPONENTS



Drawing



P.C.B. Layout



Specification

APPROVAL



Electrical

	UL	IEC
Standard	UL	IEC
Rated voltage	300V	1000V
Rated current	20A	32A
Wire range (Flex)	22-12 AWG	2.5mm ²
Wire range (Massiv)	22-12 AWG	4.0mm ²
Withstanding voltage	AC3500V/1Min	

Mechanical

Ambient temperature	-40°C ~ +105°C	
Strip length	5 ~ 6mm	
Screw, Torque	M3, 0.5Nm (4.4Lb-In.)	

Dimensions

Pitch	10.0mm
Poles	2P, 3P-6P

Material

Housing	PBT (UL94V-0)
Pin header	Brass, Tin plated
Screw	steel, Cr ³⁺ Zn plated
Wire guard	Stainless steel



Certification

Wire Protector Terminal Block /
Pitch 10.00mm Dual-Solder Pin

Part No.: A12T015

Customer:

DRW:	Bill	CHKD	Lord	MATL:	Jimmy	TOLERANCE	Sam	DATE	14.11.2022
APPD:	Louis			FINISH	Georg		Sheet No.		1 from 3

www.edcon-components.com

email: info@edcon-components.com

EDCON-COMPONENTS

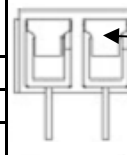


Ordering Informations

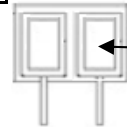
Serie	-	No. of Pole	Body-Color	wire protector	Screw	-	Customer Request
A12T015	-	XX	XX	X	X	-	X

XX = total	WH - white	1 - with wire protector	A - Slotted screw (<i>standard</i>)
	GN - green	2 - without wire protector	B - Cross-slotted screw
	GR - gray		
	LG - light gray		

PG - Phoenix Green
OR - orange
BL - blue
BK - black



wire protector



without wire protector



Certification

Wire Protector Terminal Block /
Pitch 10.00mm Dual-Solder Pin

Part No.: A12T015

Customer:

DRW:	Bill	CHKD	Lord	MATL:	Jimmy	TOLERANCE	Sam	DATE	14.11.2022
APPD:	Louis			FINISH	Georg			Sheet No.	2 from 3

www.edcon-components.com

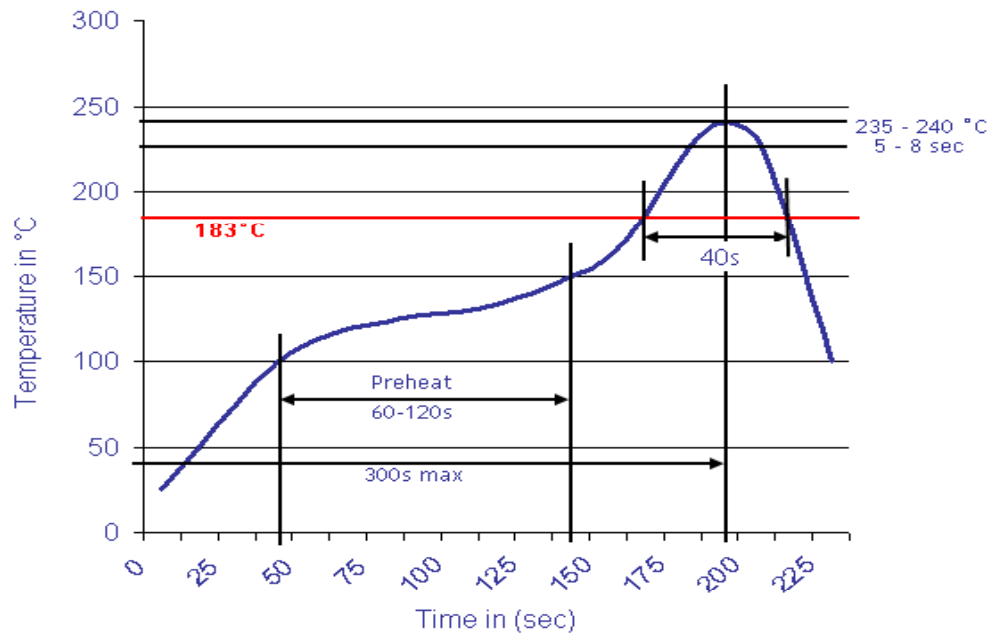
email: info@edcon-components.com

EDCON-COMPONENTS



Soldering - Profil

Classification Reflow Profile (JEDEC J-STD-020C)



Wire Protector Terminal Block / Pitch 10.00mm Dual-Solder Pin	
Part No.:	A12T015
Customer:	

DRW:	Bill	CHKD	Lord	MATL:	Jimmy	TOLERANCE	Sam	DATE	14.11.2022
APPD:	Louis			FINISH	Georg		Sheet No.		3 from 3

www.edcon-components.com

email: info@edcon-components.com