

Data Sheet

Pluggable Wire Protector Terminal Block

Serie: 5,00 mm

Serie: A12L064

Customer Information for special Item

EDCON Customer : xxxxxx

Customer Version No. : xx

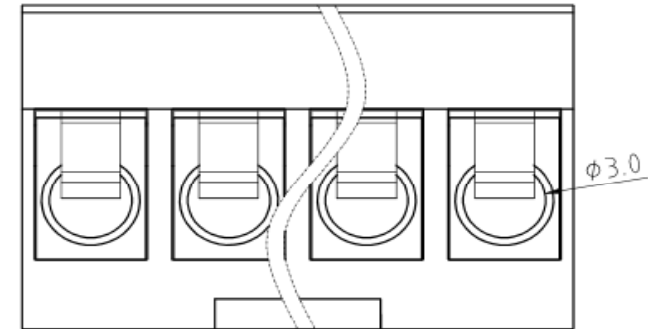
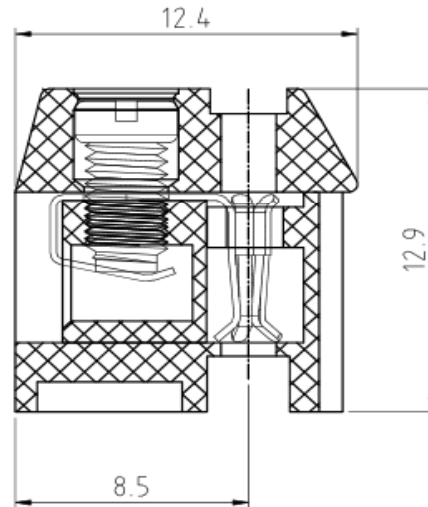
EDCON-COMPONENTS



Technical Discription

Electrical	UL	IEC
Rated Voltage	300 Volt	300 Volt
Rated Current	10A	10A
Wire Range		
Solid Wire		AWG 14~22
Stranged Wire		AWG 14~22
Withstanding Voltage		2,5KV
Insulation Resistance		5000MΩ / 1000V
Mechanical		
Operating Temperature		-40°C ~ +115°C
Wire Strip Length		6-7mm
Dimensions		
Pitch (mm)		5,00
Poles		2 + 3Pos. ~ 24 Pos.
Materials		
Body		Copper Alloy / Nickel Plated
Screw		Steel (Galvanized w. Cr3 + plated
Wire Guard		Copper Alloy / Nickel Plated
Housing		Polyamide (UL94V-0)

Drawing (Dimension in mm)



N=Number of contact

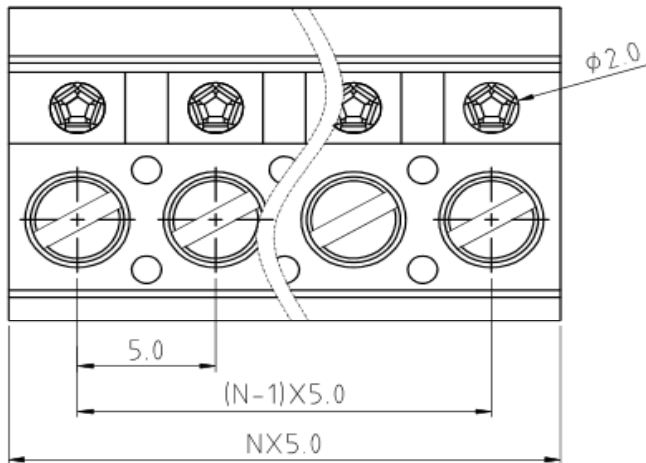
Tolerances unless otherwise specified (mm)										Pluggable Wire Protector Terminal Block
x	x.x	x.xx	x.xxx	Angle						
±0,50	±0,30	±0,1	±	±3°						Part No.: A12L064
DRW: Jason	CHKD Wilson	MATL: Wilson	TOLERANCE Mason	DATE 11.10.2021						Customer:
APPD: Schumi	FINISH Jamy	Sheet No.			1 from 4					

EDCON-COMPONENTS



Layout (Dimension mm)

Dimensions (mm)



Pluggable Wire Protector Terminal Block	
Part No.:	A12L064
Customer:	

DRW:	Jason	CHKD	Wilson	MATL:	Wilson	TOLERANCE	Mason	DATE	11.10.2021
APPD:	Schumi			FINISH	Jamy		Sheet No.		2 from 4

www.edcon-components.com


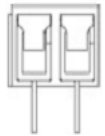

email: info@edcon-components.com

EDCON-COMPONENTS



Ordering Informations

Serie	No. of Pos.	Body Color	Special Function	Wire Protector	Approval Code	ROHS	Packing	EDCON Cust. No.	Customer Version	
A12L064	02	BK	A	1	A	R	B	xxxxxx	xx	

Pitch 5,00	02 = Number of Pos. Standard 2 + 3Pos- ~ 24Pos.	PG = Phoenix Green (Standard)	A = Slotted Screw Type (Standard)	1 = with wire Protector	N = NON Approval	R = ROHS Conform	B = Bulk-Ware	xxxxxx = Customer Number	xxx = Customer Version ??(Printing)
		WH = White			A = UL /UR Approval Please consult EDCON for available	N = NON ROHS Conform			
		GN = Green	B = Cross Slotted Screw Type		2 = without wire Protector	B = VDE Approval Please consult EDCON for available			
		GY = Gray							
		LG = Light Gray							
		OR = Orange							
		BL = Blue							
	BK = Black				1 = Approval for Material				

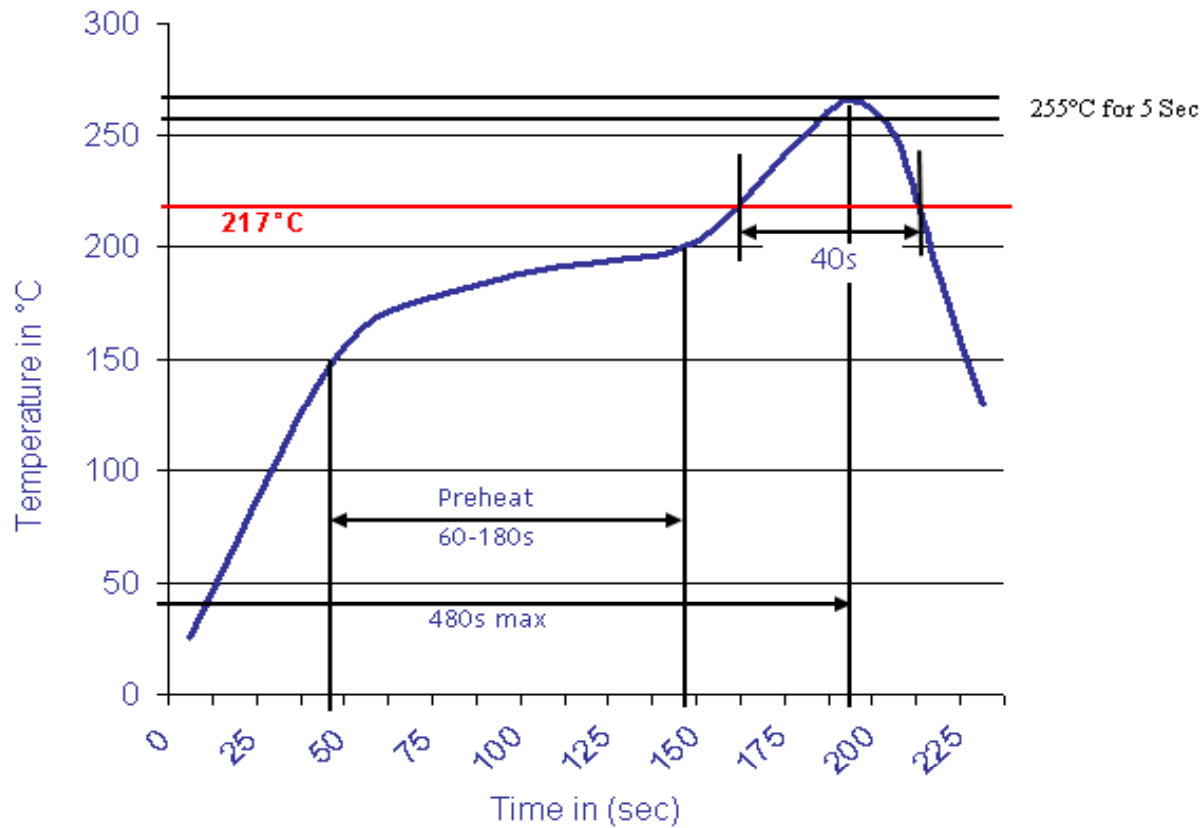
Pluggable Wire Protector Terminal Block	
Part No.:	A12L064
Customer:	

DRW:	Jason	CHKD	Wilson	MATL:	Wilson	TOLERANCE	Mason	DATE	11.10.2021
APPD:	Schumi			FINISH	Jamy		Sheet No.		3 from 4



Soldering Profile Curve

Classification Reflow Profile (JEDEC J-STD-020C)



Pluggable Wire Protector Terminal Block	
Part No.:	A12L064
Customer:	

DRW:	Jason	CHKD	Wilson	MATL:	Wilson	TOLERANCE	Mason	DATE	11.10.2021
APPD:	Schumi			FINISH	Jamy		Sheet No.		4 from 4