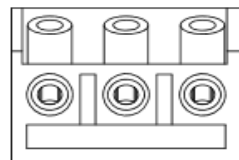
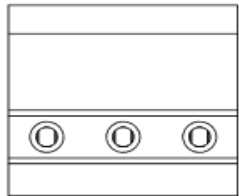
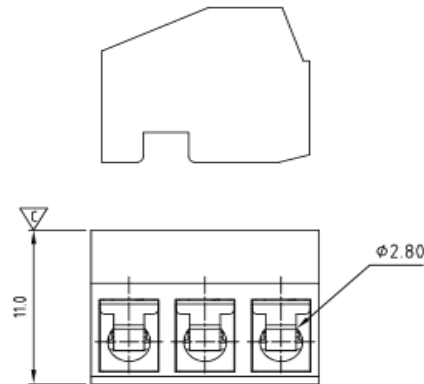
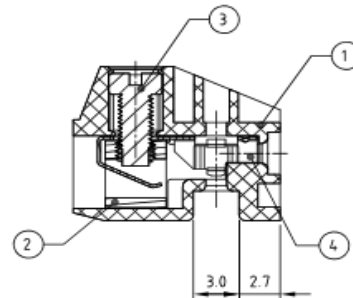
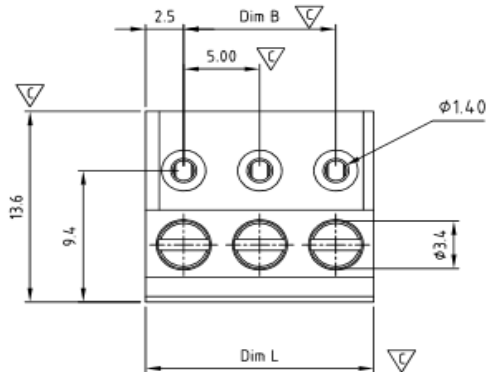


# EDCON-COMPONENTS



## Drawing



## Specification

### APPROVAL

#### Electrical

Standard  
 Rated voltage  
 Rated current  
 Wire range  
 Withstanding voltage  
 Insulation Resistance:



UL  
 300V  
 16A  
 22-14 AWG



IEC  
 250V  
 12A  
 0,34~1.5mm<sup>2</sup>

AC2500V/1Min

1000M Ohm or more @ DC500V

#### Mechanical

Ambient temperature  
 Strip length  
 Screw, Torque

-40°C ~ +115°C

5 ~ 6mm

M2.6, 0.4Nm (3.5Lb-In.)

#### Dimensions

Pitch  
 Poles

5.00mm

2P, 3P - 24P

#### Material

Housing  
 Contact  
 Screw  
 Cage

PA66 (UL94V-0) all Colours  
 Phosphor Bronze  
 steel, Cr<sup>3+</sup> Zn plated  
 Brass, Ni plated

#### Approval

UR VDE



### Certification

Tolerance Informations				
	0~30mm	30~60mm	60~90mm	over 90mm
B	±0,15	±0,20	±0,25	±0,30
L	±0,20	±0,25	±0,30	±0,40

**Pluggable Wire Protector Terminal Block /  
 Pitch 5.00mm Solid-block Type**

Part No.: A12L061

DRW:	Bill	CHKD	Lord	MATL:	Jimmy	TOLERANCE	Sam	DATE	01.04.2022
APPD:	Louis			FINISH	Georg		Sheet No.		1 from 3

Customer:

[www.edcon-components.com](http://www.edcon-components.com)

email: [info@edcon-components.com](mailto:info@edcon-components.com)

Copyright by Siegfried Tiede

**EDCON-COMPONENTS**

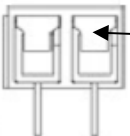


**Ordering Informations**

Serie	-	No. of Pole	Body-Color	wire protector	Screw	-	Customer Request
A12L061	-	XX	XX	X	X	-	X

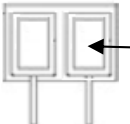
XX = total	WH - white	1 - with wire protector	A - Slotted screw (standard)	
	GN - green	2 - without wire protector	B - Cross-slotted screw	
	GR - gray			
	BL - blue			
	PG - Phoenix Green			
	OR - orange			
LG - light gray				
BK - black				



← wire protector



← without wire protector

	<b>Certification</b>
<b>Pluggable Wire Protector Terminal Block / Pitch 5.00mm Solid-block Type</b>	
Part No.:	A12L061
Customer:	

DRW:	Bill	CHKD	Lord	MATL:	Jimmy	TOLERANCE	Sam	DATE	01.04.2022
APPD:	Louis			FINISH	Georg		Sheet No.		2 from 3

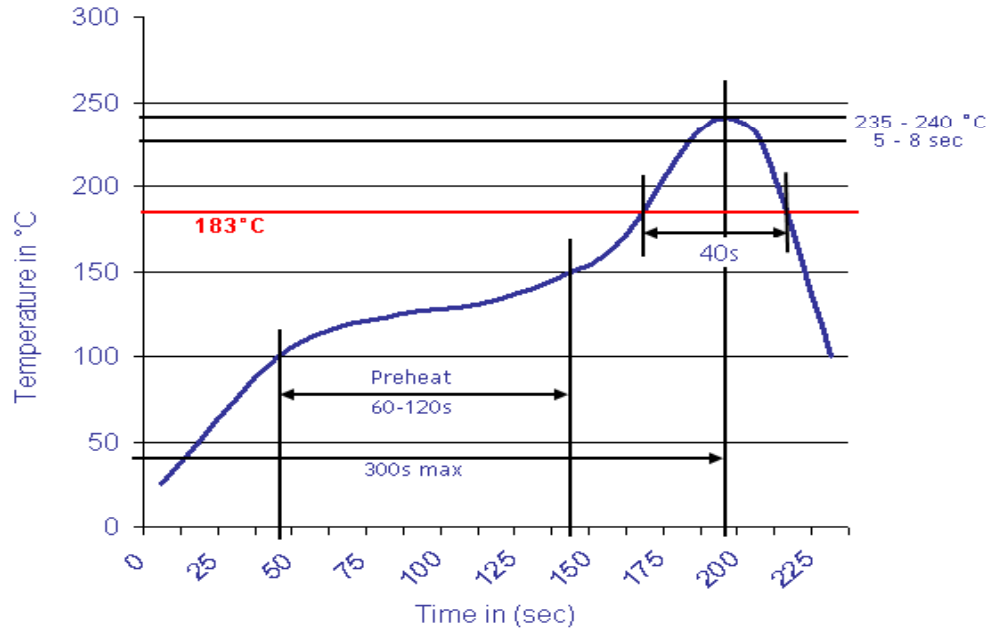
[www.edcon-components.com](http://www.edcon-components.com)

email: [info@edcon-components.com](mailto:info@edcon-components.com)



**Soldering - Profil**

**Classification Reflow Profile (JEDEC J-STD-020C)**



**Pluggable Wire Protector Terminal Block /  
 Pitch 5.00mm Solid-block Type**

Part No.: A12L061

Customer:

DRW:	Bill	CHKD	Lord	MATL:	Jimmy	TOLERANCE	Sam	DATE	01.04.2022
APPD:	Louis			FINISH	Georg		Sheet No.		3 from 3