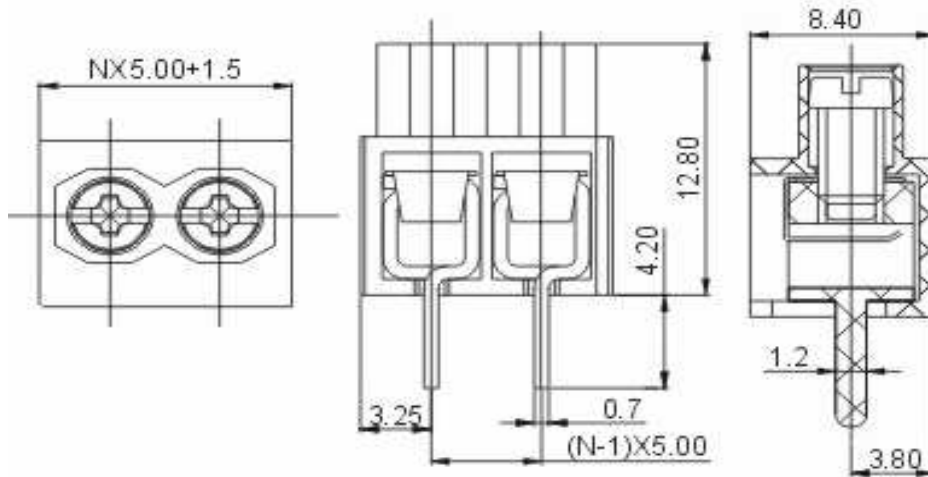


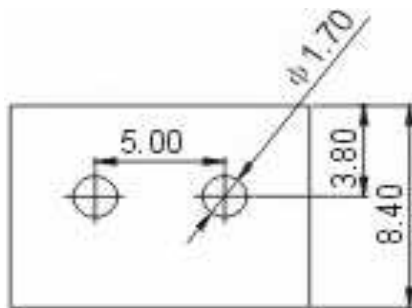
EDCON-COMPONENTS



Drawing



P.C.B. Layout



Specification

APPROVAL			
Electrical		UL	IEC
Standard		300V	250V
Rated voltage		15A	22A
Rated current		22-12 AWG	2.5mm ²
Wire range		AC2000V/1Min	
Withstanding voltage			
Mechanical			
Ambient temperature		-40°C ~ +105°C	
Strip length		6 ~ 7mm	
Screw, Torque		M3, 0.4Nm (3.5Lb-In.)	
Dimensions			
Pitch		5.00mm	
Poles		2P, 3P-24P	
Material			
Housing		PA66 (UL94V-0)	
Pin header		Brass, Tin plated	
Screw		steel, Cr ³⁺ Zn plated	
Wire guard		Phosphor Bronze	



Certification



Wire Protector Terminal Block /
Pitch 5.00mm

Part No.: A12L018

Customer:

DRW:	Bill	CHKD	Lord	MATL:	Jimmy	TOLERANCE	Sam	DATE	14.03.2009
APPD:	Louis			FINISH	Georg			Sheet No.	1 from 3

www.edcon-components.com

email: info@edcon-components.com

EDCON-COMPONENTS



Ordering Informations

Serie	-	No. of Pole	Body-Color	wire protector	Screw	-	Customer Request
A12L018	-	XX	XX	X	X	-	X

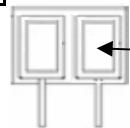
XX = total	WH - white	1 - with wire protector	A - Slotted screw (standard)
	GN - green	2 - without wire protector	B - Cross-slotted screw
	GR - gray		
	BL - blue		



PG - Phoenix Green
OR - orange
LG - light gray
BK - black



wire protector



without wire protector



Certification



Wire Protector Terminal Block /
Pitch 5.00mm

Part No.: A12L018

Customer:

DRW:	Bill	CHKD	Lord	MATL:	Jimmy	TOLERANCE	Sam	DATE	14.03.2009
APPD:	Louis			FINISH	Georg		Sheet No.		2 from 3

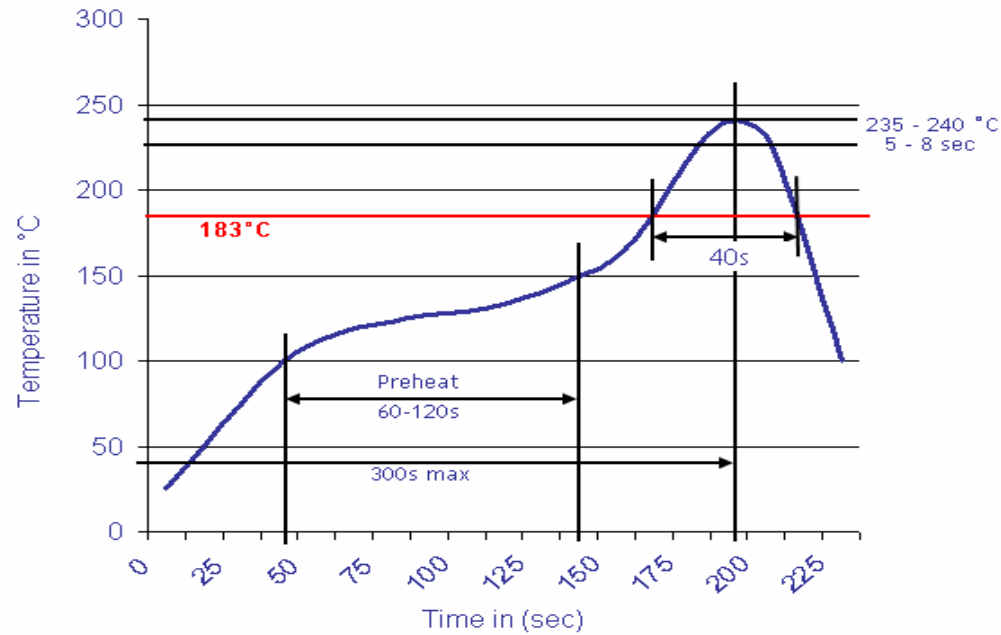
www.edcon-components.com

email: info@edcon-components.com



Soldering - Profil

Classification Reflow Profile (JEDEC J-STD-020C)



Wire Protector Terminal Block /
Pitch 5.00mm

Part No.: A12L018

Customer:

DRW:	Bill	CHKD	Lord	MATL:	Jimmy	TOLERANCE	Sam	DATE	14.03.2009
APPD:	Louis			FINISH	Georg		Sheet No.	3 from 3	