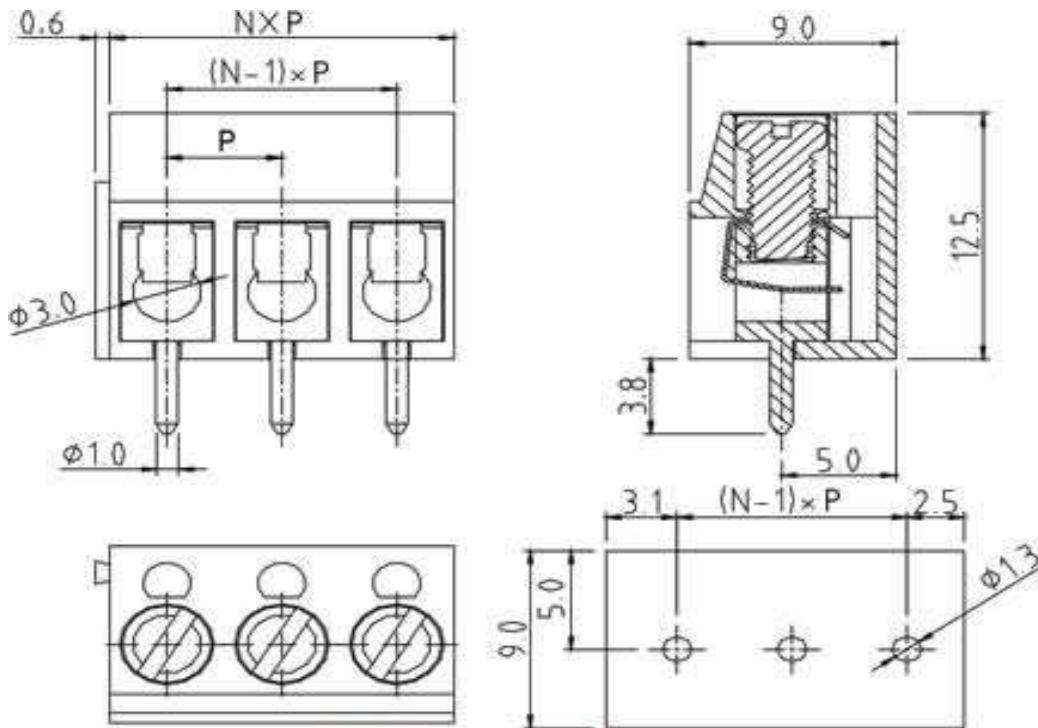




**Drawing**



*N: Number of poles*

**Specification**

**Electrical**

Standard  
Rated voltage  
Rated current  
Wire range  
Withstanding voltage

	US	IEC
Standard	UL	IEC
Rated voltage	300V	250V
Rated current	10A	24A
Wire range	22-14 AWG	2.5mm <sup>2</sup>
Withstanding voltage	AC2000V/1Min	

**Mechanical**

Ambient temperature  
Strip length  
Screw, Torque

-30°C ~ +120°C  
5 ~ 6mm  
M3, 0.5Nm (4.4Lb-In.)

**Dimensions**

Pitch  
Poles

5.00mm  
2P, 3P-24P

**Material**

Housing  
Pin header  
Screw  
Wire guard

PBT (UL94V-0)  
Brass, Tin plated  
steel, Cr<sup>3+</sup> Zn plated  
Stainless steel



**Certification**

Wire Protector Terminal Block /  
Pitch 5.00mm

Part No.: A12L009

Customer:

DRW:	Bill	CHKD	Lord	MATL:	Jimmy	TOLERANCE	Sam	DATE	22.09.2014
APPD:	Louis			FINISH	Georg		Sheet No.		1 from 3

# EDCON-COMPONENTS



## Ordering Informations

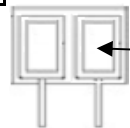
Serie	-	No. of Pole	Body-Color	wire protector	Screw	-	Customer Request
A12L009	-	XX	XX	X	X	-	X

XX = total	WH - white	1 - with wire protector	A - Slotted screw (standard)
	GN - green	2 - without wire protector	B - Cross-slotted screw
	GR - gray		
	LG - light gray		

PG - Phoenix Green
OR - orange
BL - blue
BK - black



wire protector



without wire protector



### Certification

Wire Protector Terminal Block /  
Pitch 5.00mm

Part No.: A12L009

Customer:

DRW:	Bill	CHKD	Lord	MATL:	Jimmy	TOLERANCE	Sam	DATE	22.09.2014
APPD:	Louis			FINISH	Georg			Sheet No.	2 from 3

[www.edcon-components.com](http://www.edcon-components.com)

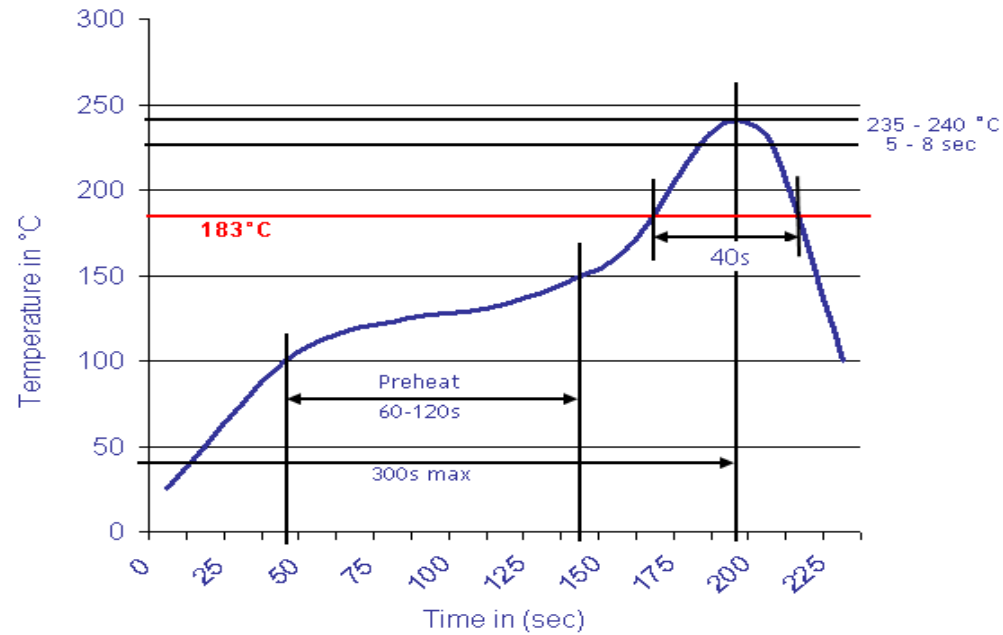
email: [info@edcon-components.com](mailto:info@edcon-components.com)

# EDCON-COMPONENTS



## Soldering - Profil

### Classification Reflow Profile (JEDEC J-STD-020C)



Wire Protector Terminal Block /  
Pitch 5.00mm

Part No.: A12L009

Customer:

DRW:	Bill	CHKD	Lord	MATL:	Jimmy	TOLERANCE	Sam	DATE	22.09.2014
APPD:	Louis			FINISH	Georg			Sheet No.	3 from 3

[www.edcon-components.com](http://www.edcon-components.com)

email: [info@edcon-components.com](mailto:info@edcon-components.com)