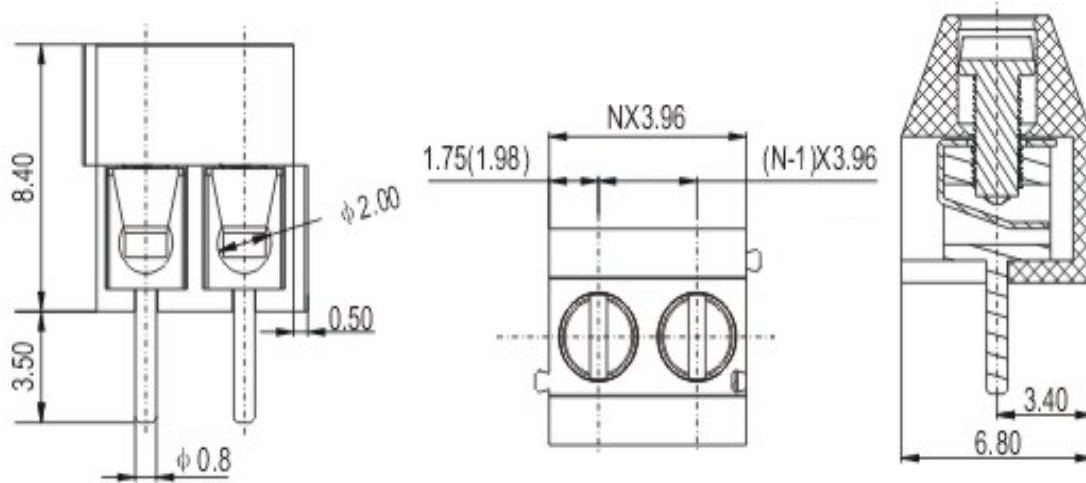


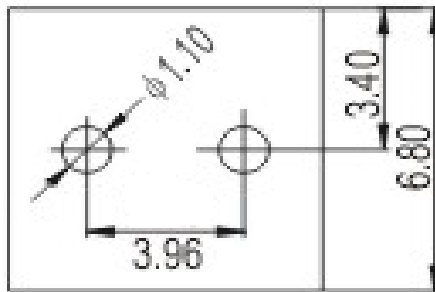
EDCON-COMPONENTS



Drawing



P.C.B. Layout



Specification

APPROVAL



Electrical:

Standard
Rated voltage
Rated current
Wire range
Withstanding voltage

UL	IEC
300V	130V
7A	10A
24-18AWG	1.0mm ²
AC1250V/1Min	

Mechanical

Ambient temperature
Strip length
Torque

-30°C ~ +120°C
5~6mm
0.2Nm (1.7Lb-In.)

Dimensions

Pitch
Poles

3.96mm
2P, 3P-24P

Material

Housing
Pin header
Screw
Wire guard

PA66, UL94V-0
Brass, Tin plated
M2, steel, Cr³⁺ Zn plated
Phosphor bronze



Certification



Wire Protector Terminal Block /
Pitch 3.96mm

Part No.: A12I001

Customer:

DRW:	Bill	CHKD	Lord	MATL:	Jimmy	TOLERANCE	Sam	DATE	14.3.2009
APPD:	Louis			FINISH	Georg			Sheet No.	1 from 2

www.edcon-components.com

email: info@edcon-components.com

EDCON-COMPONENTS



Ordering Informations

Serie	-	No. of Pole	Body-Color	-	wire protector	-	Customer Request
A12I001	-	XX	XX	-	X	-	X

XX = total	WH - white
	GN - green
	GR - gray (standard)
	PG - Phoenix Green
	OR - orange (standard)
	BK - black
	BL - blue
	LG - light gray

1 - with wire protector
2 - without wire protector



Wire Protector Terminal Block /
Pitch 3.96mm

Part No.: A12I001

Customer:

DRW:	Bill	CHKD	Lord	MATL:	Jimmy	TOLERANCE	Sam	DATE	14.3.2009
APPD:	Louis			FINISH	Georg			Sheet No.	2 from 2

www.edcon-components.com

email: info@edcon-components.com