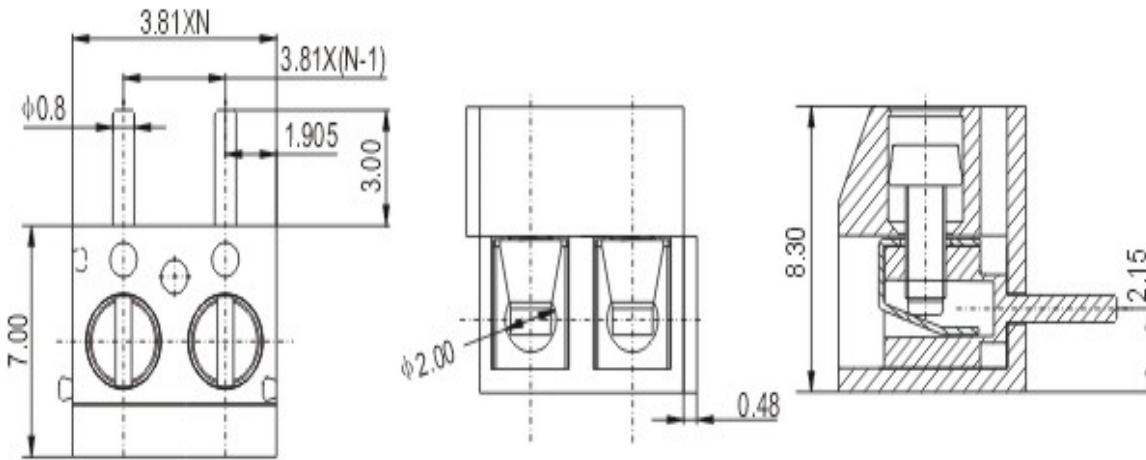


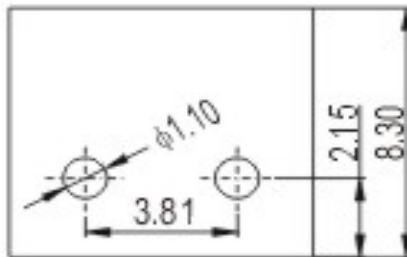
EDCON-COMPONENTS



Drawing



P.C.B. Layout



Specification

APPROVAL	ULus	VDE
Electrical:		
Standard	UL	IEC
Rated voltage	300V	130V
Rated current	7A	10A
Wire range	24-18AWG	1.0mm ²
Withstanding voltage	AC1250V/1Min	
Mechanical		
Ambient temperature	-40°C ~ +105°C	
Strip length	5~6mm	
Torque	0.2Nm (1.7Lb-In.)	
Dimensions		
Pitch	3.81mm	
Poles	2P, 3P-24P	
Material		
Housing	PA66, UL94V-0	
Pin header	Brass, Tin plated	
Screw	M2, steel, Cr ³⁺ Zn plated	
Wire guard	Phosphor bronze	



Certification



Wire Protector Terminal Block /
Pitch 3.81mm

Part No.: A12H002

Customer:

DRW:	Bill	CHKD	Lord	MATL:	Jimmy	TOLERANCE	Sam	DATE	14.3.2009
APPD:	Louis			FINISH	Georg			Sheet No.	1 from 2

www.edcon-components.com

email: info@edcon-components.com

EDCON-COMPONENTS



Ordering Informations

Serie	-	No. of Pole	Body-Color	-	wire protector	-	Customer Request
A12H002	-	XX	XX	-	X	-	X

XX = total	WH - white
	GN - green
	GR - gray (standard)
	PG - Phoenix Green
	OR - orange (standard)
	BK - black
	BL - blue
	LG - light gray

1 - with wire protector
2 - without wire protector



[Certification](#)



Wire Protector Terminal Block /
Pitch 3.81mm

Part No.: A12H002

Customer:

DRW:	Bill	CHKD	Lord	MATL:	Jimmy	TOLERANCE	Sam	DATE	14.3.2009
APPD:	Louis			FINISH	Georg			Sheet No.	2 from 2

www.edcon-components.com

email: info@edcon-components.com