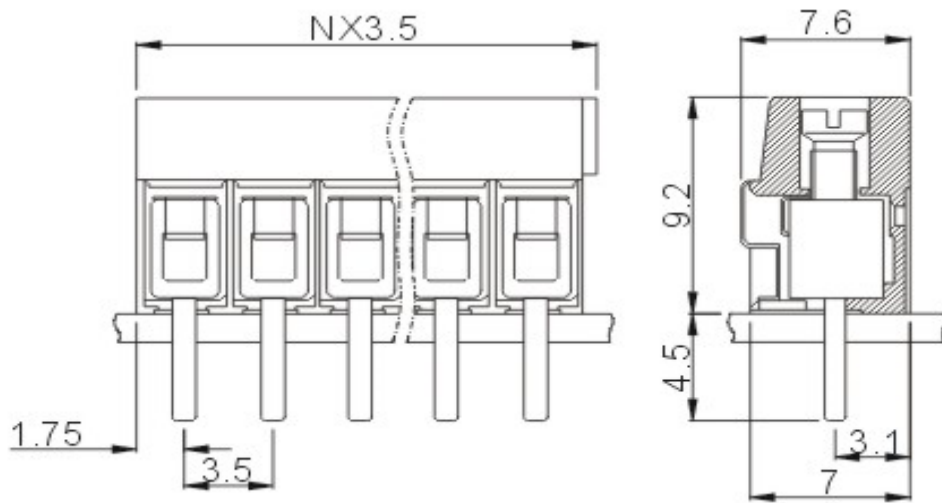


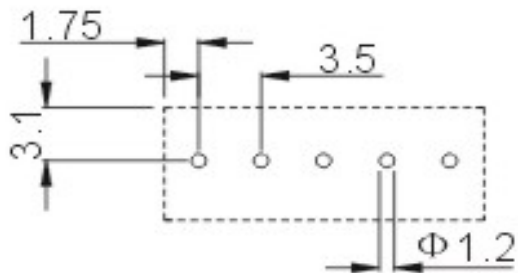
# EDCON-COMPONENTS



## Drawing



## P.C.B. Layout



## Specification

### Electrical:

Standard	UL	IEC
Rated voltage	300V	200V
Rated current	10A	17.5A
Wire range	26-16AWG	1.5mm <sup>2</sup>
Withstanding voltage	AC1500V/1Min	

### Mechanical

Ambient temperature	-40°C ~ +105°C
Strip length	5mm
Torque	0.2Nm (1.7Lb-In.)

### Dimensions

Pitch	3.50mm
Poles	2P, 3P-24P

### Material

Housing	PA66, UL94V-0
Pin header	Brass, Tin plated
Screw	M2, steel, Cr <sup>3+</sup> Zn plated
Wire guard	Stainless steel



Wire Protector Terminal Block /  
Pitch 3.50mm

Part No.: A12G014

Customer:

DRW:	Bill	CHKD	Lord	MATL:	Jimmy	TOLERANCE	Sam	DATE	14.3.2009
APPD:	Louis			FINISH	Georg			Sheet No.	1 from 2

[www.edcon-components.com](http://www.edcon-components.com)

email: [info@edcon-components.com](mailto:info@edcon-components.com)

# EDCON-COMPONENTS



## Ordering Informations

Serie	-	No. of Pole	Body-Color	-	wire protector	-	Customer Request
<b>A12G014</b>	-	<b>XX</b>	<b>XX</b>	-	<b>X</b>	-	<b>X</b>

XX = total	<b>WH</b> - white
	<b>GN</b> - green
	<b>GR</b> - gray <i>(standard)</i>
	<b>PG</b> - Phoenix Green
	<b>OR</b> - orange <i>(standard)</i>
	<b>BK</b> - black
	<b>BL</b> - blue
	<b>LG</b> - light gray

<b>1</b> - with wire protector
<b>2</b> - without wire protector



Wire Protector Terminal Block /  
Pitch 3.50mm

Part No.: A12G014

Customer:

DRW:	Bill	CHKD	Lord	MATL:	Jimmy	TOLERANCE	Sam	DATE	14.3.2009
APPD:	Louis			FINISH	Georg			Sheet No.	2 from 2

[www.edcon-components.com](http://www.edcon-components.com)

email: [info@edcon-components.com](mailto:info@edcon-components.com)