

Data Sheet

Wire Protector Terminal Block

Serie: 3,50 mm

Serie: A12G013

Customer Information for special Item

EDCON Customer : xxxxxx

Customer Version No. : xx

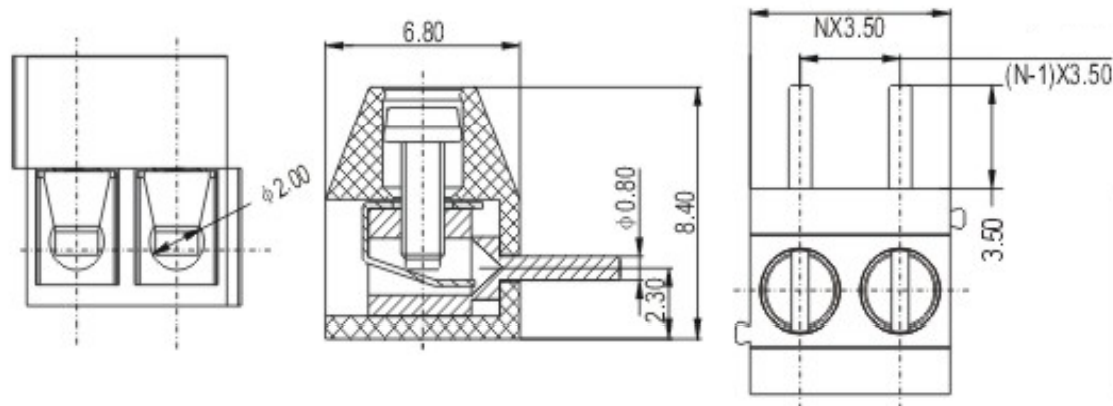
EDCON-COMPONENTS



Technical Discription

Electrical	UL	IEC
Rated Voltage	300 Volt	130V
Rated Current	7A	13,5A
Wire Range		
Solid Wire	AWG 28~14	1,5mm ²
Stranged Wire	AWG 28~16	1,0mm ²
Withstanding Voltage		1,25KV
Insulation Resistance		5000MΩ / 1000V
Mechanical		
Operating Temperature		-40°C ~ +115°C
Wire Strip Length		6-7mm
Dimensions		
Pitch (mm)		3,50
Poles		2 + 3Pos. ~ 24 Pos.
Materials		
Body	Brass (CuZn) Tin Plated	a
Screw	Steel (Zinc Plated)	b
Wire Guard	Stainless Steel	c
Housing	Thermoplastic (UL94V-0)	d

Drawing (Dimension in mm)



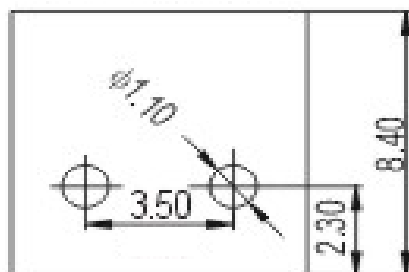
							Tolerances unless otherwise specified (mm)			Wire Protector Terminal Block	
						x	x.x	x.xx	x.xxx		Angle
						±0,50	±0,30	±0,1	±	±3°	Part No.: A12G013
DRW:	Jason	CHKD	Wilson	MATL:	Wilson	TOLERANCE	Mason	DATE	01.08.2018	Customer:	
APPD:	Schumi			FINISH	Jamy			Sheet No.	1 from 4		

EDCON-COMPONENTS



PCB Layout (Dimension mm)

Dimensions (mm)



No. of Pos.	N	Tol. L	Pitch	Tol. B
02	5,48	± 0,15	3,50	± 0,10
03	8,98	± 0,15	7,00	± 0,10
04	12,48	± 0,15	10,50	± 0,10
05	15,98	± 0,15	14,00	± 0,10
06	19,48	± 0,15	17,50	± 0,10
07	22,98	± 0,20	21,00	± 0,20
08	26,48	± 0,20	24,50	± 0,20
09	29,98	± 0,20	28,00	± 0,20
10	33,48	± 0,20	31,50	± 0,20
11	36,98	± 0,20	35,00	± 0,20
12	40,48	± 0,20	38,50	± 0,20
13	43,98	± 0,30	42,00	± 0,25
14	47,48	± 0,30	45,50	± 0,25
15	50,98	± 0,30	49,00	± 0,25
16	54,48	± 0,30	52,50	± 0,25
17	57,98	± 0,30	56,00	± 0,25
18	61,48	± 0,30	59,50	± 0,25
19	64,98	± 0,40	63,00	± 0,25
20	68,48	± 0,40	66,50	± 0,30
21	71,98	± 0,40	70,00	± 0,30
22	75,48	± 0,40	73,50	± 0,30
23	78,98	± 0,40	77,00	± 0,30
24	82,48	± 0,40	80,50	± 0,30

Wire Protector Terminal Block

Part No.: **A12G013**

DRW:	Jason	CHKD	Wilson	MATL:	Wilson	TOLERANCE	Mason	DATE	01.08.2018
APPD:	Schumi			FINISH	Jamy		Sheet No.		2 from 4



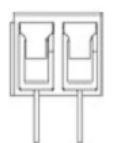
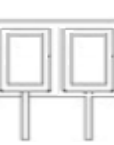
Customer:

EDCON-COMPONENTS



Ordering Informations

Serie	No. of Pos.	Body Color	Special Function	Wire Protector	Approval Code	ROHS	Packing	EDCON Cust. No.	Customer Version
A12G013	02	BL	A	1	N	R	B	xxxxxx	xx

Pitch 3,50	02 = Number of Pos. Standard 2 + 3Pos- ~ 24Pos.	PG = Phoenix Green (Standard) WH = White GN = Green GY = Gray LG = Light Gray OR = Orange BL = Blue BK = Black	A = Slotted Screw Type (Standard)  B = Cross Slotted Screw Type 	1 = with wire Protector  2 = without wire Protector 	N = NON Approval A = UL /UR Approval Please consult EDCON for available B = VDE Approval Please consult EDCON for available C = TÜV Approval Please consult EDCON for available 1 = Approval for Material	R = ROHS Conform N = NON ROHS Conform	B = Bulk-Ware I = Individual Package	xxxxxx = Customer Number	xxx = Customer Version ??(Printing)
---------------	---	---	---	--	--	--	---	---------------------------------	--

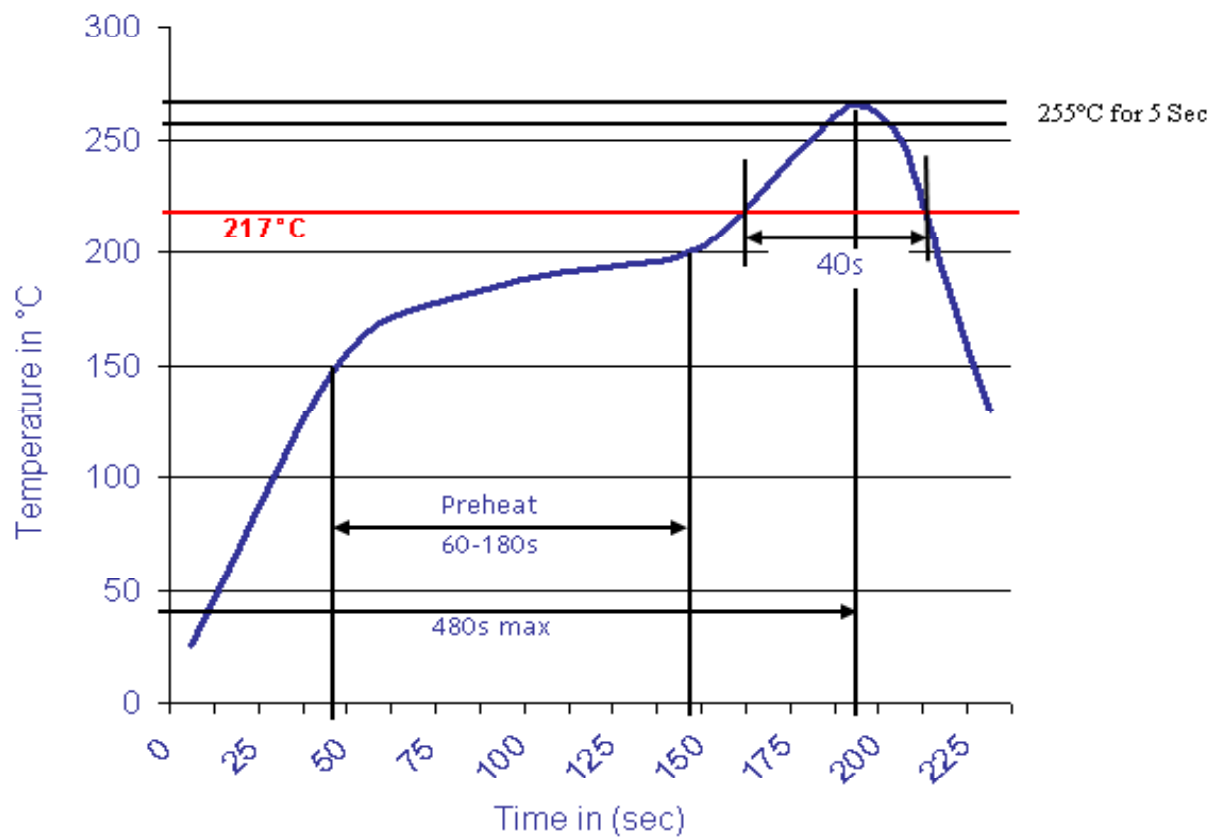
Wire Protector Terminal Block	
Part No.:	A12G013
Customer:	

DRW:	Jason	CHKD	Wilson	MATL:	Wilson	TOLERANCE	Mason	DATE	01.08.2018
APPD:	Schumi			FINISH	Jamy		Sheet No.		3 from 4



Soldering Profile Curve

Classification Reflow Profile (JEDEC J-STD-020C)



Wire Protector Terminal Block	
Part No.:	A12G013
Customer:	

DRW:	Jason	CHKD	Wilson	MATL:	Wilson	TOLERANCE	Mason	DATE	01.08.2018
APPD:	Schumi			FINISH	Jamy		Sheet No.	4 from 4	