

Data Sheet

Wire Protector Terminal Block

Serie: 3,50 mm

Serie: A12G012

Customer Information for special Item

EDCON Customer : 0

Customer Version No. : 0

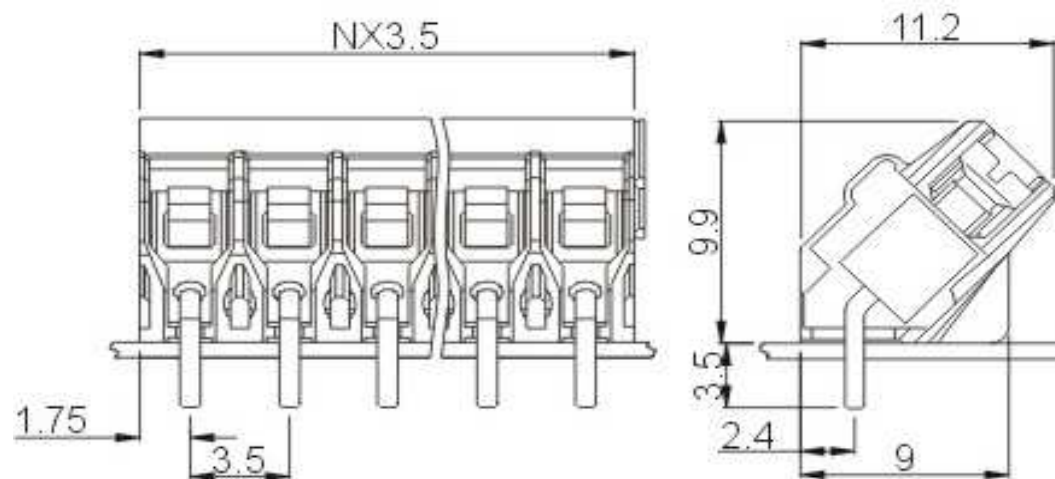
EDCON-COMPONENTS



Technical Discription

Electrical	UL	IEC	
Rated Voltage	250 Volt	200V	
Rated Current	16A	17,5A	
Wire Range			
Solid Wire	AWG 14~26 /1,5mm ²		
Stranged Wire	AWG 14~26		
Withstanding Voltage	1,5KV		
Insulation Resistance	5000MΩ / 1000V		
Mechanical			
Operating Temperature	. -40°C ~ +105°C		
Wire Strip Length	5mm		
Dimensions			
Pitch (mm)	3,50		
Poles	2 + 3Pos. ~ 24 Pos.		
Materials			
Body	Brass (CuZn) Tin Plated	a	
Screw	Steel (Zinc Plated)	b	
Wire Guard	Stainless Steel	c	
Housing	PA66 UL94V-0	d	

Drawing (Dimension in mm)



Wire Protector Terminal Block

Part No.: **A12G012**

Customer:

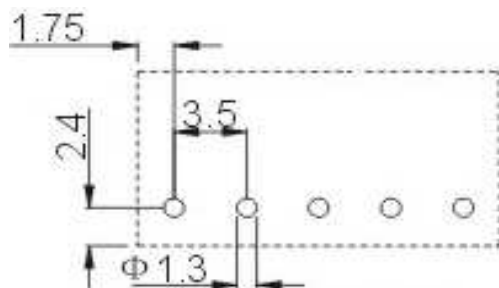
DRW:	Jason	CHKD	Wilson	MATL:	Wilson	TOLERANCE	Mason	DATE	28.10.2015
APPD:	Schumi			FINISH	Jamy		Sheet No.		1 from 4

EDCON-COMPONENTS



PCB Layout (Dimension mm)

Dimensions (mm)



No. of Pos.	N	Tol. N	B	Tol. B
02	7,00	± 0,15	3,50	± 0,10
03	10,50	± 0,15	7,00	± 0,10
04	14,00	± 0,15	10,50	± 0,10
05	17,50	± 0,15	14,00	± 0,10
06	21,00	± 0,15	17,50	± 0,10
07	24,50	± 0,20	21,00	± 0,20
08	28,00	± 0,20	24,50	± 0,20
09	31,50	± 0,20	28,00	± 0,20
10	35,00	± 0,20	31,50	± 0,20
11	38,50	± 0,20	35,00	± 0,20
12	42,00	± 0,20	38,50	± 0,20
13	45,50	± 0,30	42,00	± 0,25
14	49,00	± 0,30	45,50	± 0,25
15	52,50	± 0,30	49,00	± 0,25
16	56,00	± 0,30	52,50	± 0,25
17	59,50	± 0,30	56,00	± 0,25
18	63,00	± 0,30	59,50	± 0,25
19	66,50	± 0,40	63,00	± 0,25
20	70,00	± 0,40	66,50	± 0,30
21	73,50	± 0,40	70,00	± 0,30
22	77,00	± 0,40	73,50	± 0,30
23	80,50	± 0,40	77,00	± 0,30
24	84,00	± 0,40	80,50	± 0,30

Wire Protector Terminal Block

Part No.: **A12G012**

DRW:	Jason	CHKD	Wilson	MATL:	Wilson	TOLERANCE	Mason	DATE	28.10.2015
APPD:	Schumi			FINISH	Jamy		Sheet No.	2 from 4	

Customer:



EDCON-COMPONENTS



Ordering Informations

Serie	No. of Pos.	Body Color	No Function	Approval Code	ROHS	Packing	EDCON Cust. No.	Customer Version		
-------	-------------	------------	-------------	---------------	------	---------	-----------------	------------------	--	--

A12G012	02	PG	A	N	R	B				
----------------	-----------	-----------	----------	----------	----------	----------	--	--	--	--

Pitch 3,50	02 = Number of Pos. Standard 2 + 3Pos- ~ 24Pos.	PG = Phoenix Green (Standard) WH = White GN = Green GY = Gray LG = Light Gray OR = Orange BL = Blue BK = Black	A = Slotted Screw Type (Standard)  B = Cross Slotted Screw Type 	N = NON Approval A = UL /UR Approval Please consult EDCON for available B = VDE Approval Please consult EDCON for available C = TÜV Approval Please consult EDCON for available	R = ROHS Conform N = NON ROHS Conform	B = Bulk-Ware I = Individual Package	xxxxxx = Customer Number	xxx = Customer Version ??(Printing)		
---------------	---	---	---	--	--	---	---------------------------------	--	--	--

Wire Protector Terminal Block

Part No.: **A12G012**

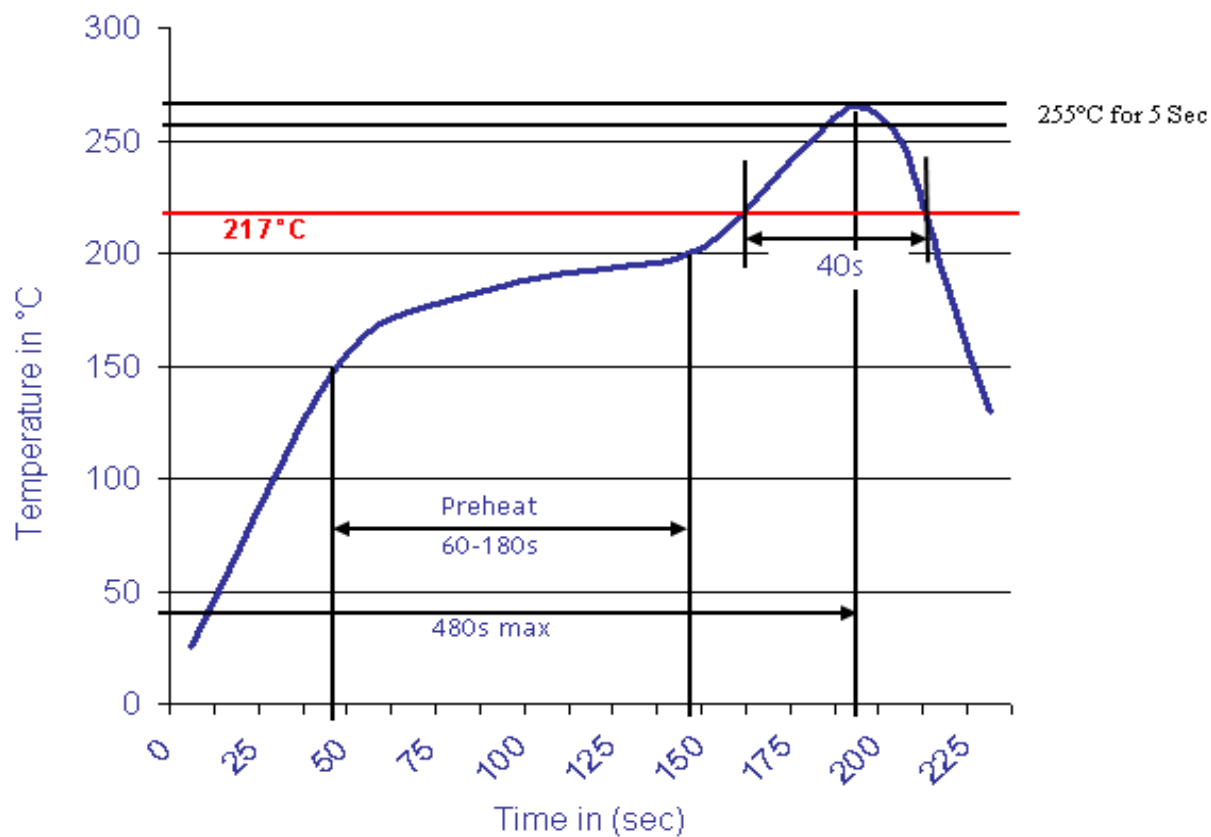
DRW:	Jason	CHKD	Wilson	MATL:	Wilson	TOLERANCE	Mason	DATE	28.10.2015
APPD:	Schumi			FINISH	Jamy			Sheet No.	3 from 4

Customer:



Soldering Profile Curve

Classification Reflow Profile (JEDEC J-STD-020C)



Wire Protector Terminal Block	
Part No.:	A12G012
Customer:	

DRW:	Jason	CHKD	Wilson	MATL:	Wilson	TOLERANCE	Mason	DATE	28.10.2015
APPD:	Schumi			FINISH	Jamy		Sheet No.	4 from 4	