

# Data Sheet

## Wire Protector Terminal Block

**Serie: 3,50 mm**

**Serie: A12G011**

## Customer Information for special Item

**EDCON Customer : xxxxxx**

**Customer Version No. : xx**

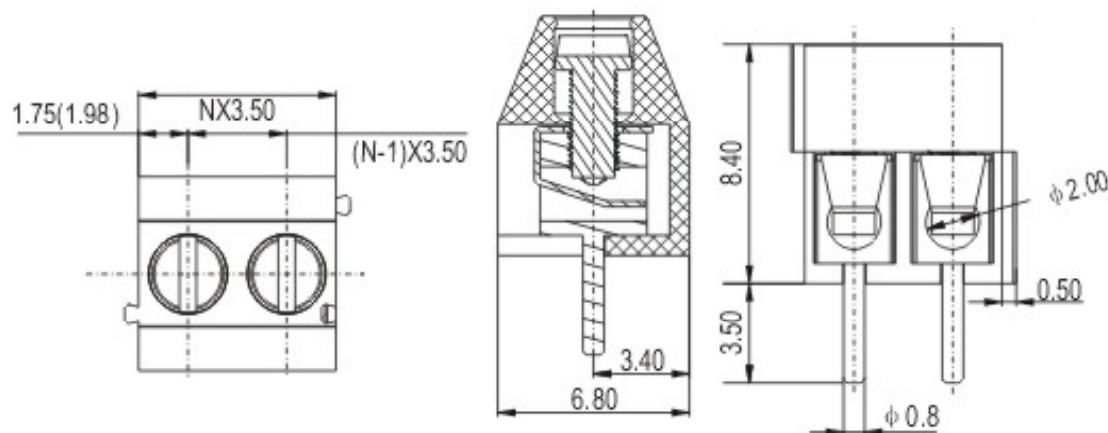
# EDCON-COMPONENTS



## Technical Discription

<b>Electrical</b>	UL	IEC
Rated Voltage	300 Volt	130V
Rated Current	7A	13,5A
<b>Wire Range</b>		
Solid Wire	AWG 28~14	1,5mm <sup>2</sup>
Stranged Wire	AWG 28~16	1,0mm <sup>2</sup>
Withstanding Voltage		1,25KV
Insulation Resistance		5000MΩ / 1000V
<b>Mechanical</b>		
Operating Temperature		-40°C ~ +115°C
Wire Strip Length		6-7mm
<b>Dimensions</b>		
Pitch (mm)		3,50
Poles		2 + 3Pos. ~ 24 Pos.
<b>Materials</b>		
Body	Brass (CuZn) Tin Plated	a
Screw	Steel (Zinc Plated)	b
Wire Guard	Stainless Steel	c
Housing	Thermoplastic ( UL94V-0)	d

## Drawing (Dimension in mm)



### Wire Protector Terminal Block

Part No.: **A12G011**

Customer:

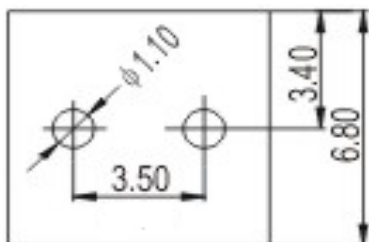
Tolerances unless otherwise specified (mm)				
x	x.x	x.xx	x.xxx	Angle
±0,50	±0,30	±0,1	±	±3°
DRW: Jason	CHKD: Wilson	MATL: Wilson	DATE: 01.08.2018	Customer:
APPD: Schumi	FINISH: Jamy	TOLERANCE: Mason	Sheet No. 1 from 4	

# EDCON-COMPONENTS



PCB Layout (Dimension mm)

Dimensions (mm)



No. of Pos.	N	Tol. L	Pitch	Tol. B
02	5,48	± 0,15	3,50	± 0,10
03	8,98	± 0,15	7,00	± 0,10
04	12,48	± 0,15	10,50	± 0,10
05	15,98	± 0,15	14,00	± 0,10
06	19,48	± 0,15	17,50	± 0,10
07	22,98	± 0,20	21,00	± 0,20
08	26,48	± 0,20	24,50	± 0,20
09	29,98	± 0,20	28,00	± 0,20
10	33,48	± 0,20	31,50	± 0,20
11	36,98	± 0,20	35,00	± 0,20
12	40,48	± 0,20	38,50	± 0,20
13	43,98	± 0,30	42,00	± 0,25
14	47,48	± 0,30	45,50	± 0,25
15	50,98	± 0,30	49,00	± 0,25
16	54,48	± 0,30	52,50	± 0,25
17	57,98	± 0,30	56,00	± 0,25
18	61,48	± 0,30	59,50	± 0,25
19	64,98	± 0,40	63,00	± 0,25
20	68,48	± 0,40	66,50	± 0,30
21	71,98	± 0,40	70,00	± 0,30
22	75,48	± 0,40	73,50	± 0,30
23	78,98	± 0,40	77,00	± 0,30
24	82,48	± 0,40	80,50	± 0,30

**Wire Protector Terminal Block**

Part No.: **A12G011**

Customer:



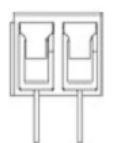
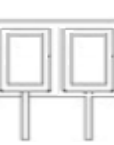
DRW:	Jason	CHKD	Wilson	MATL:	Wilson	TOLERANCE	Mason	DATE	01.08.2018
APPD:	Schumi			FINISH	Jamy		Sheet No.		2 from 4

# EDCON-COMPONENTS



## Ordering Informations

Serie	No. of Pos.	Body Color	Special Function	Wire Protector	Approval Code	ROHS	Packing	EDCON Cust. No.	Customer Version
<b>A12G011</b>	<b>02</b>	<b>BL</b>	<b>A</b>	<b>1</b>	<b>N</b>	<b>R</b>	<b>B</b>	<b>xxxxxx</b>	<b>xx</b>

Pitch 3,50	<b>02=</b> Number of Pos. Standard 2 + 3Pos- ~ 24Pos.	<b>PG=</b> Phoenix Green (Standard) <b>WH=</b> White <b>GN=</b> Green <b>GY=</b> Gray <b>LG=</b> Light Gray <b>OR=</b> Orange <b>BL=</b> Blue <b>BK=</b> Black	<b>A=</b> Slotted Screw Type (Standard)  <b>B=</b> Cross Slotted Screw Type 	<b>1=</b> with wire Protector  <b>2=</b> without wire Protector 	<b>N=</b> NON Approval <b>A=</b> UL /UR Approval Please consult EDCON for available <b>B=</b> VDE Approval Please consult EDCON for available <b>C=</b> TÜV Approval Please consult EDCON for available <b>1=</b> Approval for Material	<b>R=</b> ROHS Conform <b>N=</b> NON ROHS Conform	<b>B=</b> Bulk-Ware <b>I=</b> Individual Package	<b>xxxxxx=</b> Customer Number	<b>xxx=</b> Customer Version ??(Printing)
---------------	--	---	---	--	---	--	---	--------------------------------	---

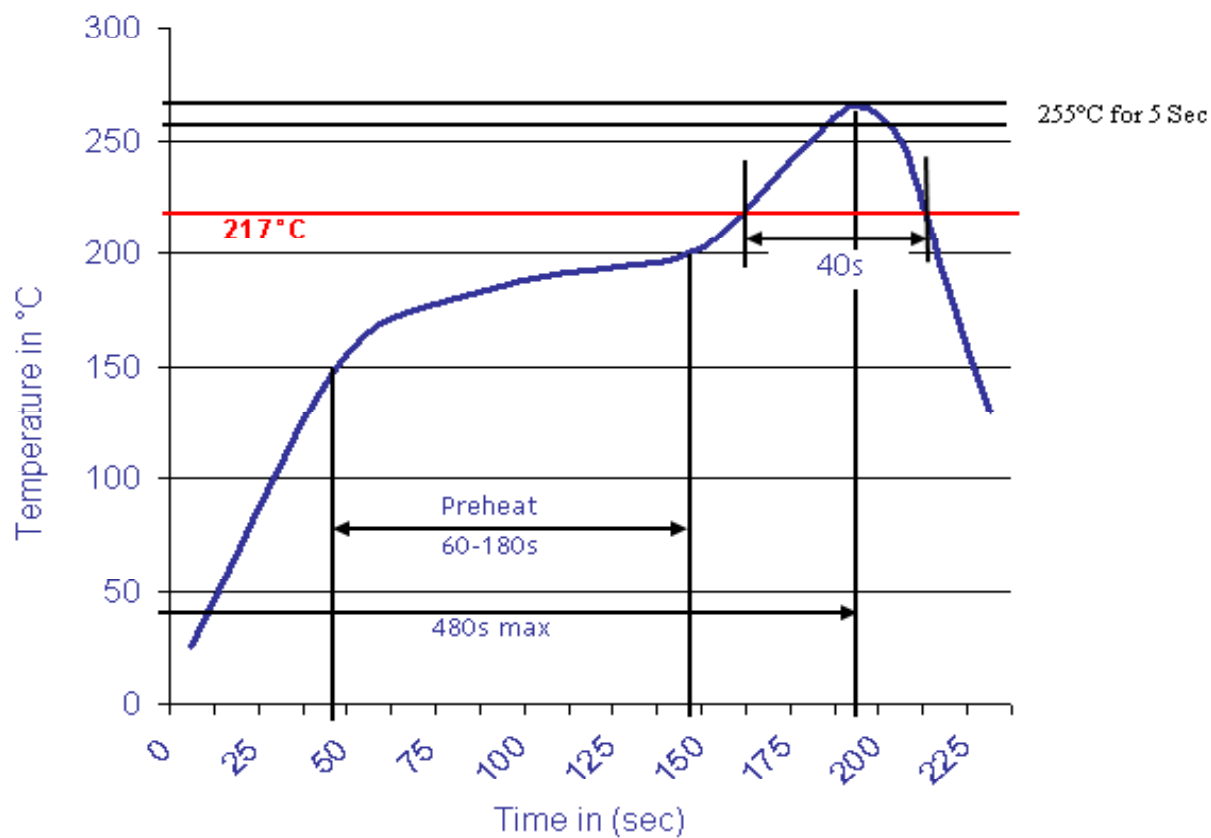
<b>Wire Protector Terminal Block</b>	
Part No.:	<b>A12G011</b>
Customer:	

DRW:	Jason	CHKD	Wilson	MATL:	Wilson	TOLERANCE	Mason	DATE	01.08.2018
APPD:	Schumi			FINISH	Jamy		Sheet No.		3 from 4



Soldering Profile Curve

Classification Reflow Profile (JEDEC J-STD-020C)



<b>Wire Protector Terminal Block</b>	
Part No.:	<b>A12G011</b>
Customer:	

DRW:	Jason	CHKD	Wilson	MATL:	Wilson	TOLERANCE	Mason	DATE	01.08.2018
APPD:	Schumi			FINISH	Jamy		Sheet No.	4 from 4	