

Data Sheet

Screwless Terminal Block

Pitch: 10,00 mm

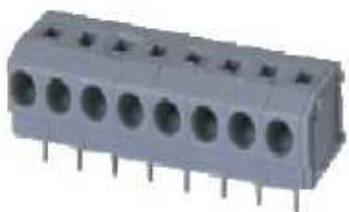
Serie: A11T021

Customer Information for special Item

EDCON Customer : 0

Customer Version No. : 0

EDCON-COMPONENTS



Technical Discription

Drawing (Dimension in mm)

Electrical

Standard UL, VDE
 Rated voltage 300V
 Rated current 10A
 Wire range 20-14 AWG

Mechanical

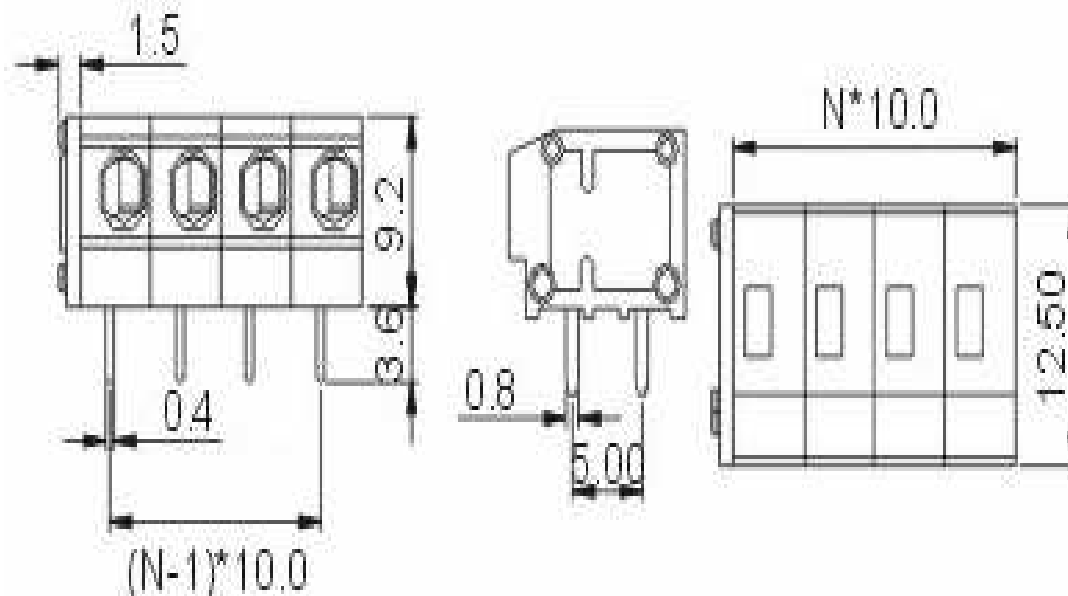
Operating temperature -40°C ~ +105°C

Dimensions

Pitch 10.00mm
 Poles 2P - 24P

Material

Housing Nylon PA66 (UL94V-0)
 Pin header Brass Tin-plated
 Wire guard Stainless steel



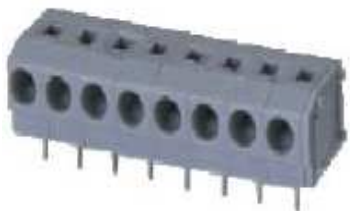
Screwless Terminal Block

Part No.: **A11T021**

Customer:

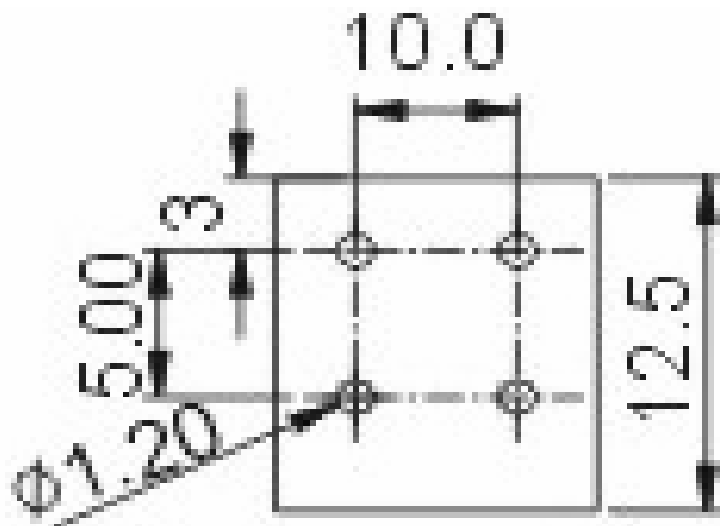
DRW:	Jason	CHKD	Wilson	MATL:	Wilson	TOLERANCE	Mason	DATE	10.02.2014
APPD:	Schumi			FINISH	Jamy		Sheet No.	1 from 4	

EDCON-COMPONENTS



PCB Layout (Dimension in mm)

Dimensions (mm)



No. of Pos.	A	Tol. P	B	Tol. P
02	21,50	± 0,35	10,00	± 0,35
03	31,50	± 0,35	20,00	± 0,35
04	41,50	± 0,35	30,00	± 0,35
05	51,50	± 0,35	40,00	± 0,35
06	61,50	± 0,35	50,00	± 0,35
07	71,50	± 0,35	60,00	± 0,35
08	81,50	± 0,35	70,00	± 0,35
09	91,50	± 0,35	80,00	± 0,35
10	101,50	± 0,35	90,00	± 0,35
11	111,50	± 0,35	100,00	± 0,35
12	121,50	± 0,35	110,00	± 0,35
13	131,50	± 0,35	120,00	± 0,35
14	141,50	± 0,35	130,00	± 0,35
15	151,50	± 0,35	140,00	± 0,35
16	161,50	± 0,35	150,00	± 0,35
17	171,50	± 0,35	160,00	± 0,35
18	181,50	± 0,35	170,00	± 0,35
19	191,50	± 0,35	180,00	± 0,35
20	201,50	± 0,35	190,00	± 0,35
21	211,50	± 0,35	200,00	± 0,35
22	221,50	± 0,35	210,00	± 0,35
23	231,50	± 0,35	220,00	± 0,35
24	241,50	± 0,35	230,00	± 0,35

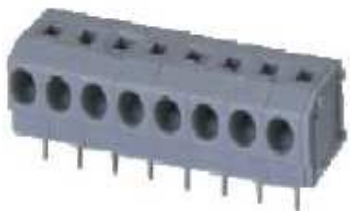
Screwless Terminal Block

Part No.: **A11T021**

DRW:	Jason	CHKD	Wilson	MATL:	Wilson	TOLERANCE	Mason	DATE	10.02.2014
APPD:	Schumi			FINISH	Jamy		Sheet No.		2 from 4

Customer:

EDCON-COMPONENTS



Ordering Informations

Serie	No. of Pos.	Body Color	Approval	Approval Code	ROHS	Packing	EDCON Cust. No.	Customer Version		
A11T021	02	GY	N	N	R	B				

Pitch
10,00

02 = Number of Pos. Standard 2~24 Pos.	GY = Gray (Standard) GN = Green OR = Orange BK = Black	N = No Approval 1 = Approval for Material 2 = Approval for Terminal Block	N = NON Approval A = UL /UR Approval Please consult EDCON for available B = VDE Approval Please consult EDCON for available C = TÜV Approval Please consult EDCON for available	R = ROHS Conform N = NON ROHS Conform	B = Standard Package I = Individual Package	xxxxxx = Customer Number	xxx = Customer Version ??(Printing)
--	---	--	--	--	--	---------------------------------	--

Screwless Terminal Block

Part No.: **A11T021**

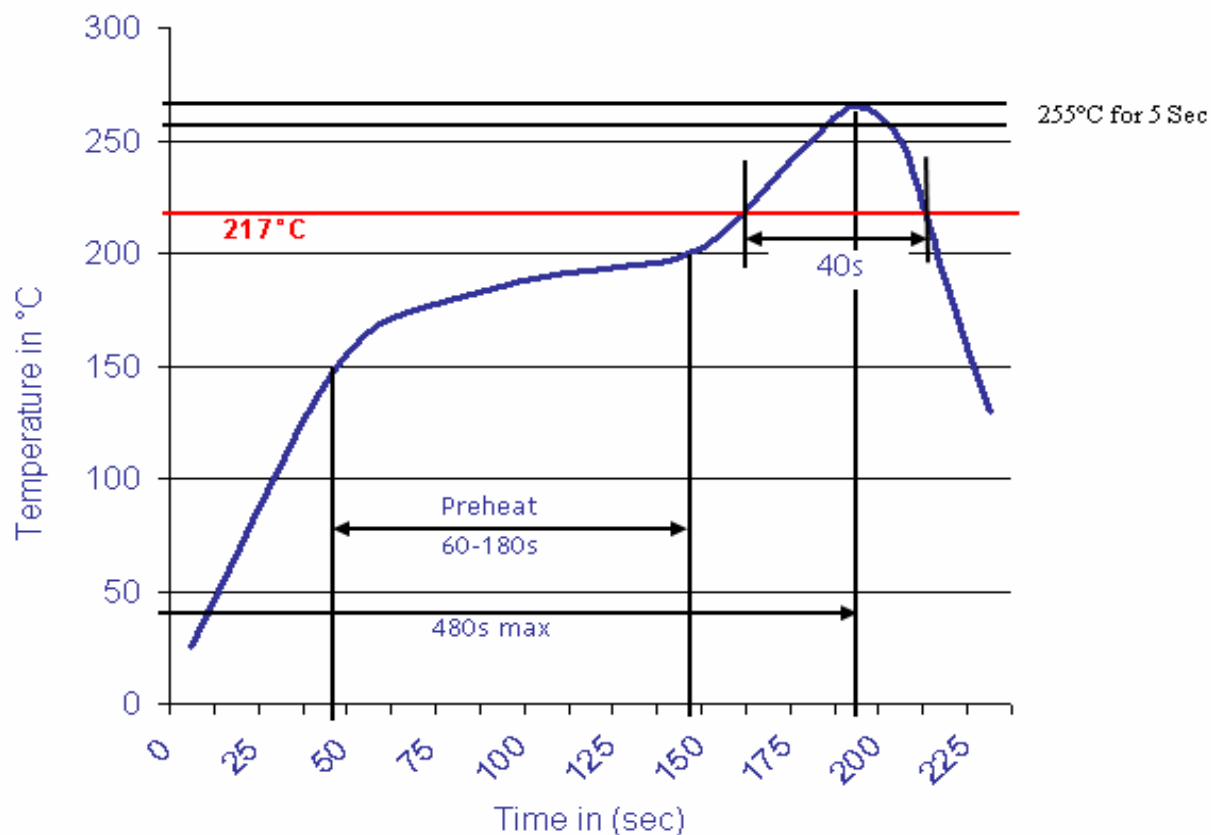
DRW:	Jason	CHKD	Wilson	MATL:	Wilson	TOLERANCE	Mason	DATE	10.02.2014
APPD:	Schumi			FINISH	Jamy		Sheet No.		3 from 4

Customer:



Soldering Profile Curve

Classification Reflow Profile (JEDEC J-STD-020C)



Screwless Terminal Block

Part No.: **A11T021**

Customer:

DRW:	Jason	CHKD	Wilson	MATL:	Wilson	TOLERANCE	Mason	DATE	10.02.2014
APPD:	Schumi			FINISH	Jamy		Sheet No.	4 from 4	

