

# Data Sheet

## Screwless Terminal Block

**Pitch: 7,62 mm**

**Serie: A11R017**

### Customer Information for special Item

**EDCON Customer : 0**

**Customer Version No. : 0**

# EDCON-COMPONENTS



Technical Discription

Drawing (Dimension in mm)

### Electrical

Standard  
 Rated voltage  
 Rated current  
 Wire range  
 Withstanding voltage

UL	IEC
300V	450V, 750V, 1000V
15A	17A
28-12 AWG	0.2-2.5mm <sup>2</sup>
AC2000V/1Min	

### Mechanical

Wire strip length  
 Operating temperature

5 ~ 6mm  
 -40°C ~ +105°C

### Dimensions

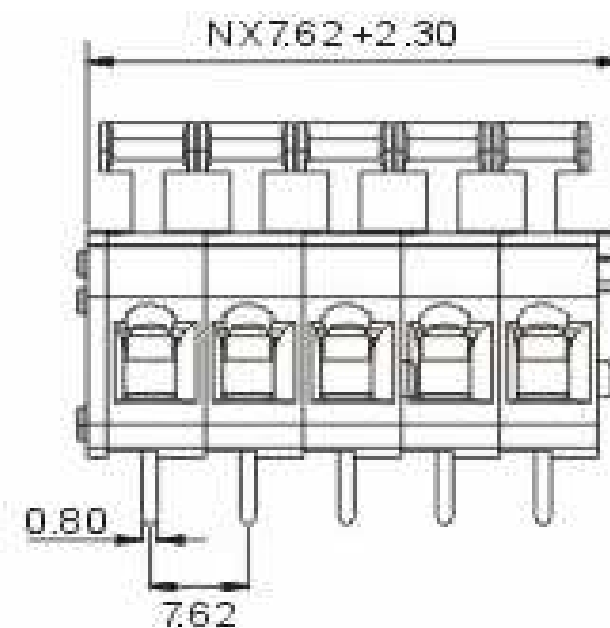
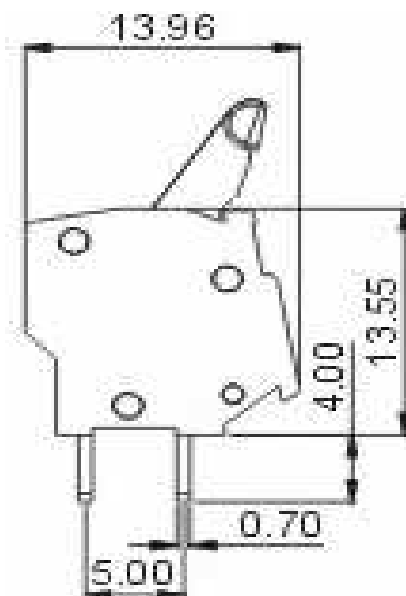
Pitch  
 Poles

7.62mm  
 1P - xxP

### Material

Housing  
 Pin header  
 Wire guard

PA66 (UL94V-0)  
 Phosphor Bronze, Tin plated  
 Stainless steel



### Screwless Terminal Block

Part No.: **A11R017**

Customer:

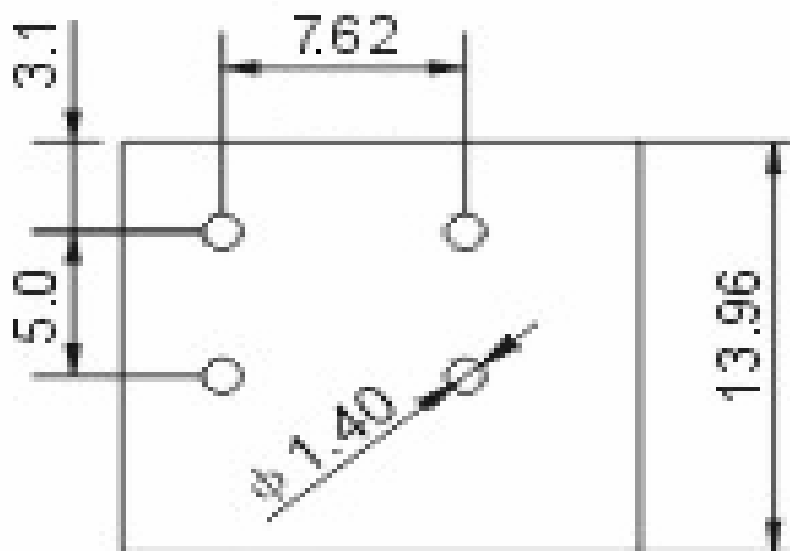
DRW:	Jason	CHKD	Wilson	MATL:	Wilson	TOLERANCE	Mason	DATE	07.02.2014
APPD:	Schumi			FINISH	Jamy		Sheet No.	1 from 4	

# EDCON-COMPONENTS



PCB Layout (Dimension in mm)

Dimensions (mm)



No. of Pos.	A	Tol. P	B	Tol. P
02	17,54	± 0,35	7,62	± 0,35
03	25,16	± 0,35	15,24	± 0,35
04	32,78	± 0,35	22,86	± 0,35
05	40,40	± 0,35	30,48	± 0,35
06	48,02	± 0,35	38,10	± 0,35
07	55,64	± 0,35	45,72	± 0,35
08	63,26	± 0,35	53,34	± 0,35
09	70,88	± 0,35	60,96	± 0,35
10	78,50	± 0,35	68,58	± 0,35
11	86,12	± 0,35	76,20	± 0,35
12	93,74	± 0,35	83,82	± 0,35
13	101,36	± 0,35	91,44	± 0,35
14	108,98	± 0,35	99,06	± 0,35
15	116,60	± 0,35	106,68	± 0,35
16	124,22	± 0,35	114,30	± 0,35
17	131,84	± 0,36	121,92	± 0,36
18	139,46	± 0,37	129,54	± 0,37
19	147,08	± 0,38	137,16	± 0,38
20	154,70	± 0,39	144,78	± 0,39
21	162,32	± 0,40	152,40	± 0,40
22	169,94	± 0,41	160,02	± 0,41
23	177,56	± 0,42	167,64	± 0,42
24	185,18	± 0,43	175,26	± 0,43

**Screwless Terminal Block**

Part No.: **A11R017**

Customer:

DRW:	Jason	CHKD	Wilson	MATL:	Wilson	TOLERANCE	Mason	DATE	07.02.2014
APPD:	Schumi			FINISH	Jamy		Sheet No.	2 from 4	

# EDCON-COMPONENTS



## Ordering Informations

Serie	No. of Pos.	Body Color	Approval	Approval Code	ROHS	Packing	EDCON Cust. No.	Customer Version		
<b>A11R017</b>	<b>02</b>	<b>GY</b>	<b>N</b>	<b>N</b>	<b>R</b>	<b>B</b>				

Pitch:  
7,62

<b>02=</b> Number of Pos. Standard 2~24 Pos.	<b>GY=</b> Gray (Standard)  <b>GN=</b> Green  <b>OR=</b> Orange  <b>BK=</b> Black	<b>N=</b> No Approval  <b>1=</b> Approval for Material  <b>2=</b> Approval for Terminal Block	<b>N=</b> NON Approval  <b>A=</b> UL /UR Approval Please consult EDCON for available  <b>B=</b> VDE Approval Please consult EDCON for available  <b>C=</b> TÜV Approval Please consult EDCON for available	<b>R=</b> ROHS Conform  <b>N=</b> NON ROHS Conform	<b>B=</b> Standard Package  <b>I=</b> Individual Package	<b>xxxxxx=</b> Customer Number	<b>xxx=</b> Customer Version ??(Printing)
---	---	---	--	--	--	--------------------------------	---

**Screwless Terminal Block**

Part No.: **A11R017**

DRW:	Jason	CHKD	Wilson	MATL:	Wilson	TOLERANCE	Mason	DATE	07.02.2014
APPD:	Schumi			FINISH	Jamy		Sheet No.		3 from 4

Customer:



Soldering Profile Curve

Classification Reflow Profile (JEDEC J-STD-020C)



**Screwless Terminal Block**

Part No.: **A11R017**

Customer:

DRW:	Jason	CHKD	Wilson	MATL:	Wilson	TOLERANCE	Mason	DATE	07.02.2014
APPD:	Schumi			FINISH	Jamy		Sheet No.	4 from 4	



