

Data Sheet

Screwless Terminal Block

Pitch: 7,62 mm

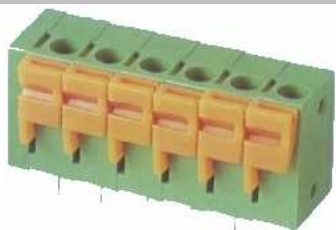
Serie: A11R009

Customer Information for special Item

EDCON Customer : 0

Customer Version No. : 0

EDCON-COMPONENTS



Technical Discription

Drawing (Dimension in mm)

Electrical

Standard	UL, VDE
Rated voltage	300V
Rated current	10A
Wire range	14-22 AWG

Mechanical

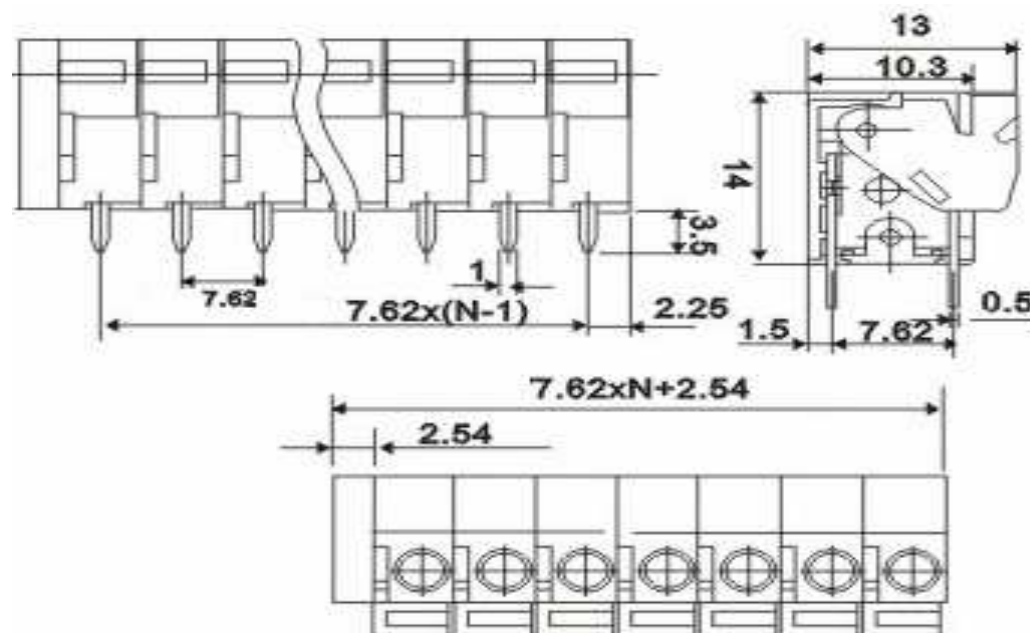
Operating temperature	-40°C ~ +105°C
-----------------------	----------------

Dimensions

Pitch	7.62mm
Poles	2P - 24P

Material

Housing	Nylon PA66 (UL94V-0)
Pin header	Brass, Tin plated
Wire guard	Stainless steel



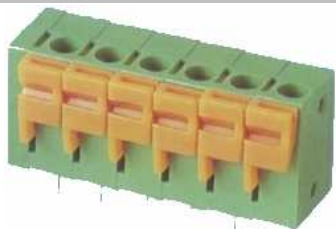
Screwless Terminal Block

Part No.: **A11R009**

Customer:

DRW:	Jason	CHKD	Wilson	MATL:	Wilson	TOLERANCE	Mason	DATE	07.02.2014
APPD:	Schumi			FINISH	Jamy		Sheet No.	1 from 4	

EDCON-COMPONENTS



PCB Layout (Dimension in mm)

Dimensions (mm)

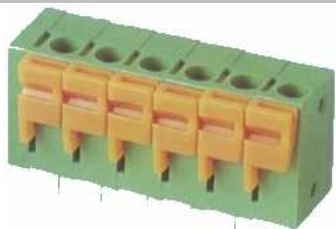
No. of Pos.	A	Tol. P	B	Tol. P
02	17,78	± 0,35	7,62	± 0,35
03	25,40	± 0,35	15,24	± 0,35
04	33,02	± 0,35	22,86	± 0,35
05	40,64	± 0,35	30,48	± 0,35
06	48,26	± 0,35	38,10	± 0,35
07	55,88	± 0,35	45,72	± 0,35
08	63,50	± 0,35	53,34	± 0,35
09	71,12	± 0,35	60,96	± 0,35
10	78,74	± 0,35	68,58	± 0,35
11	86,36	± 0,35	76,20	± 0,35
12	93,98	± 0,35	83,82	± 0,35
13	101,60	± 0,35	91,44	± 0,35
14	109,22	± 0,35	99,06	± 0,35
15	116,84	± 0,35	106,68	± 0,35
16	124,46	± 0,35	114,30	± 0,35
17	132,08	± 0,35	121,92	± 0,35
18	139,70	± 0,35	129,54	± 0,35
19	147,32	± 0,35	137,16	± 0,35
20	154,94	± 0,35	144,78	± 0,35
21	162,56	± 0,35	152,40	± 0,35
22	170,18	± 0,35	160,02	± 0,35
23	177,80	± 0,35	167,64	± 0,35
24	185,42	± 0,35	175,26	± 0,35

Screwless Terminal Block

Part No.: **A11R009**

DRW:	Jason	CHKD	Wilson	MATL:	Wilson	TOLERANCE	Mason	DATE	07.02.2014	Customer:
APPD:	Schumi			FINISH	Jamy		Sheet No.	2 from 4		

EDCON-COMPONENTS



Ordering Informations

Serie	No. of Pos.	Body Color	Approval	Approval Code	ROHS	Packing	EDCON Cust. No.	Customer Version		
-------	-------------	------------	----------	---------------	------	---------	-----------------	------------------	--	--

A11R009	02	GN	N	N	R	B				
----------------	-----------	-----------	----------	----------	----------	----------	--	--	--	--

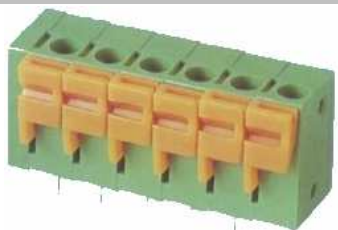
Pitch 7,62	02= Number of Pos. Standard 1~24 Pos.	GY= Gray (Standard) GN= Green OR= Orange BK= Black	N= No Approval 1= Approval for Material 2= Approval for Terminal Block	N= NON Approval A= UL /UR Approval Please consult EDCON for available B= VDE Approval Please consult EDCON for available C= TÜV Approval Please consult EDCON for available	R= ROHS Conform N= NON ROHS Conform	B= Standard Package I= Individual Package	xxxxxx= Customer Number	xxx= Customer Version ??(Printing)
---------------	--	---	--	--	--	--	-------------------------	------------------------------------

Screwless Terminal Block

Part No.: **A11R009**

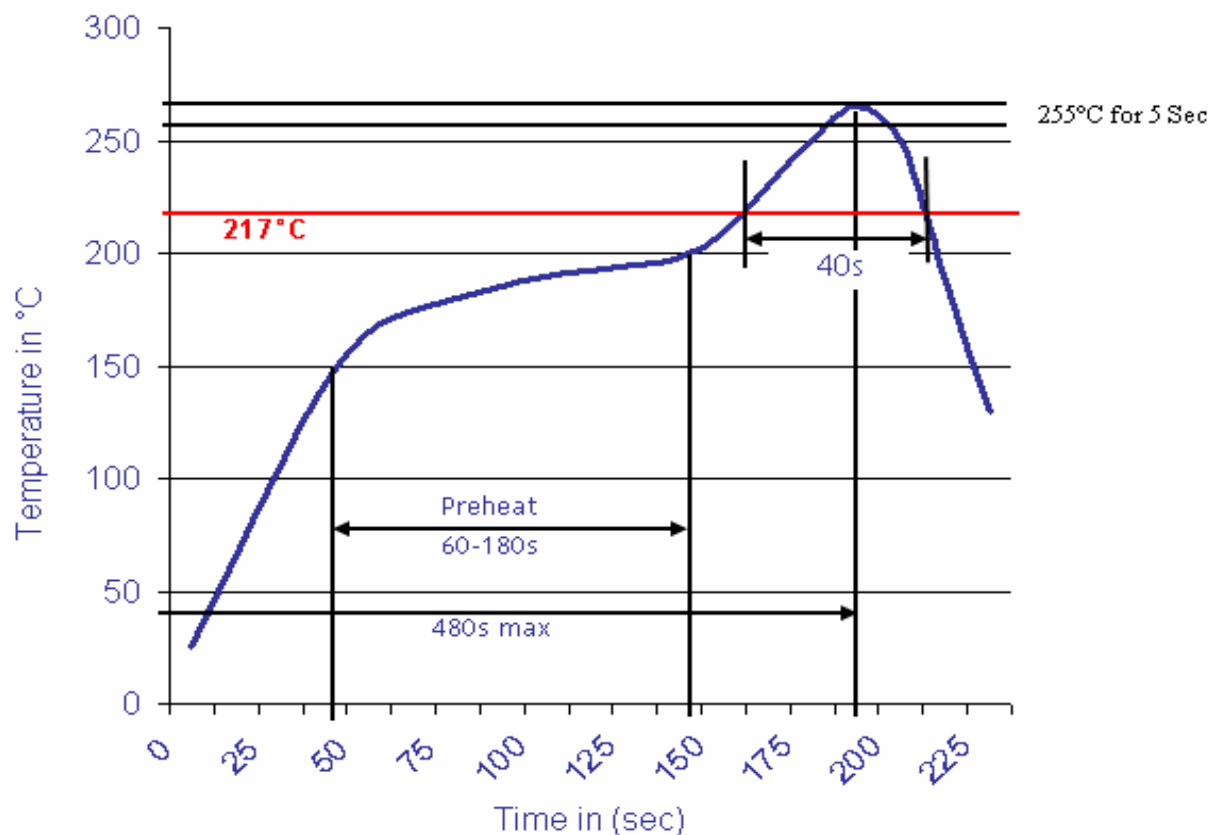
DRW:	Jason	CHKD	Wilson	MATL:	Wilson	TOLERANCE	Mason	DATE	07.02.2014
APPD:	Schumi			FINISH	Jamy		Sheet No.		3 from 4

Customer:



Soldering Profile Curve

Classification Reflow Profile (JEDEC J-STD-020C)



Screwless Terminal Block

Part No.: **A11R009**

Customer:

DRW:	Jason	CHKD	Wilson	MATL:	Wilson	TOLERANCE	Mason	DATE	07.02.2014
APPD:	Schumi			FINISH	Jamy		Sheet No.	4 from 4	

