

Data Sheet

Screwless Terminal Block

Pitch: 7,50 mm

Serie: A11Q025

Customer Information for special Item

EDCON Customer : 0

Customer Version No. : 0

EDCON-COMPONENTS



Technical Discription

Drawing (Dimension in mm)

Electrical

Standard UL, VDE
 Rated voltage 250V
 Rated current 2A
 Wire range 14-22 AWG

Mechanical

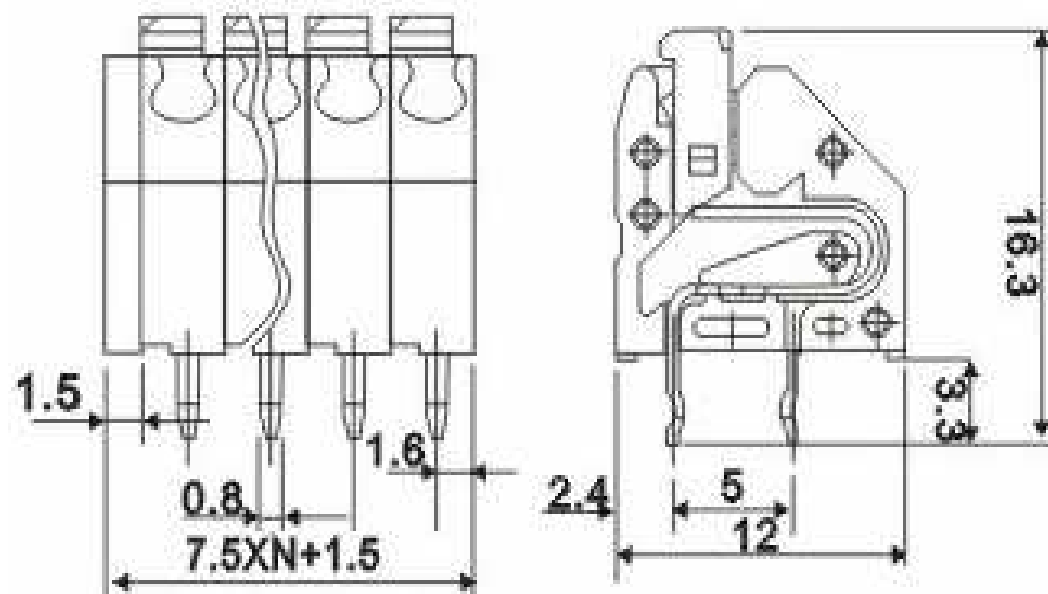
Operating temperature -40°C ~ +105°C

Dimensions

Pitch 7.50mm
 Poles 2P - 24P

Material

Housing Nylon PA66 (UL94V-0)
 Pin header Brass, Tin plated
 Wire guard Stainless steel



Screwless Terminal Block

Part No.: **A11Q025**

Customer:

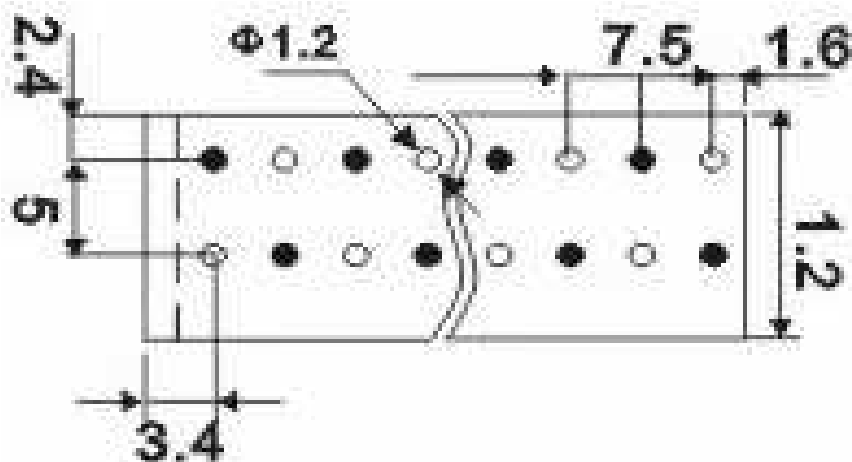
| | | | | | | | | | |
|-------|--------|------|--------|--------|--------|-----------|-----------|----------|------------|
| DRW: | Jason | CHKD | Wilson | MATL: | Wilson | TOLERANCE | Mason | DATE | 06.02.2014 |
| APPD: | Schumi | | | FINISH | Jamy | | Sheet No. | 1 from 4 | |

EDCON-COMPONENTS



PCB Layout (Dimension in mm)

Dimensions (mm)



| No. of Pos. | A | Tol. P | B | Tol. P |
|-------------|--------|------------|--------|------------|
| 02 | 16,50 | $\pm 0,35$ | 7,50 | $\pm 0,35$ |
| 03 | 24,00 | $\pm 0,35$ | 15,00 | $\pm 0,35$ |
| 04 | 31,50 | $\pm 0,35$ | 22,50 | $\pm 0,35$ |
| 05 | 39,00 | $\pm 0,35$ | 30,00 | $\pm 0,35$ |
| 06 | 46,50 | $\pm 0,35$ | 37,50 | $\pm 0,35$ |
| 07 | 54,00 | $\pm 0,35$ | 45,00 | $\pm 0,35$ |
| 08 | 61,50 | $\pm 0,35$ | 52,50 | $\pm 0,35$ |
| 09 | 69,00 | $\pm 0,35$ | 60,00 | $\pm 0,35$ |
| 10 | 76,50 | $\pm 0,35$ | 67,50 | $\pm 0,35$ |
| 11 | 84,00 | $\pm 0,35$ | 75,00 | $\pm 0,35$ |
| 12 | 91,50 | $\pm 0,35$ | 82,50 | $\pm 0,35$ |
| 13 | 99,00 | $\pm 0,35$ | 90,00 | $\pm 0,35$ |
| 14 | 106,50 | $\pm 0,35$ | 97,50 | $\pm 0,35$ |
| 15 | 114,00 | $\pm 0,35$ | 105,00 | $\pm 0,35$ |
| 16 | 121,50 | $\pm 0,35$ | 112,50 | $\pm 0,35$ |
| 17 | 129,00 | $\pm 0,35$ | 120,00 | $\pm 0,35$ |
| 18 | 136,50 | $\pm 0,35$ | 127,50 | $\pm 0,35$ |
| 19 | 144,00 | $\pm 0,35$ | 135,00 | $\pm 0,35$ |
| 20 | 151,50 | $\pm 0,35$ | 142,50 | $\pm 0,35$ |
| 21 | 159,00 | $\pm 0,35$ | 150,00 | $\pm 0,35$ |
| 22 | 166,50 | $\pm 0,35$ | 157,50 | $\pm 0,35$ |
| 23 | 174,00 | $\pm 0,35$ | 165,00 | $\pm 0,35$ |
| 24 | 181,50 | $\pm 0,35$ | 172,50 | $\pm 0,35$ |

Screwless Terminal Block

Part No.: **A11Q025**

Customer:

| | | | | | | | | | |
|-------|--------|------|--------|--------|--------|-----------|-----------|----------|------------|
| DRW: | Jason | CHKD | Wilson | MATL: | Wilson | TOLERANCE | Mason | DATE | 06.02.2014 |
| APPD: | Schumi | | | FINISH | Jamy | | Sheet No. | 2 from 4 | |

EDCON-COMPONENTS



Ordering Informations

| Serie | No. of Pos. | Body Color | Approval | Approval Code | ROHS | Packing | EDCON Cust. No. | Customer Version | | |
|----------------|-------------|------------|----------|---------------|----------|----------|-----------------|------------------|--|--|
| A11Q025 | 02 | GY | N | N | R | B | | | | |

Pitch
7,50

| | | | | | | | |
|---|---|---|--|--|--|--------------------------------|---|
| 02= Number of Pos. Standard 2~24 Pos. | GY= Gray (Standard) GN= Green OR= Orange BK= Black | N= No Approval 1= Approval for Material 2= Approval for Terminal Block | N= NON Approval A= UL /UR Approval Please consult EDCON for available B= VDE Approval Please consult EDCON for available C= TÜV Approval Please consult EDCON for available | R= ROHS Conform N= NON ROHS Conform | B= Standard Package I= Individual Package | xxxxxx= Customer Number | xxx= Customer Version ??(Printing) |
|---|---|---|--|--|--|--------------------------------|---|

| | |
|---------------------------------|----------------|
| Screwless Terminal Block | |
| Part No.: | A11Q025 |
| Customer: | |

| | | | | | | | | | |
|-------|--------|------|--------|--------|--------|-----------|-----------|------|------------|
| DRW: | Jason | CHKD | Wilson | MATL: | Wilson | TOLERANCE | Mason | DATE | 06.02.2014 |
| APPD: | Schumi | | | FINISH | Jamy | | Sheet No. | | 3 from 4 |



Soldering Profile Curve

Classification Reflow Profile (JEDEC J-STD-020C)



Screwless Terminal Block

Part No.: **A11Q025**

Customer:

| | | | | | | | | | |
|-------|--------|------|--------|--------|--------|-----------|-----------|----------|------------|
| DRW: | Jason | CHKD | Wilson | MATL: | Wilson | TOLERANCE | Mason | DATE | 06.02.2014 |
| APPD: | Schumi | | | FINISH | Jamy | | Sheet No. | 4 from 4 | |

