

Data Sheet

Screwless Terminal Block

Pitch: 7,50 mm

Serie: A11Q018

Customer Information for special Item

EDCON Customer : 0

Customer Version No. : 0

EDCON-COMPONENTS



Technical Discription

Drawing (Dimension in mm)

Electrical

Standard
 Rated voltage
 Rated current
 Wire range
 Withstanding voltage

UL	IEC
300V	450V
30A	32A
24-10 AWG	4.0mm ²
AC2000V/1Min	

Mechanical

Wire strip length
 Operating temperature

10mm
 -40°C ~ +105°C

Dimensions

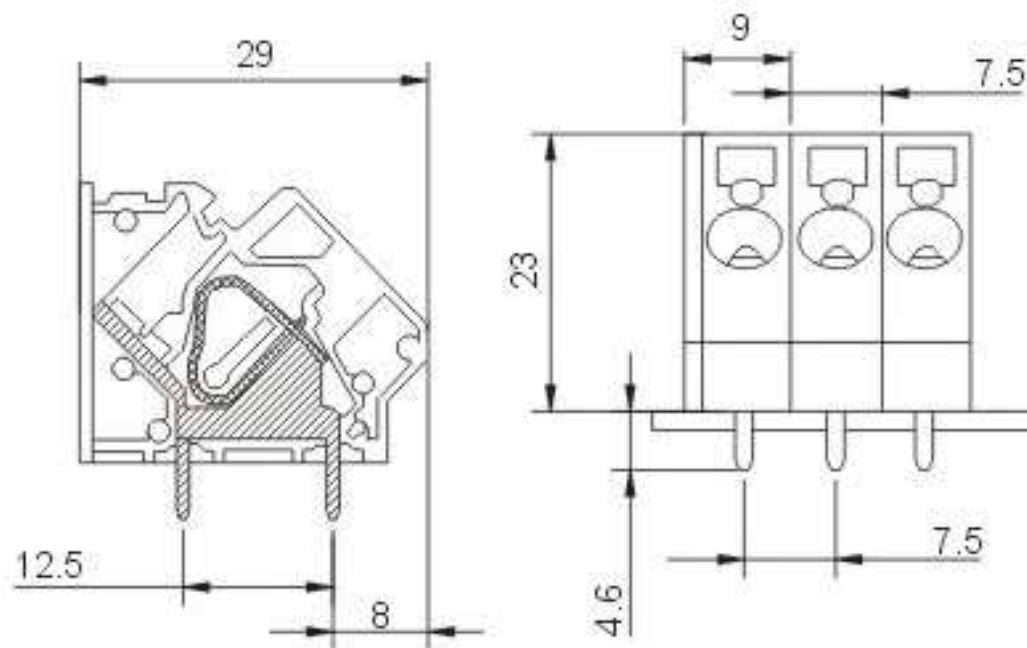
Pitch
 Poles

7.5mm
 1P - xxP

Material

Housing
 Pin header
 Wire guard

PA66 (UL94V-0)
 Phosphor Bronze, Tin plated
 Stainless steel



Screwless Terminal Block

Part No.: **A11Q018**

Customer:

DRW:	Jason	CHKD	Wilson	MATL:	Wilson	TOLERANCE	Mason	DATE	06.02.2014
APPD:	Schumi			FINISH	Jamy		Sheet No.	1 from 4	

EDCON-COMPONENTS



PCB Layout (Dimension in mm)

Dimensions (mm)

No. of Pos.	A	Tol. P	B	Tol. P	
02	16,50	± 0,35	7,50	± 0,35	
03	24,00	± 0,35	15,00	± 0,35	
04	31,50	± 0,35	22,50	± 0,35	
05	39,00	± 0,35	30,00	± 0,35	
06	46,50	± 0,35	37,50	± 0,35	
07	54,00	± 0,35	45,00	± 0,35	
08	61,50	± 0,35	52,50	± 0,35	
09	69,00	± 0,35	60,00	± 0,35	
10	76,50	± 0,35	67,50	± 0,35	
11	84,00	± 0,35	75,00	± 0,35	
12	91,50	± 0,35	82,50	± 0,35	

Screwless Terminal Block

Part No.: **A11Q018**

DRW:	Jason	CHKD	Wilson	MATL:	Wilson	TOLERANCE	Mason	DATE	06.02.2014
APPD:	Schumi			FINISH	Jamy		Sheet No.	2 from 4	

Customer:

EDCON-COMPONENTS



Ordering Informations

Serie	No. of Pos.	Body Color	Approval	Approval Code	ROHS	Packing	EDCON Cust. No.	Customer Version		
-------	-------------	------------	----------	---------------	------	---------	-----------------	------------------	--	--

A11Q018	02	GN	N	N	R	B				
----------------	-----------	-----------	----------	----------	----------	----------	--	--	--	--

Pitch 7,50	02= Number of Pos. Standard 2~12 Pos.	GY= Gray (Standard)	N= No Approval	N= NON Approval	R= ROHS Conform	B= Standard Package	xxxxxx= Customer Number	xxx= Customer Version ??(Printing)
---------------	--	---------------------	----------------	-----------------	-----------------	---------------------	-------------------------	------------------------------------

			1= Approval for Material	A= UL /UR Approval Please consult EDCON for available	N= NON ROHS Conform	I= Individual Package		
		GN= Green	2= Approval for Terminal Block					
		OR= Orange		B= VDE Approval Please consult EDCON for available				
		BK= Black		C= TÜV Approval Please consult EDCON for available				

Screwless Terminal Block

Part No.: **A11Q018**

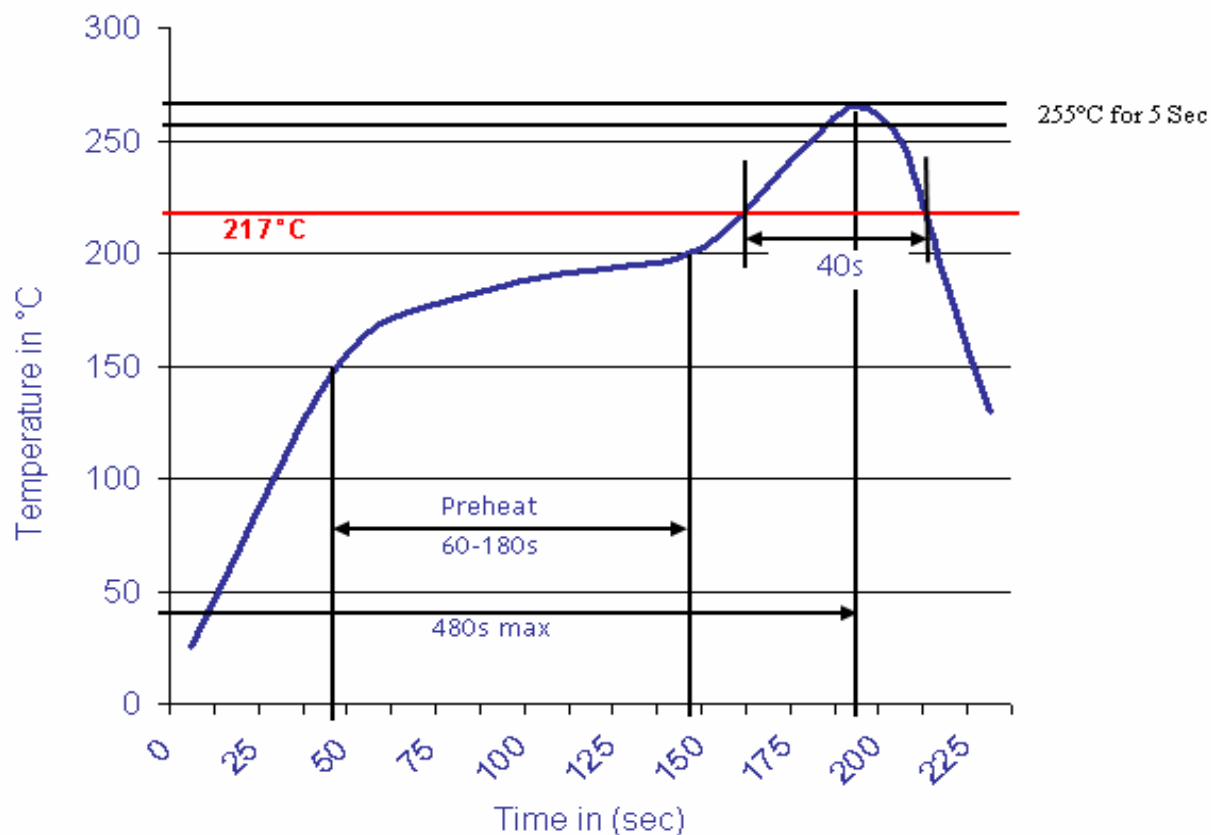
DRW:	Jason	CHKD	Wilson	MATL:	Wilson	TOLERANCE	Mason	DATE	06.02.2014
APPD:	Schumi			FINISH	Jamy		Sheet No.		3 from 4

Customer:



Soldering Profile Curve

Classification Reflow Profile (JEDEC J-STD-020C)



Screwless Terminal Block

Part No.: **A11Q018**

DRW:	Jason	CHKD	Wilson	MATL:	Wilson	TOLERANCE	Mason	DATE	06.02.2014
APPD:	Schumi			FINISH	Jamy		Sheet No.	4 from 4	Customer:

