

Data Sheet

Screwless Terminal Block

Pitch: 7,50 mm

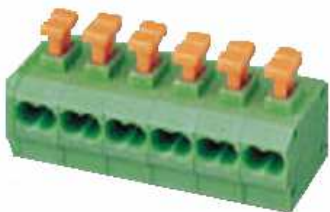
Serie: A11Q015

Customer Information for special Item

EDCON Customer : 0

Customer Version No. : 0

EDCON-COMPONENTS



Technical Discription

Drawing (Dimension in mm)

Electrical

Standard
 Rated voltage
 Rated current
 Wire range
 Withstanding voltage

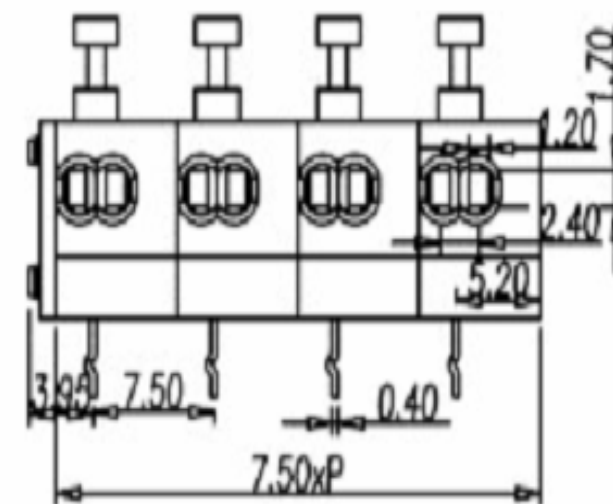
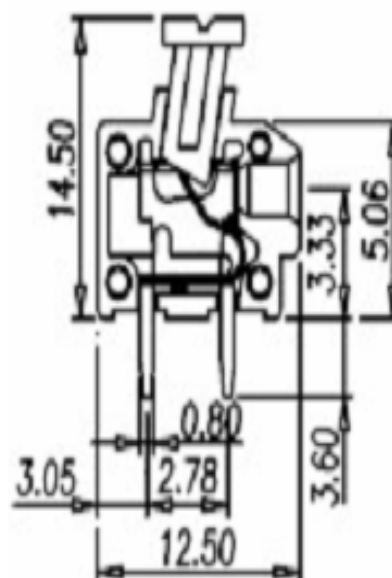
UL	IEC
300V	450V
10A	12A
24-18 AWG	0.75mm ²
1.6KV	3KV

Dimensions

Pitch 7.50mm
 Poles 2P - 24P

Mechanical

Wire strip length 9-10mm



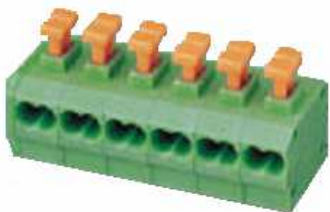
Screwless Terminal Block

Part No.: **A11Q015**

Customer:

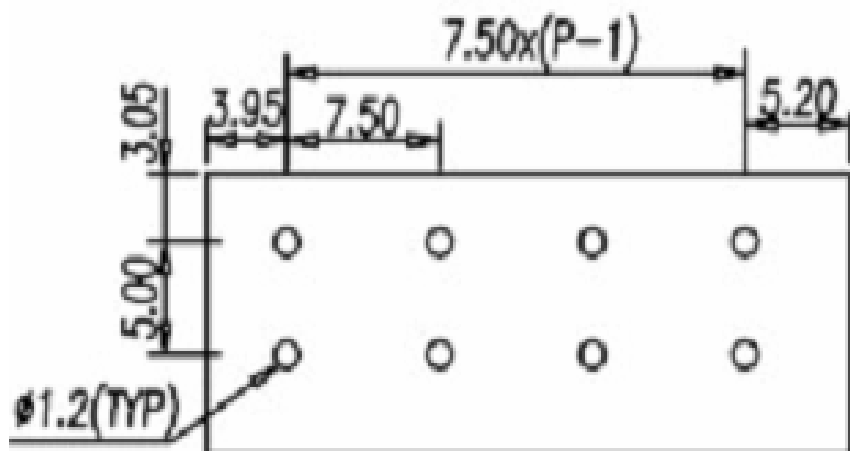
DRW:	Jason	CHKD	Wilson	MATL:	Wilson	TOLERANCE	Mason	DATE	06.02.2014
APPD:	Schumi			FINISH	Jamy		Sheet No.	1 from 4	

EDCON-COMPONENTS



PCB Layout (Dimension in mm)

Dimensions (mm)



No. of Pos.	A	Tol. P	B	Tol. P
02	15,00	± 0,35	7,50	± 0,35
03	22,50	± 0,35	15,00	± 0,35
04	30,00	± 0,35	22,50	± 0,35
05	37,50	± 0,35	30,00	± 0,35
06	45,00	± 0,35	37,50	± 0,35
07	52,50	± 0,35	45,00	± 0,35
08	60,00	± 0,35	52,50	± 0,35
09	67,50	± 0,35	60,00	± 0,35
10	75,00	± 0,35	67,50	± 0,35
11	82,50	± 0,35	75,00	± 0,35
12	90,00	± 0,35	82,50	± 0,35
13	97,50	± 0,35	90,00	± 0,35
14	105,00	± 0,35	97,50	± 0,35
15	112,50	± 0,35	105,00	± 0,35
16	120,00	± 0,35	112,50	± 0,35
17	127,50	± 0,35	120,00	± 0,35
18	135,00	± 0,35	127,50	± 0,35
19	142,50	± 0,35	135,00	± 0,35
20	150,00	± 0,35	142,50	± 0,35
21	157,50	± 0,35	150,00	± 0,35
22	165,00	± 0,35	157,50	± 0,35
23	172,50	± 0,35	165,00	± 0,35
24	180,00	± 0,35	172,50	± 0,35

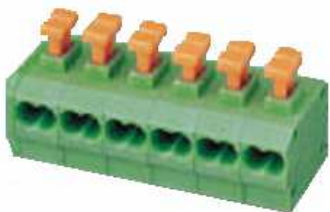
Screwless Terminal Block

Part No.: **A11Q015**

Customer:

DRW:	Jason	CHKD	Wilson	MATL:	Wilson	TOLERANCE	Mason	DATE	06.02.2014
APPD:	Schumi			FINISH	Jamy		Sheet No.		2 from 4

EDCON-COMPONENTS



Ordering Informations

Serie	No. of Pos.	Body Color	Approval	Approval Code	ROHS	Packing	EDCON Cust. No.	Customer Version		
-------	-------------	------------	----------	---------------	------	---------	-----------------	------------------	--	--

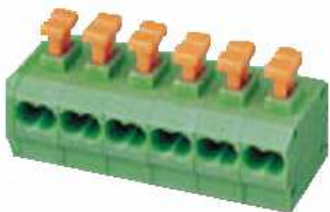
A11Q015	02	GN	N	N	R	B				
----------------	-----------	-----------	----------	----------	----------	----------	--	--	--	--

Pitch	02= Number of Pos.	GY= Gray (Standard)	N= No Approval	N= NON Approval	R= ROHS Conform	B= Standard Package	xxxxxx= Customer Number	xxx= Customer Version ??(Printing)
-------	--------------------	---------------------	----------------	-----------------	-----------------	---------------------	-------------------------	------------------------------------

7,50	Standard 2~24 Pos.	GN= Green	1= Approval for Material	A= UL /UR Approval Please consult EDCON for available	N= NON ROHS Conform	I= Individual Package		
		OR= Orange	2= Approval for Terminal Block	B= VDE Approval Please consult EDCON for available				
		BK= Black		C= TÜV Approval Please consult EDCON for available				

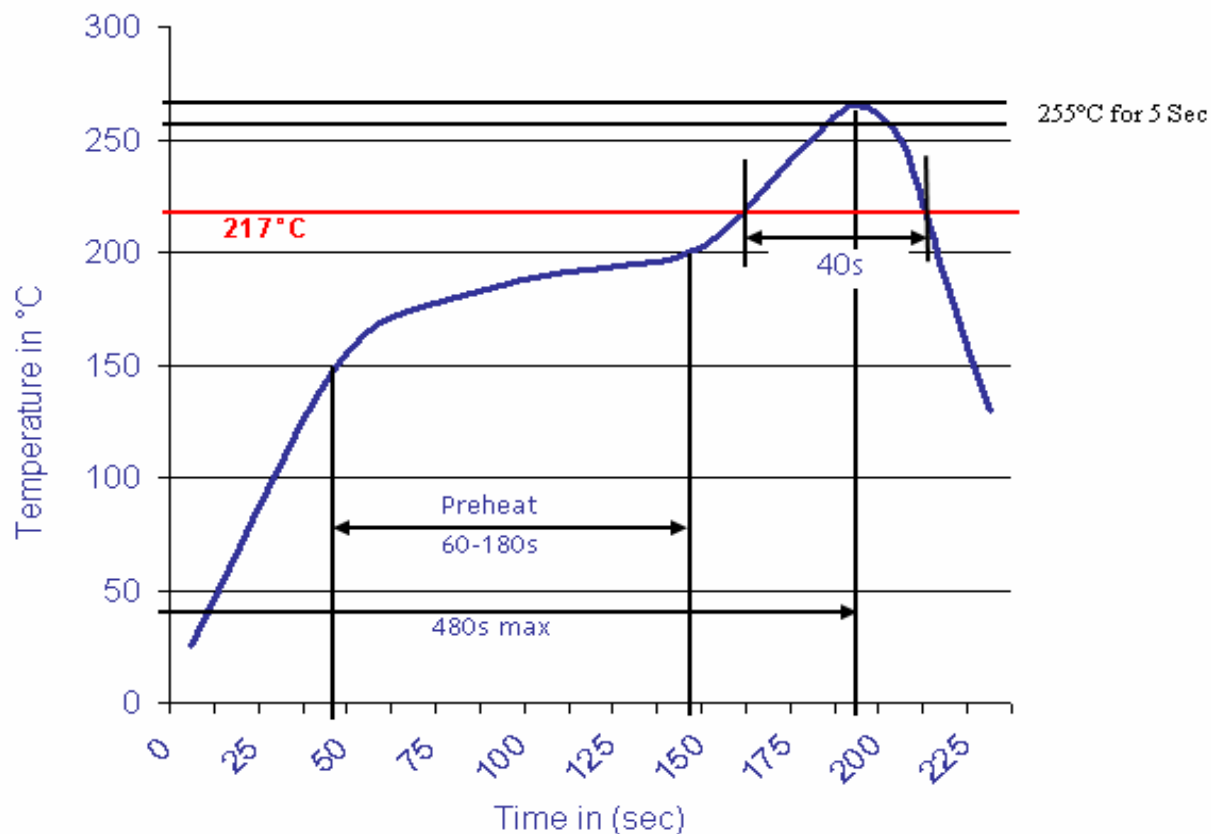
Screwless Terminal Block	
Part No.:	A11Q015
Customer:	

DRW:	Jason	CHKD	Wilson	MATL:	Wilson	TOLERANCE	Mason	DATE	06.02.2014
APPD:	Schumi			FINISH	Jamy		Sheet No.		3 from 4



Soldering Profile Curve

Classification Reflow Profile (JEDEC J-STD-020C)



Screwless Terminal Block

Part No.: **A11Q015**

Customer:

DRW:	Jason	CHKD	Wilson	MATL:	Wilson	TOLERANCE	Mason	DATE	06.02.2014
APPD:	Schumi			FINISH	Jamy		Sheet No.	4 from 4	

