

Data Sheet

Screwless Terminal Block

Pitch: 7,50 mm

Serie: A11Q008

Customer Information for special Item

EDCON Customer : 0

Customer Version No. : 0

EDCON-COMPONENTS



Technical Discription

Drawing (Dimension in mm)

Electrical

Standard
 Rated voltage
 Rated current
 Solid / Stranded wire
 Withstanding Voltage

UL	VDE
300V	450V
10A	6A
20-14 AWG	0.5mm ²
1.6KV	2.5KV

Mechanical

Wire strip length
 Operating temperature
 Soldering temperature

6 ~ 7mm
 -40°C ~ +115°C
 250°C ±10°C/5 sec

Dimensions

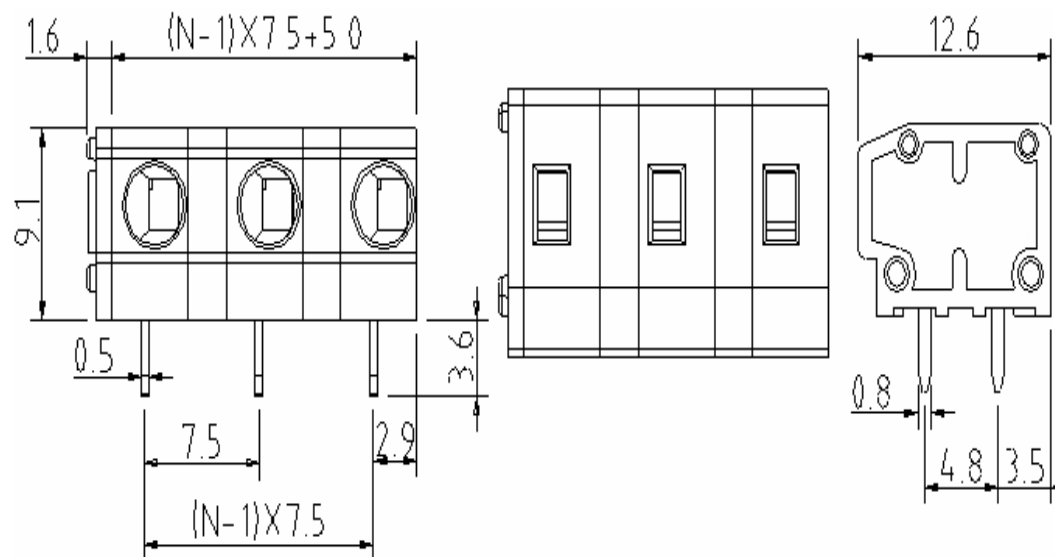
Pitch
 Poles

7.50mm
 2P - 24P

Material

Housing
 Pin header
 Wire guard

Thermoplastic (UL94V-0)
 Brass, Tin plated
 Stainless steel



Screwless Terminal Block

Part No.: **A11Q008**

Customer:

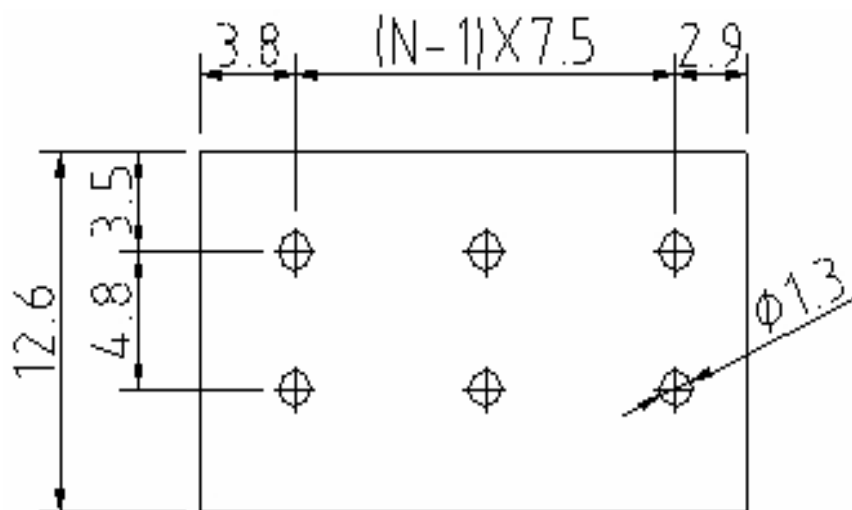
DRW:	Jason	CHKD	Wilson	MATL:	Wilson	TOLERANCE	Mason	DATE	04.02.2014
APPD:	Schumi			FINISH	Jamy		Sheet No.	1 from 4	

EDCON-COMPONENTS



PCB Layout (Dimension in mm)

Dimensions (mm)



No. of Pos.	A	Tol. P	B	Tol. P
02	20,00	± 0,35	7,50	± 0,35
03	27,50	± 0,35	15,00	± 0,35
04	35,00	± 0,35	22,50	± 0,35
05	42,50	± 0,35	30,00	± 0,35
06	50,00	± 0,35	37,50	± 0,35
07	57,50	± 0,35	45,00	± 0,35
08	65,00	± 0,35	52,50	± 0,35
09	72,50	± 0,35	60,00	± 0,35
10	80,00	± 0,35	67,50	± 0,35
11	87,50	± 0,35	75,00	± 0,35
12	95,00	± 0,35	82,50	± 0,35
13	102,50	± 0,35	90,00	± 0,35
14	110,00	± 0,35	97,50	± 0,35
15	117,50	± 0,35	105,00	± 0,35
16	125,00	± 0,35	112,50	± 0,35
17	132,50	± 0,35	120,00	± 0,35
18	140,00	± 0,35	127,50	± 0,35
19	147,50	± 0,35	135,00	± 0,35
20	155,00	± 0,35	142,50	± 0,35
21	162,50	± 0,35	150,00	± 0,35
22	170,00	± 0,35	157,50	± 0,35
23	177,50	± 0,35	165,00	± 0,35
24	185,00	± 0,35	172,50	± 0,35

Screwless Terminal Block

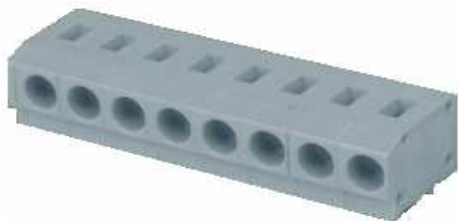
Part No.: **A11Q008**

DRW:	Jason	CHKD	Wilson	MATL:	Wilson	TOLERANCE	Mason	DATE	04.02.2014
APPD:	Schumi			FINISH	Jamy		Sheet No.	2 from 4	Customer:

www.edcon-components.com

email: info@edcon-components.com

EDCON-COMPONENTS



Ordering Informations

Serie	No. of Pos.	Body Color	Approval	Approval Code	ROHS	Packing	EDCON Cust. No.	Customer Version		
A11Q008	02	GY	N	N	R	B				

Pitch
7,50

02= Number of Pos. Standard 2~24 Pos.	GY= Gray (Standard) GN= Green OR= Orange BK= Black	N= No Approval 1= Approval for Material 2= Approval for Terminal Block	N= NON Approval A= UL /UR Approval Please consult EDCON for available B= VDE Approval Please consult EDCON for available C= TÜV Approval Please consult EDCON for available	R= ROHS Conform N= NON ROHS Conform	B= Standard Package I= Individual Package	xxxxxx= Customer Number	xxx= Customer Version ??(Printing)
---	---	---	--	--	--	--------------------------------	---

Screwless Terminal Block	
Part No.:	A11Q008
Customer:	

DRW:	Jason	CHKD	Wilson	MATL:	Wilson	TOLERANCE	Mason	DATE	04.02.2014
APPD:	Schumi			FINISH	Jamy		Sheet No.		3 from 4



Soldering Profile Curve

Classification Reflow Profile (JEDEC J-STD-020C)



Screwless Terminal Block

Part No.: **A11Q008**

Customer:

DRW:	Jason	CHKD	Wilson	MATL:	Wilson	TOLERANCE	Mason	DATE	04.02.2014
APPD:	Schumi			FINISH	Jamy		Sheet No.	4 from 4	

