

Data Sheet

Screwless Terminal Block

Pitch: 7,50 mm

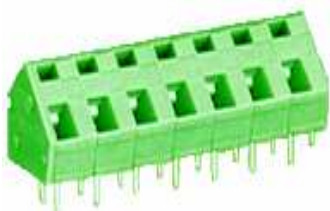
Serie: A11Q004

Customer Information for special Item

EDCON Customer : 0

Customer Version No. : 0

EDCON-COMPONENTS



Technical Discription

Drawing (Dimension in mm)

Electrical

Rated voltage	300V
Rated current	10A
Contact resistance	20mΩ
Insulation resistance	5000MΩ / 1000V
Withstanding voltage	AC1500V/Min
Wire range	26-14 AWG / 2.5mm ²

Mechanical

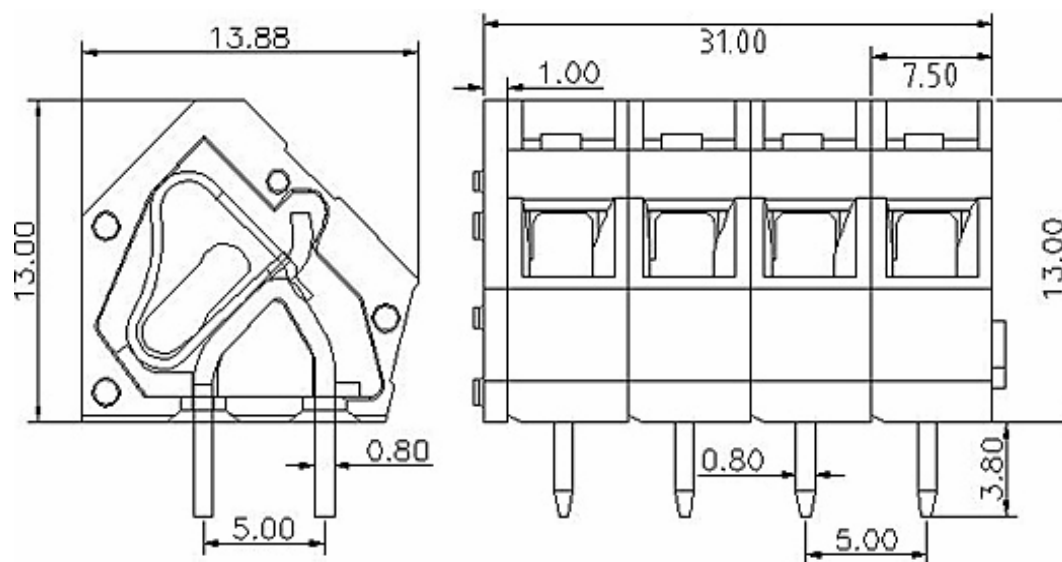
Wire strip length	5 ~ 6mm
Operating temperature	-40°C ~ +105°C
Soldering temperature	+250°C/Sec

Dimensions

Pitch	7.50mm
Poles	1P - xxP

Material

Housing	PA66 (UL94V-0)
Pin header	Brass, Tin plated
Wire guard	Stainless steel



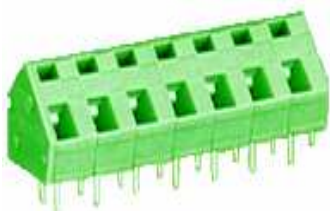
Screwless Terminal Block

Part No.: **A11Q004**

Customer:

DRW:	Jason	CHKD	Wilson	MATL:	Wilson	TOLERANCE	Mason	DATE	04.02.2014
APPD:	Schumi			FINISH	Jamy		Sheet No.	1 from 4	

EDCON-COMPONENTS



PCB Layout (Dimension in mm)

Dimensions (mm)

No. of Pos.	A	Tol. P	B	Tol. P
02	16,00	± 0,35	7,50	± 0,35
03	23,50	± 0,35	15,00	± 0,35
04	31,00	± 0,35	22,50	± 0,35
05	38,50	± 0,35	30,00	± 0,35
06	46,00	± 0,35	37,50	± 0,35
07	53,50	± 0,35	45,00	± 0,35
08	61,00	± 0,35	52,50	± 0,35
09	68,50	± 0,35	60,00	± 0,35
10	76,00	± 0,35	67,50	± 0,35
11	83,50	± 0,35	75,00	± 0,35
12	91,00	± 0,35	82,50	± 0,35
13	98,50	± 0,35	90,00	± 0,35
14	106,00	± 0,35	97,50	± 0,35
15	113,50	± 0,35	105,00	± 0,35
16	121,00	± 0,35	112,50	± 0,35
17	128,50	± 0,35	120,00	± 0,35
18	136,00	± 0,35	127,50	± 0,35
19	143,50	± 0,35	135,00	± 0,35
20	151,00	± 0,35	142,50	± 0,35
21	158,50	± 0,35	150,00	± 0,35
22	166,00	± 0,35	157,50	± 0,35
23	173,50	± 0,35	165,00	± 0,35
24	181,00	± 0,35	172,50	± 0,35

Screwless Terminal Block

Part No.: **A11Q004**

DRW:	Jason	CHKD	Wilson	MATL:	Wilson	TOLERANCE	Mason	DATE	04.02.2014	Customer:
APPD:	Schumi			FINISH	Jamy		Sheet No.	2 from 4		

EDCON-COMPONENTS



Ordering Informations

Serie	No. of Pos.	Body Color	Approval	Approval Code	ROHS	Packing	EDCON Cust. No.	Customer Version		
-------	-------------	------------	----------	---------------	------	---------	-----------------	------------------	--	--

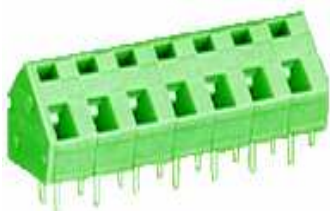
A11Q004	02	GN	N	N	R	B				
----------------	-----------	-----------	----------	----------	----------	----------	--	--	--	--

Pitch	02= Number of Pos.	GY= Gray (Standard)	N= No Approval	N= NON Approval	R= ROHS Conform	B= Standard Package	xxxxxx= Customer Number	xxx= Customer Version ??(Printing)
-------	--------------------	---------------------	----------------	-----------------	-----------------	---------------------	-------------------------	------------------------------------

Standard 2~24 Pos.			1= Approval for Material	A= UL /UR Approval Please consult EDCON for available	N= NON ROHS Conform	I= Individual Package		
	GN= Green		2= Approval for Terminal Block					
				B= VDE Approval Please consult EDCON for available				
	OR= Orange							
	BK= Black			C= TÜV Approval Please consult EDCON for available				

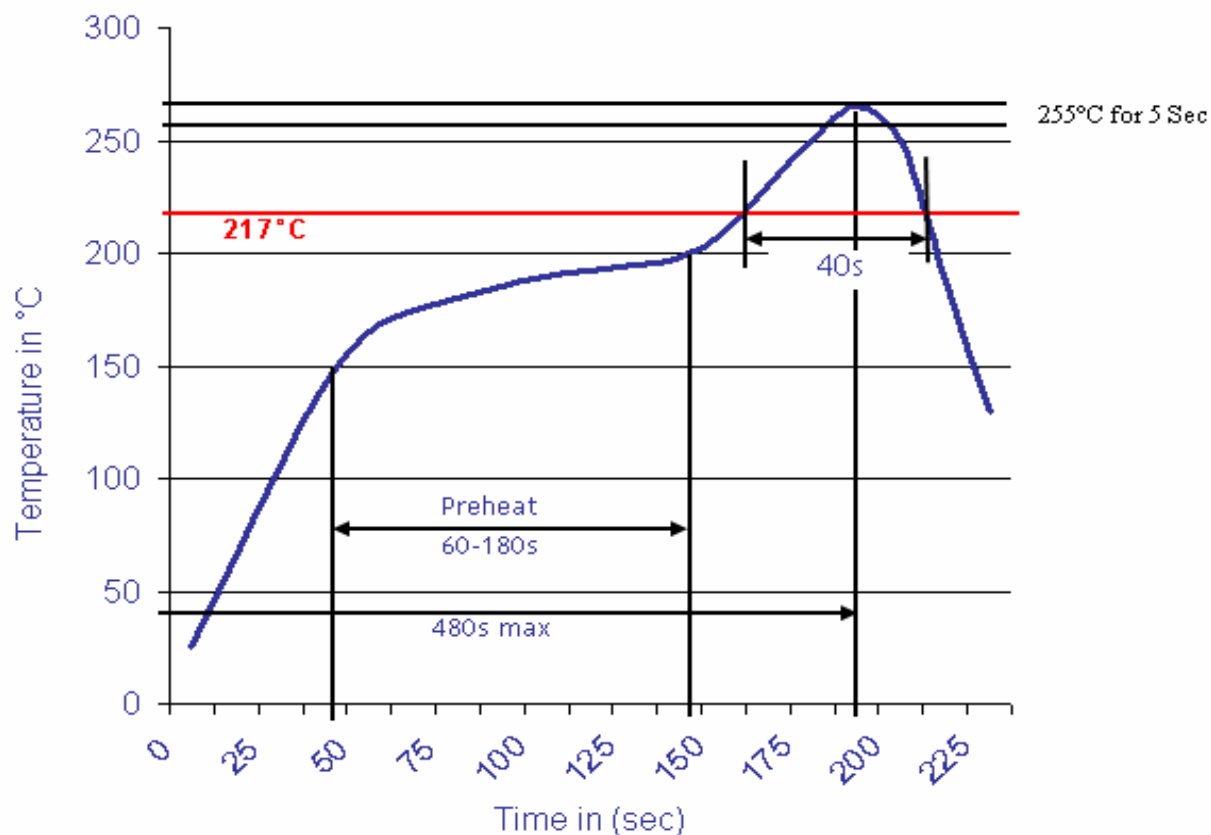
Screwless Terminal Block	
Part No.:	A11Q004
Customer:	

DRW:	Jason	CHKD	Wilson	MATL:	Wilson	TOLERANCE	Mason	DATE	04.02.2014
APPD:	Schumi			FINISH	Jamy		Sheet No.		3 from 4



Soldering Profile Curve

Classification Reflow Profile (JEDEC J-STD-020C)



Screwless Terminal Block

Part No.: **A11Q004**

Customer:

DRW:	Jason	CHKD	Wilson	MATL:	Wilson	TOLERANCE	Mason	DATE	04.02.2014
APPD:	Schumi			FINISH	Jamy		Sheet No.	4 from 4	

