

Data Sheet

Screwless Terminal Block Pitch 5,08mm

Pitch: 5,08 mm

Serie: A11M049

Customer Information for special Item

EDCON Customer : xxxxxx

Customer Version No. : xx

EDCON-COMPONENTS



Technical Description

Electrical:

Rated voltage:
Rated current:
Withstanding Voltage: AC/1min:
Operating Temperature:

UL	IEC	VDE
300V	450V	
15A	17A	
2000V	2000V	
-40°C ~ +105°C		

Mechanical:

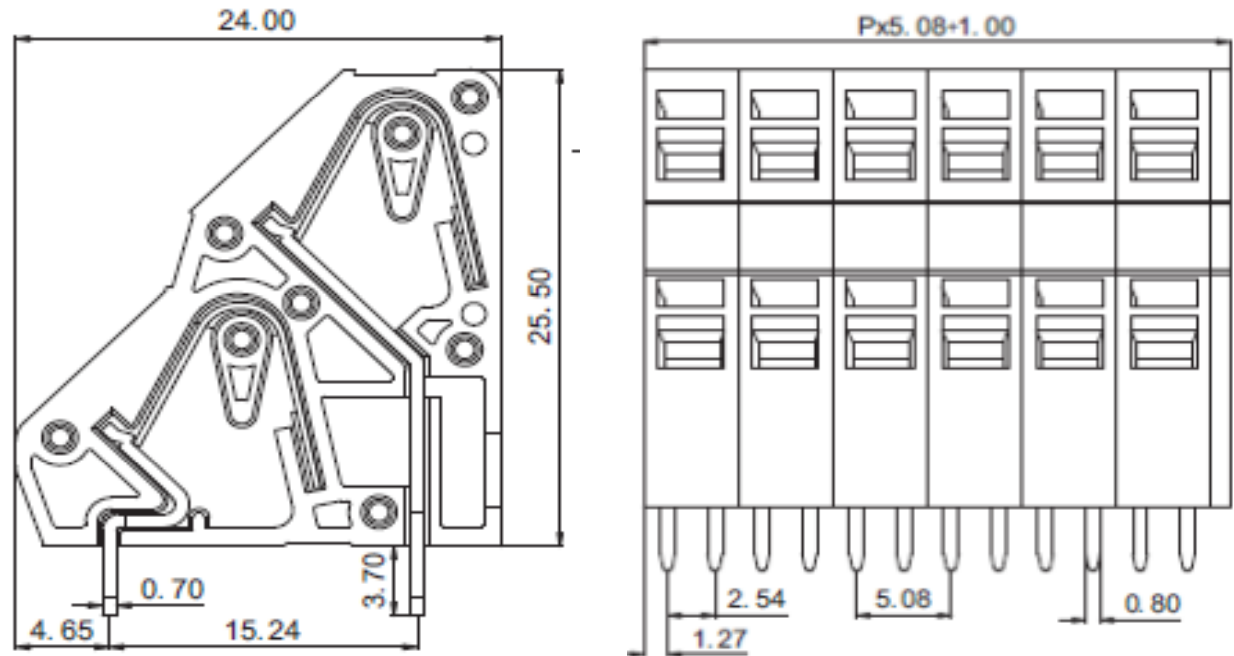
Strip length: mm
Wire range: Solid wire: AWG
Wire range: Stranded wire: AWG

6~7mm	6~7mm	
28~12	2,5mm ²	

Material:

Housing Terminal Body: PA66 UL94V-0
Housing Left-side: PA66 UL94V-0
Housing Right side: PA66 UL94V-0
Lever:
Terminal: Copper Matte Tin plated over Nickel
Spring Clamp: Stainless steel

Drawing (Dimension in mm)



Item No.		
1		
2		
3		
4		
5		
6		
7		
8		
9		

Tolerances unless otherwise specified (mm)				
X	X.X	X.XX	X.XXX	Angle
±	±	±	±	±3°
DRW:	Jason	CHKD	Wilson	MATL:
APPD:	Schumi			FINISH
		Sheet No.		08.01.2021
				1 from 4

Screwless Terminal Block Pitch 5,08mm	
Part No.:	A11M049
Customer:	

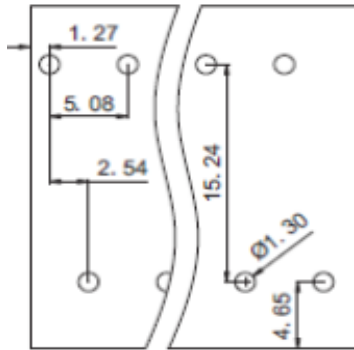
DRW:	Jason	CHKD	Wilson	MATL:
APPD:	Schumi			FINISH

EDCON-COMPONENTS



PCB Layout Dimension (mm) TOP-VIEW

Dimensions (mm)



Frontside

**Screwless Terminal Block Pitch
5,08mm**

Part No.: **A11M049**

DRW:	Jason	CHKD	Wilson	MATL:	Wilson	TOLERANCE	Mason	DATE	08.01.2021
APPD:	Schumi			FINISH	Jamy		Sheet No.	2 from 4	Customer:

EDCON-COMPONENTS



Ordering Informations

Serie	No. of Pos.	Body Color	Srew Type	Approval Code	ROHS	Packing	EDCON Cust. No.	Customer Version		
A11M049	04	PG	C	N	R	B	xxxxxx	xx		

Pitch 5,08

04 = Number of Pos.		C = Screwless Type	N = NON Approval	R = ROHS Conform	B = Standard Package Box/ Polybag	xxxxxx = Customer Number	xx = Customer Version (Printing) ??
Standard 2x2 ~ 2x24Pos.			1 = UL-Approval for Body Material	N = NON ROHS Conform	I = Individual Package		
			A = UL /UR Approval Please consult EDCON for available				
			B = VDE Approval Please consult EDCON for available				
			C = TÜV Approval Please consult EDCON for available				
		PG = Phoenix Green					

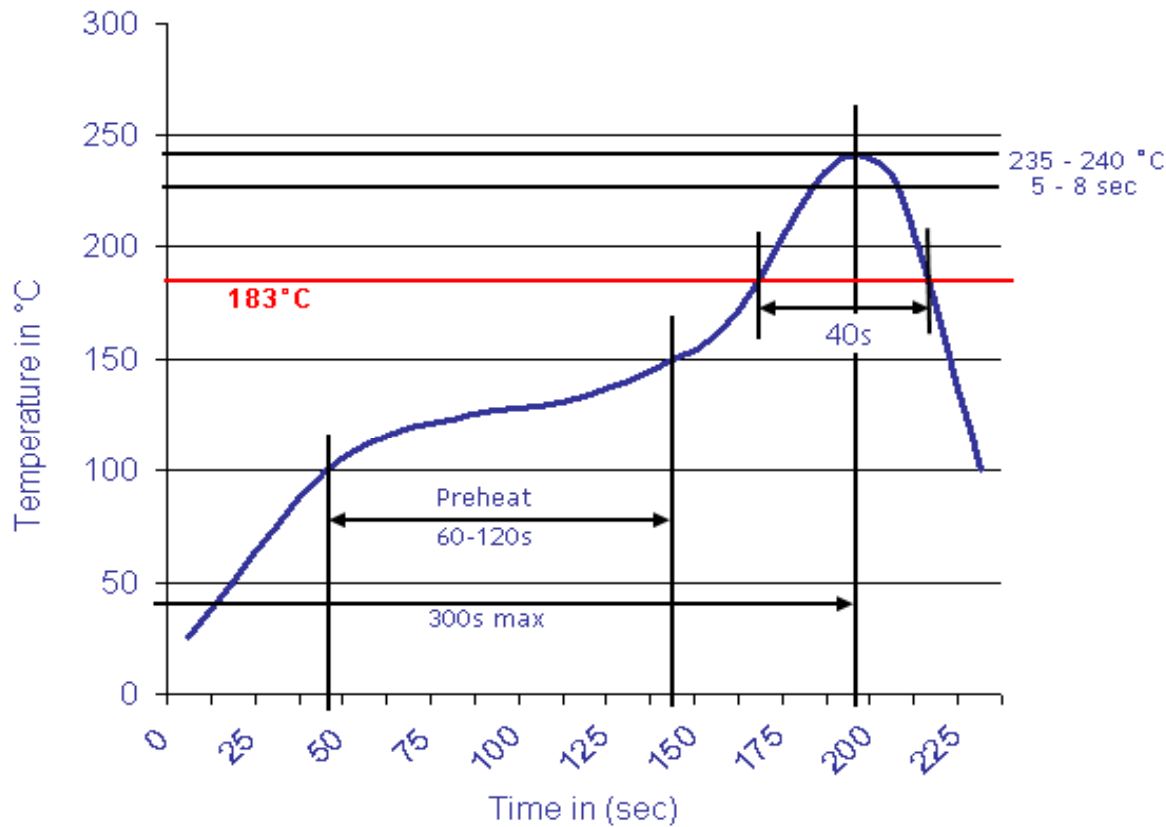
Screwless Terminal Block Pitch 5,08mm
Part No.: A11M049
Customer:

DRW:	Jason	CHKD	Wilson	MATL:	Wilson	TOLERANCE	Mason	DATE	08.01.2021
APPD:	Schumi			FINISH	Jamy		Sheet No.		3 from 4



Soldering Profile Curve

Classification Reflow Profile (JEDEC J-STD-020C)



Screwless Terminal Block Pitch 5,08mm	
Part No.:	A11M049
Customer:	

DRW:	Jason	CHKD	Wilson	MATL:	Wilson	TOLERANCE	Mason	DATE	08.01.2021
APPD:	Schumi			FINISH	Jamy		Sheet No.	4 from 4	