

# Data Sheet

## Screwless Terminal Block

**Pitch: 3,81 mm**

**Serie: A11H009**

### Customer Information for special Item

**EDCON Customer : 0**

**Customer Version No. : 0**

# EDCON-COMPONENTS



## Technical Discription

## Drawing (Dimension in mm)

### Electrical

Standard	cULus	IEC
Rated voltage	300V	250V
Rated current	8A	10A
Wire range	20-16 AWG	1.5mm <sup>2</sup>
Withstanding voltage	AC2000V/1min	

### Mechanical

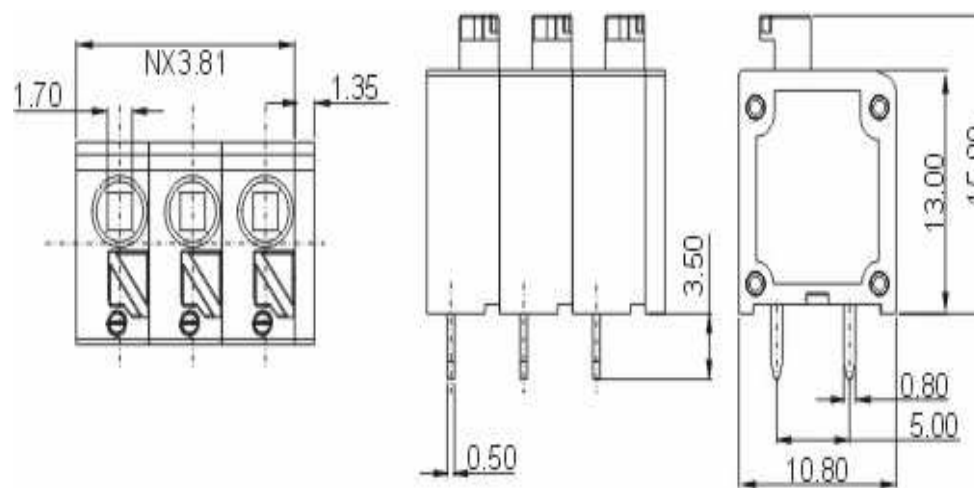
Wire strip length	8 ~ 9mm
Operating temperature	-40°C ~ +105°C

### Dimensions

Pitch	3.81mm
Poles	1P - xxP

### Material

Housing	PA66 (UL94V-0)
Pin header	Copper, Tin plated
Wire guard	Stainless steel



### Screwless Terminal Block

Part No.: **A11H009**

Customer:

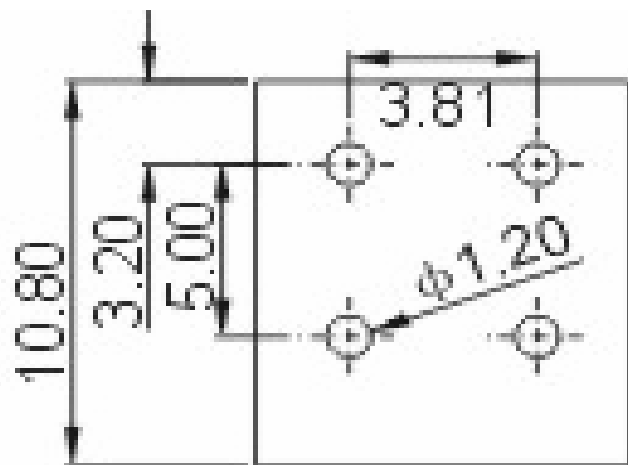
DRW:	Jason	CHKD	Wilson	MATL:	Wilson	TOLERANCE	Mason	DATE	30.01.2014
APPD:	Schumi			FINISH	Jamy		Sheet No.		1 from 4

# EDCON-COMPONENTS



PCB Layout (Dimension in mm)

Dimensions (mm)



No. of Pos.	A	Tol. P	B	Tol. P
02	7,62	± 0,35	3,81	± 0,35
03	11,43	± 0,35	7,62	± 0,35
04	15,24	± 0,35	11,43	± 0,35
05	19,05	± 0,35	15,24	± 0,35
06	22,86	± 0,35	19,05	± 0,35
07	26,67	± 0,35	22,86	± 0,35
08	30,48	± 0,35	26,67	± 0,35
09	34,29	± 0,35	30,48	± 0,35
10	38,10	± 0,35	34,29	± 0,35
11	41,91	± 0,35	38,10	± 0,35
12	45,72	± 0,35	41,91	± 0,35
13	49,53	± 0,36	45,72	± 0,36
14	53,34	± 0,37	49,53	± 0,37
15	57,15	± 0,38	53,34	± 0,38
16	60,96	± 0,39	57,15	± 0,39
17	64,77	± 0,40	60,96	± 0,40
18	68,58	± 0,41	64,77	± 0,41
19	72,39	± 0,42	68,58	± 0,42
20	76,20	± 0,43	72,39	± 0,43
21	80,01	± 0,44	76,20	± 0,44
22	83,82	± 0,45	80,01	± 0,45
23	87,63	± 0,46	83,82	± 0,46
24	91,44	± 0,47	87,63	± 0,47

**Screwless Terminal Block**

Part No.: **A11H009**

DRW:	Jason	CHKD	Wilson	MATL:	Wilson	TOLERANCE	Mason	DATE	30.01.2014	Customer:
APPD:	Schumi			FINISH	Jamy		Sheet No.	2 from 4		

# EDCON-COMPONENTS



## Ordering Informations

Serie	No. of Pos.	Body Color	Approval	Approval Code	ROHS	Packing	EDCON Cust. No.	Customer Version		
<b>A11H009</b>	<b>02</b>	<b>GY</b>	<b>N</b>	<b>N</b>	<b>R</b>	<b>B</b>				

Pitch:  
3,81

02= Number of Pos. Standard 2 ~ 24Pos.	<b>GY= Gray</b> (Standard)	<b>N= No</b> Approval	<b>N= NON</b> Approval	<b>R= ROHS</b> Conform	<b>B= Standard</b> Package	<b>xxxxxx=</b> Customer Number	<b>xxx=</b> Customer Version ??(Printing)
	<b>GN= Green</b>	<b>1= Approval</b> for Material	<b>A= UL /UR</b> Approval Please consult EDCON for available	<b>N= NON</b> ROHS Conform	<b>I= Individual</b> Package		
	<b>OR= Orange</b>	<b>2= Approval</b> for Terminal Block	<b>B= VDE</b> Approval Please consult EDCON for available				
	<b>BK= Black</b>		<b>C= TÜV</b> Approval Please consult EDCON for available				

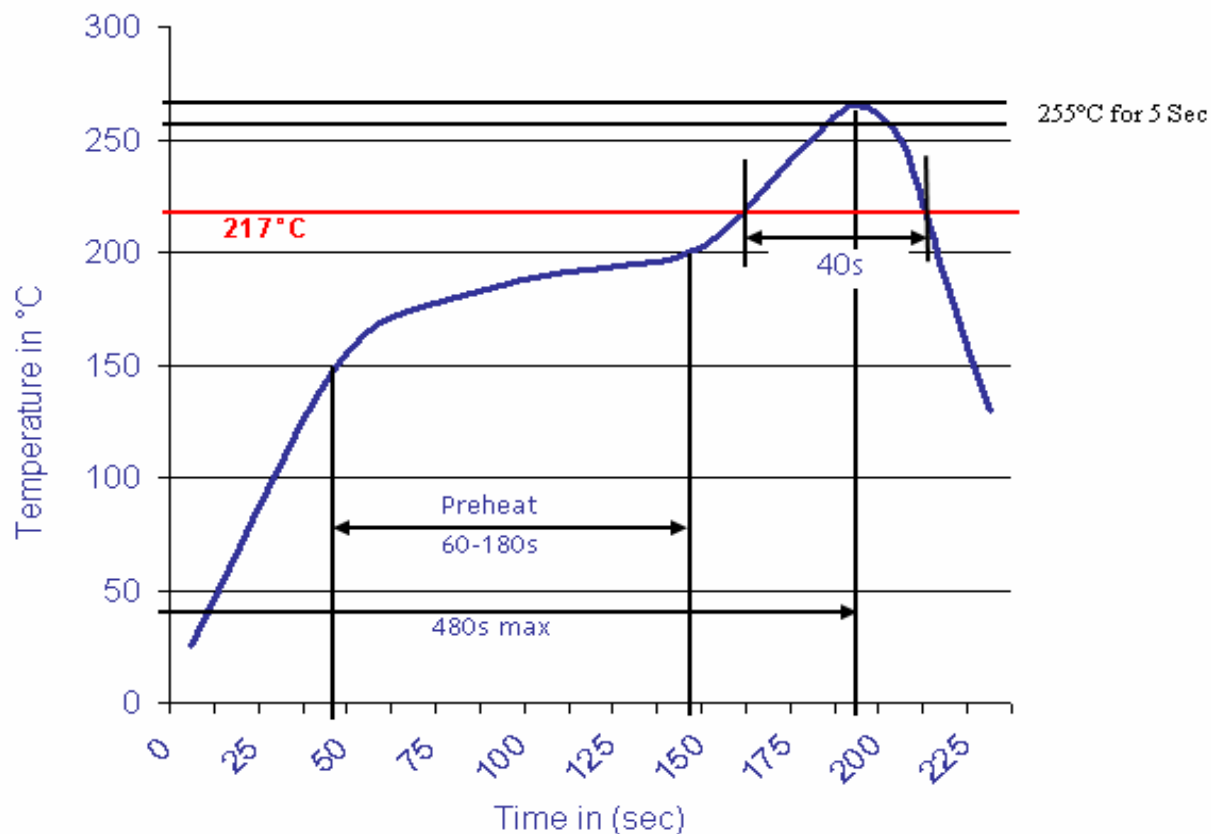
<b>Screwless Terminal Block</b>	
Part No.:	<b>A11H009</b>
Customer:	

DRW:	Jason	CHKD	Wilson	MATL:	Wilson	TOLERANCE	Mason	DATE	30.01.2014
APPD:	Schumi			FINISH	Jamy		Sheet No.		3 from 4



Soldering Profile Curve

Classification Reflow Profile (JEDEC J-STD-020C)



**Screwless Terminal Block**

Part No.: **A11H009**

Customer:

DRW:	Jason	CHKD	Wilson	MATL:	Wilson	TOLERANCE	Mason	DATE	30.01.2014
APPD:	Schumi			FINISH	Jamy		Sheet No.	4 from 4	



