

Data Sheet

Screwless Terminal Block Pitch 3,50mm

Pitch: 3,50 mm

Serie: A11G021

Customer Information for special Item

EDCON Customer : xxxxxx

Customer Version No. : xx

EDCON-COMPONENTS



Technical Discription

Electrical:

Rated voltage:
Rated current:
Withstanding Voltage: AC/1min:
Operating Temperature:

UL	IEC	VDE
300V	250V	
2A	2A	
2000V	2000V	

-40°C ~ +105°C

Mechanical:

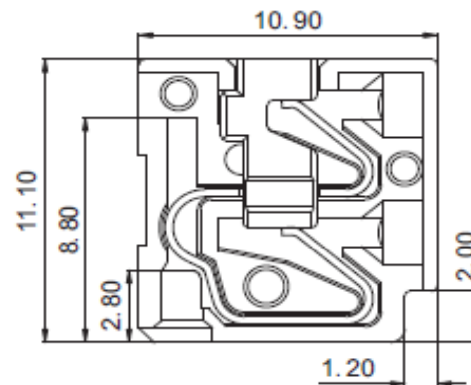
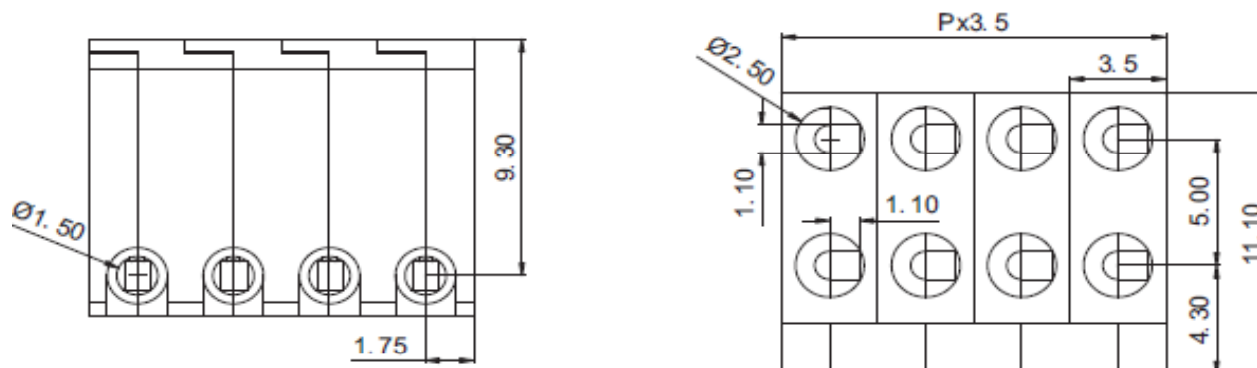
Strip length: mm
Wire range: Solid wire: AWG
Wire range: Stranded wire:AWG

6~7mm	6~7mm	
26~20	0,5mm ²	

Material:

Housing Terminal Body: PA66 UL94V-0
Housing Left-side: PA66 UL94V-0
Housing Right side: PA66 UL94V-0
Lever:
Terminal: Copper Matte Tin plated over Nickel
Spring Clamp: Stainless steel

Drawing (Dimension in mm)



Item No.		
1		
2		
3		
4		
5		
6		
7		
8		
9		

Tolerances unless otherwise specified (mm)				
X	X.X	X.XX	X.XXX	Angle
±	±	±	±	±3°
DRW:	Jason	CHKD	Wilson	MATL:
APPD:	Schumi			FINISH

Screwless Terminal Block Pitch 3,50mm	
Part No.:	A11G021
Customer:	

DRW:	Jason	CHKD	Wilson	MATL:	Wilson	TOLERANCE	Mason	DATE	30.11.2020
APPD:	Schumi			FINISH	Jamy		Sheet No.		1 from 4

EDCON-COMPONENTS



PCB Layout Dimension (mm)
TOP-VIEW

Dimensions (mm)

Frontside

**Screwless Terminal Block Pitch
3,50mm**

Part No.: **A11G021**

Customer:

DRW:	Jason	CHKD	Wilson	MATL:	Wilson	TOLERANCE	Mason	DATE	30.11.2020
APPD:	Schumi			FINISH	Jamy		Sheet No.		2 from 4

www.edcon-components.com

email: info@edcon-components.com

EDCON-COMPONENTS



Ordering Informations

Serie	No. of Pos.	Body Color	Srew Type	Approval Code	ROHS	Packing	EDCON Cust. No.	Customer Version		
A11G021	02	GY	C	N	R	B	xxxxxx	xx		

Pitch 3,50

02 = Number of Pos.	GY = Gray (Standard)	C = Screwless Type	N = NON Approval	R = ROHS Conform	B = Standard Package Box/ Polybag	xxxxxx = Customer Number	xx = Customer Version (Printing) ??
Standard 2 ~ 24Pos.			1 = UL-Approval for Body Material	N = NON ROHS Conform	I = Individual Package		
			A = UL /UR Approval Please consult EDCON for available				
			B = VDE Approval Please consult EDCON for available				
			C = TÜV Approval Please consult EDCON for available				

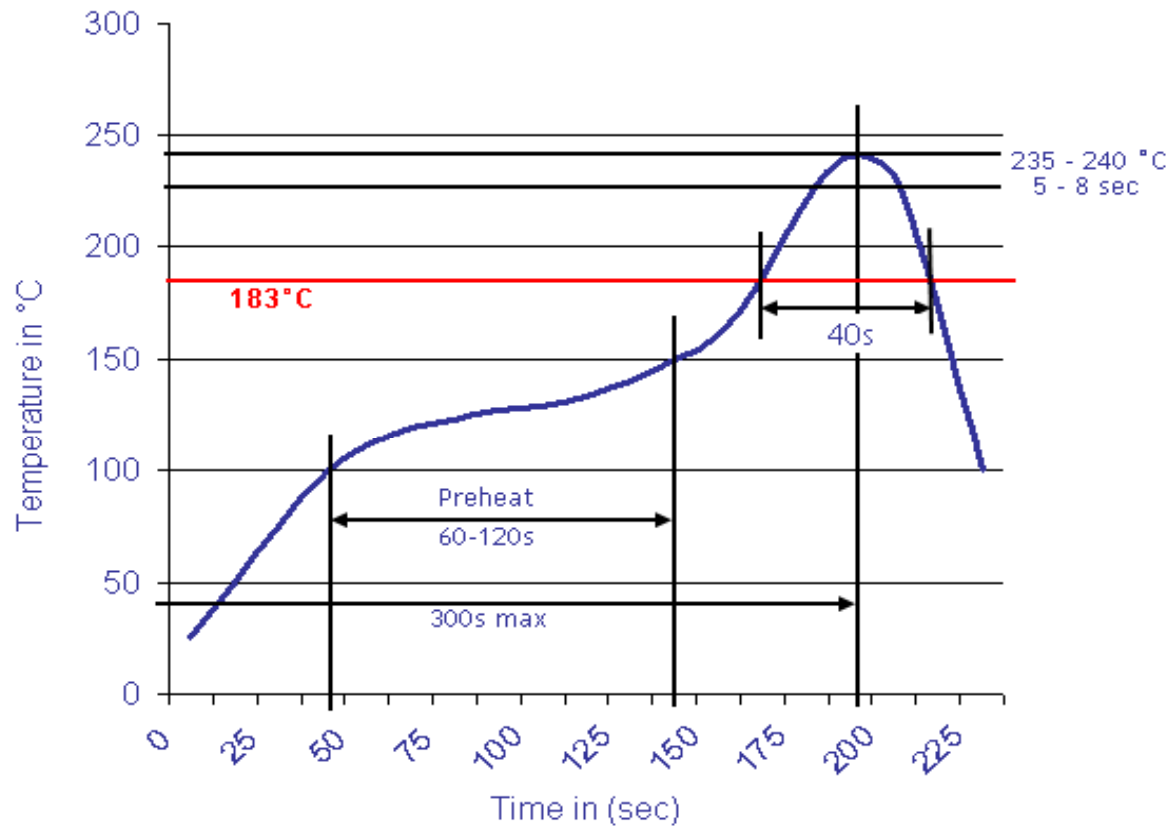
Screwless Terminal Block Pitch 3,50mm
Part No.: A11G021
Customer:

DRW:	Jason	CHKD	Wilson	MATL:	Wilson	TOLERANCE	Mason	DATE	30.11.2020
APPD:	Schumi			FINISH	Jamy		Sheet No.		3 from 4



Soldering Profile Curve

Classification Reflow Profile (JEDEC J-STD-020C)



Screwless Terminal Block Pitch 3,50mm	
Part No.:	A11G021
Customer:	

DRW:	Jason	CHKD	Wilson	MATL:	Wilson	TOLERANCE	Mason	DATE	30.11.2020
APPD:	Schumi			FINISH	Jamy		Sheet No.		4 from 4