

Data Sheet

Screwless Terminal Block

Pitch: 3,50 mm

Serie: A11G010

Customer Information for special Item

EDCON Customer : 0

Customer Version No. : 0

EDCON-COMPONENTS



Technical Discription

Drawing (Dimension in mm)

Electrical

Standard	UL	IEC
Rated voltage	600V	450V
Rated current	20A	24A
Wire range	22-14 AWG	2.5mm ²
With standing voltage	AC2500V/1min	

Mechanical

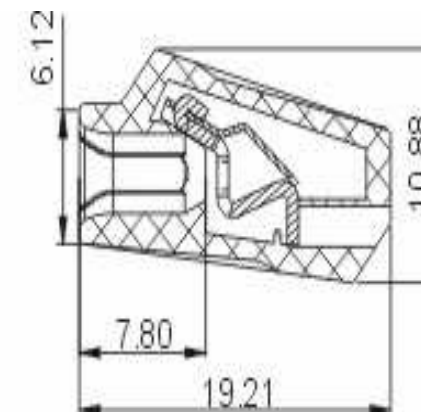
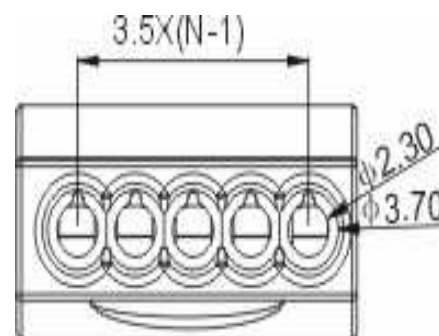
Operating temperature	-40°C ~ +105°C
Strip length	10 ~ 13mm

Dimensions

Pitch	3.50mm
Poles	2P, 3P, 4P, 5P, 8P

Material

Housing	PA66 (UL94V-0)
Pin header	Brass, Nickel plated
Wire guard	Stainless steel



Screwless Terminal Block

Part No.: **A11G010**

Customer:

DRW:	Jason	CHKD	Wilson	MATL:	Wilson	TOLERANCE	Mason	DATE	28.01.2014
APPD:	Schumi			FINISH	Jamy		Sheet No.	1 from 4	

EDCON-COMPONENTS



PCB Layout (Dimension in mm)

Dimensions (mm)

No. of Pos.	A	Tol. P	B	Tol. P
02	8,00	± 0,35	3,50	± 0,35
03	11,50	± 0,35	7,00	± 0,35
04	15,00	± 0,35	10,50	± 0,35
05	18,50	± 0,35	14,00	± 0,35
06	22,00	± 0,35	17,50	± 0,35
07	25,50	± 0,35	21,00	± 0,35
08	29,00	± 0,35	24,50	± 0,35
09	32,50	± 0,35	28,00	± 0,35
10	36,00	± 0,35	31,50	± 0,35
11	39,50	± 0,35	35,00	± 0,35
12	43,00	± 0,35	38,50	± 0,35
13	46,50	± 0,36	42,00	± 0,36
14	50,00	± 0,37	45,50	± 0,37
15	53,50	± 0,38	49,00	± 0,38
16	57,00	± 0,39	52,50	± 0,39
17	60,50	± 0,40	56,00	± 0,40
18	64,00	± 0,41	59,50	± 0,41
19	67,50	± 0,42	63,00	± 0,42
20	71,00	± 0,43	66,50	± 0,43
21	74,50	± 0,44	70,00	± 0,44
22	78,00	± 0,45	73,50	± 0,45
23	81,50	± 0,46	77,00	± 0,46
24	85,00	± 0,47	80,50	± 0,47

Screwless Terminal Block

Part No.: **A11G010**

DRW:	Jason	CHKD	Wilson	MATL:	Wilson	TOLERANCE	Mason	DATE	28.01.2014	Customer:
APPD:	Schumi			FINISH	Jamy		Sheet No.	2 from 4		

EDCON-COMPONENTS



Ordering Informations

Serie	No. of Pos.	Body Color	Approval	Approval Code	ROHS	Packing	EDCON Cust. No.	Customer Version		
A11G010	02	GY	N	N	R	B				

Pitch
3,50

02 = Number of Pos. Standard 2 ~ 24Pos.	GY = Gray (Standard) GN = Green OR = Orange BK = Black	N = No Approval 1 = Approval for Material 2 = Approval for Terminal Block	N = NON Approval A = UL /UR Approval Please consult EDCON for available B = VDE Approval Please consult EDCON for available C = TÜV Approval Please consult EDCON for available	R = ROHS Conform N = NON ROHS Conform	B = Standard Package I = Individual Package	xxxxxx = Customer Number	xxx = Customer Version ??(Printing)
---	---	--	--	--	--	---------------------------------	--

Screwless Terminal Block

Part No.: **A11G010**

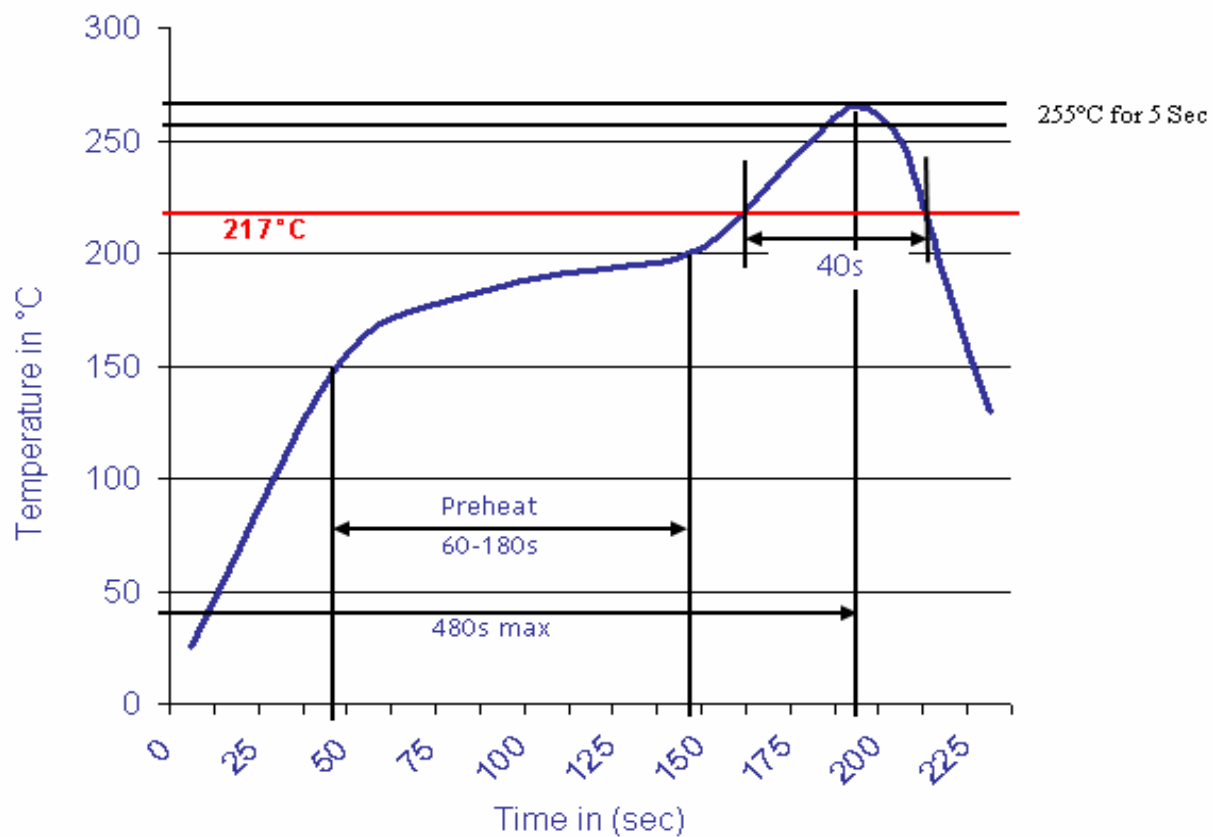
DRW:	Jason	CHKD	Wilson	MATL:	Wilson	TOLERANCE	Mason	DATE	28.01.2014
APPD:	Schumi			FINISH	Jamy		Sheet No.		3 from 4

Customer:



Soldering Profile Curve

Classification Reflow Profile (JEDEC J-STD-020C)



Screwless Terminal Block

Part No.: **A11G010**

Customer:

DRW:	Jason	CHKD	Wilson	MATL:	Wilson	TOLERANCE	Mason	DATE	28.01.2014
APPD:	Schumi			FINISH	Jamy		Sheet No.	4 from 4	

