

Data Sheet

Screwless Terminal Block

Pitch: 2,54 mm

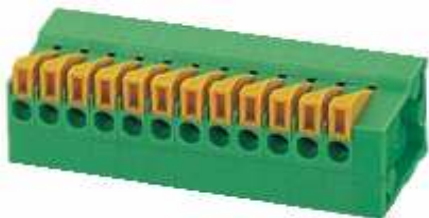
Serie: A11F017

Customer Information for special Item

EDCON Customer : 0

Customer Version No. : 0

EDCON-COMPONENTS



Technical Discription

Drawing (Dimension in mm)

Electrical

Standard	UL	IEC
Rated voltage	150V	130V
Rated current	2A	6A
Wire range	24-20 AWG	1.0mm ²
Withstanding voltage	AC1250V/1min	

Mechanical

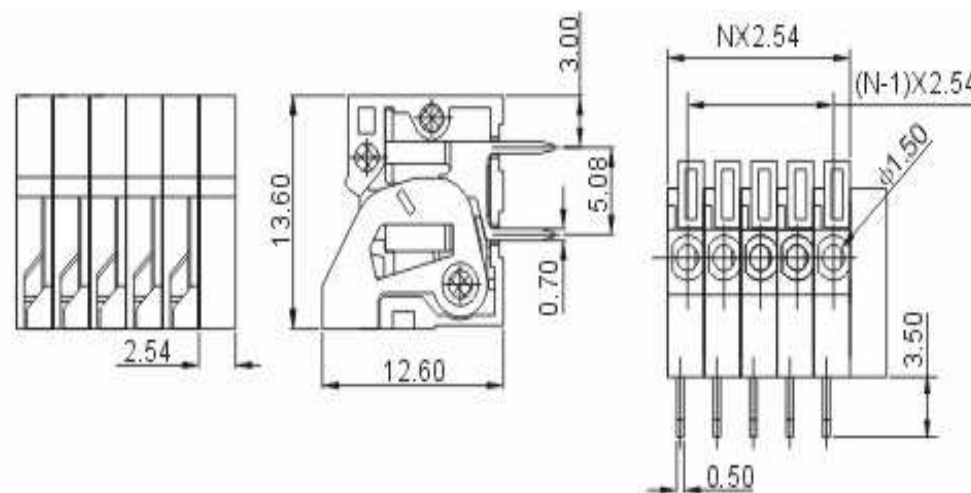
Ambient temperature	-40°C ~ +105°C
Strip length	11mm

Dimensions

Pitch	2.54mm
Poles	1P-xxP

Material

Housing	PA66 +5%GF. (UL94V-0)
Pin header	Brass, Tin plated
Wire guard	Stainless steel



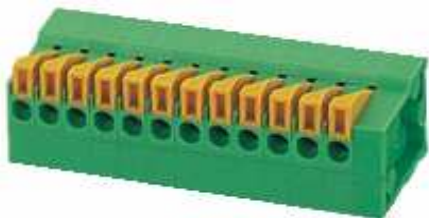
Screwless Terminal Block

Part No.: **A11F017**

Customer:

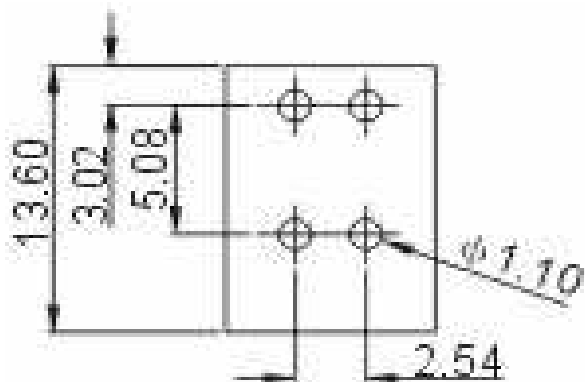
DRW:	Jason	CHKD	Wilson	MATL:	Wilson	TOLERANCE	Mason	DATE	28.01.2014
APPD:	Schumi			FINISH	Jamy		Sheet No.	1 from 4	

EDCON-COMPONENTS



PCB Layout (Dimension in mm)

Dimensions (mm)



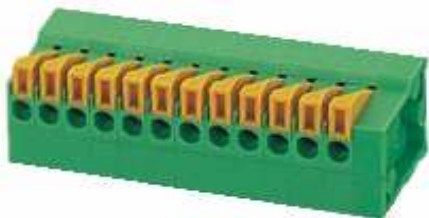
No. of Pos.	A	Tol. P	B	Tol. P
02	6,08	± 0,30	2,54	± 0,35
03	8,62	± 0,30	5,08	± 0,35
04	11,16	± 0,30	7,62	± 0,35
05	13,70	± 0,30	10,16	± 0,35
06	16,24	± 0,30	12,70	± 0,35
07	18,78	± 0,30	15,24	± 0,35
08	21,32	± 0,30	17,78	± 0,35
09	23,86	± 0,30	20,32	± 0,35
10	26,40	± 0,30	22,86	± 0,35
11	28,94	± 0,30	25,40	± 0,35
12	31,48	± 0,30	27,94	± 0,35
13	34,02	± 0,31	30,48	± 0,36
14	36,56	± 0,32	33,02	± 0,37
15	39,10	± 0,33	35,56	± 0,38
16	41,64	± 0,34	38,10	± 0,39
17	44,18	± 0,35	40,64	± 0,40
18	46,72	± 0,36	43,18	± 0,41
19	49,26	± 0,37	45,72	± 0,42
20	51,80	± 0,38	48,26	± 0,43
21	54,34	± 0,39	50,80	± 0,44
22	56,88	± 0,40	53,34	± 0,45
23	59,42	± 0,41	55,88	± 0,46
24	61,96	± 0,42	58,42	± 0,47

Screwless Terminal Block

Part No.: **A11F017**

DRW:	Jason	CHKD	Wilson	MATL:	Wilson	TOLERANCE	Mason	DATE	28.01.2014	Customer:
APPD:	Schumi			FINISH	Jamy		Sheet No.	2 from 4		

EDCON-COMPONENTS



Ordering Informations

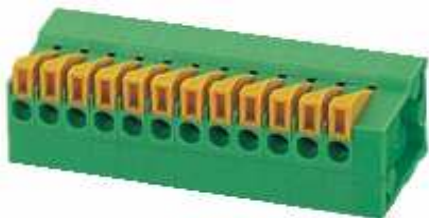
Serie	No. of Pos.	Body Color	Approval	Approval Code	ROHS	Packing	EDCON Cust. No.	Customer Version		
-------	-------------	------------	----------	---------------	------	---------	-----------------	------------------	--	--

A11F017	02	GN	N	N	R	B				
----------------	-----------	-----------	----------	----------	----------	----------	--	--	--	--

Pitch 2,54	02= Number of Pos. Standard 2 ~ 24Pos.	GY= Gray (Standard) GN= Green OR= Orange BK= Black	N= No Approval 1= Approval for Material 2= Approval for Terminal Block	N= NON Approval A= UL /UR Approval Please consult EDCON for available B= VDE Approval Please consult EDCON for available C= TÜV Approval Please consult EDCON for available	R= ROHS Conform N= NON ROHS Conform	B= Standard Package I= Individual Package	xxxxxx= Customer Number	xxx= Customer Version ??(Printing)
---------------	---	---	--	--	--	--	-------------------------	------------------------------------

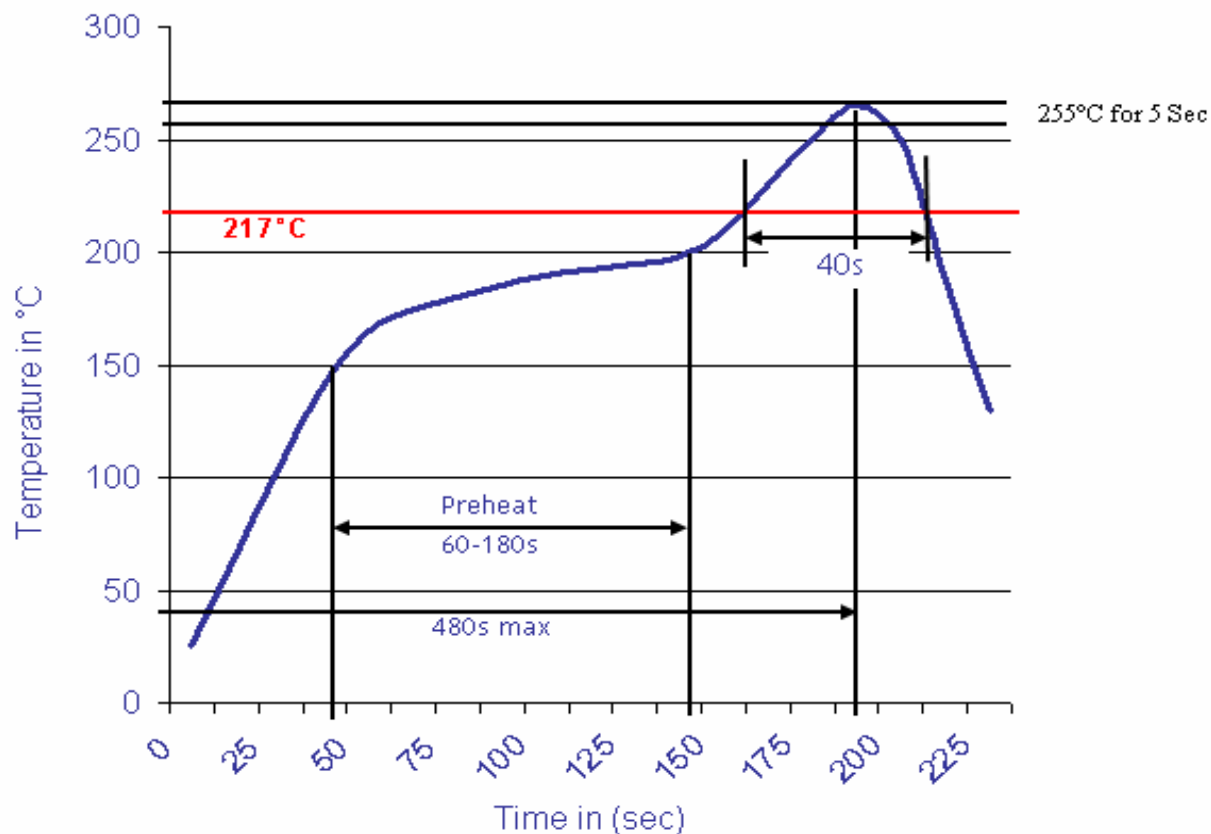
Screwless Terminal Block	
Part No.:	A11F017
Customer:	

DRW:	Jason	CHKD	Wilson	MATL:	Wilson	TOLERANCE	Mason	DATE	28.01.2014
APPD:	Schumi			FINISH	Jamy		Sheet No.		3 from 4



Soldering Profile Curve

Classification Reflow Profile (JEDEC J-STD-020C)



Screwless Terminal Block

Part No.: **A11F017**

Customer:

DRW:	Jason	CHKD	Wilson	MATL:	Wilson	TOLERANCE	Mason	DATE	28.01.2014
APPD:	Schumi			FINISH	Jamy		Sheet No.	4 from 4	

