

# Data Sheet

## Screwless Terminal Block

**Pitch: 2,54 mm**

**Serie: A11F008**

### Customer Information for special Item

**EDCON Customer : 0**

**Customer Version No. : 0**

# EDCON-COMPONENTS



## Technical Discription

## Drawing (Dimension in mm)

### Electrical

Standard	UL	IEC
Rated voltage	150V	130V
Rated current	4A	6A
Wire range	28-20 AWG	0.5mm <sup>2</sup>
Withstanding voltage	AC1250V/1min	

### Mechanical

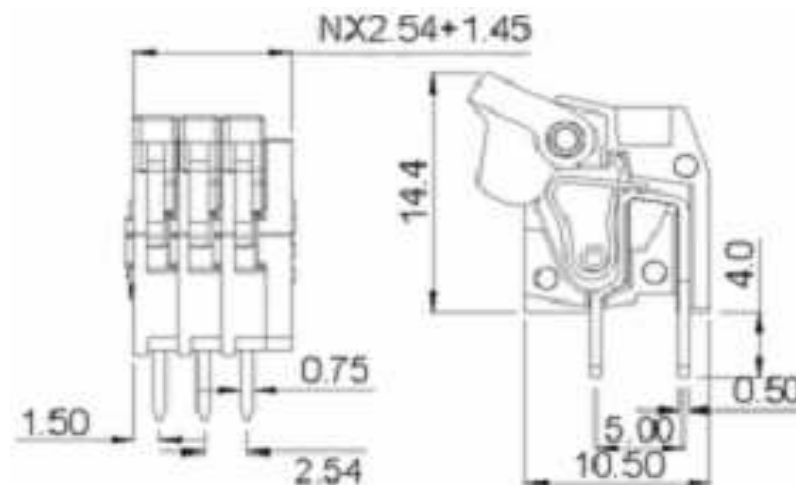
Ambient temperature	-40°C ~ +105°C
Strip length	5 - 6mm

### Dimensions

Pitch	2.54mm
Poles	1P-xxP

### Material

Housing	PA66 (UL94V-0)
Pin header	Phosphor Bronze, Tin plated
Wire guard	Stainless steel



### Screwless Terminal Block

Part No.: **A11F008**

Customer:

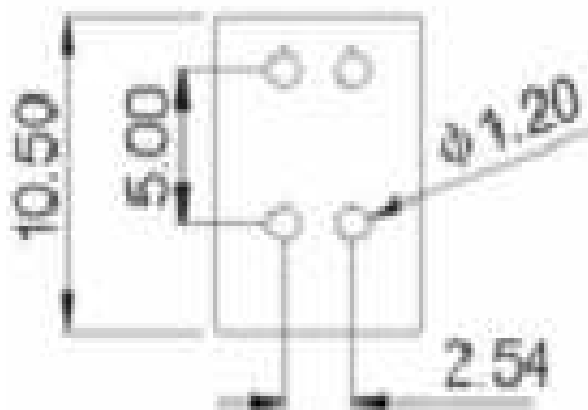
DRW:	Jason	CHKD	Wilson	MATL:	Wilson	TOLERANCE	Mason	DATE	28.01.2014
APPD:	Schumi			FINISH	Jamy		Sheet No.		1 from 4

# EDCON-COMPONENTS



PCB Layout (Dimension in mm)

Dimensions (mm)



No. of Pos.	A	Tol. P	B	Tol. P
02	6,53	± 0,30	2,54	± 0,35
03	9,07	± 0,30	5,08	± 0,35
04	11,61	± 0,30	7,62	± 0,35
05	14,15	± 0,30	10,16	± 0,35
06	16,69	± 0,30	12,70	± 0,35
07	19,23	± 0,30	15,24	± 0,35
08	21,77	± 0,30	17,78	± 0,35
09	24,31	± 0,30	20,32	± 0,35
10	26,85	± 0,30	22,86	± 0,35
11	29,39	± 0,30	25,40	± 0,35
12	31,93	± 0,30	27,94	± 0,35
13	34,47	± 0,31	30,48	± 0,36
14	37,01	± 0,32	33,02	± 0,37
15	39,55	± 0,33	35,56	± 0,38
16	42,09	± 0,34	38,10	± 0,39
17	44,63	± 0,35	40,64	± 0,40
18	47,17	± 0,36	43,18	± 0,41
19	49,71	± 0,37	45,72	± 0,42
20	52,25	± 0,38	48,26	± 0,43
21	54,79	± 0,39	50,80	± 0,44
22	57,33	± 0,40	53,34	± 0,45
23	59,87	± 0,41	55,88	± 0,46
24	62,41	± 0,42	58,42	± 0,47

**Screwless Terminal Block**

Part No.: **A11F008**

DRW:	Jason	CHKD	Wilson	MATL:	Wilson	TOLERANCE	Mason	DATE	28.01.2014	Customer:
APPD:	Schumi			FINISH	Jamy		Sheet No.	2 from 4		

# EDCON-COMPONENTS



## Ordering Informations

Serie	No. of Pos.	Body Color	Approval	Approval Code	ROHS	Packing	EDCON Cust. No.	Customer Version		
-------	-------------	------------	----------	---------------	------	---------	-----------------	------------------	--	--

<b>A11F008</b>	<b>02</b>	<b>GY</b>	<b>N</b>	<b>N</b>	<b>R</b>	<b>B</b>				
----------------	-----------	-----------	----------	----------	----------	----------	--	--	--	--

Pitch	02= Number of Pos.	GY= Gray (Standard)	N= No Approval	N= NON Approval	R= ROHS Conform	B= Standard Package	xxxxxx= Customer Number	xxx= Customer Version ??(Printing)
-------	--------------------	---------------------	----------------	-----------------	-----------------	---------------------	-------------------------	------------------------------------

2,54	Standard 2 ~ 24Pos.	GN= Green	1= Approval for Material	A= UL /UR Approval Please consult EDCON for available	N= NON ROHS Conform	I= Individual Package		
		OR= Orange	2= Approval for Terminal Block	B= VDE Approval Please consult EDCON for available				
		BK= Black		C= TÜV Approval Please consult EDCON for available				

<b>Screwless Terminal Block</b>	
Part No.:	<b>A11F008</b>
Customer:	

DRW:	Jason	CHKD	Wilson	MATL:	Wilson	TOLERANCE	Mason	DATE	28.01.2014
APPD:	Schumi			FINISH	Jamy		Sheet No.		3 from 4



Soldering Profile Curve

Classification Reflow Profile (JEDEC J-STD-020C)



**Screwless Terminal Block**

Part No.: **A11F008**

Customer:

DRW:	Jason	CHKD	Wilson	MATL:	Wilson	TOLERANCE	Mason	DATE	28.01.2014
APPD:	Schumi			FINISH	Jamy		Sheet No.	4 from 4	



