

# Data Sheet

## Screwless Terminal Block

**Pitch: 2,54 mm**

**Serie: A11F003**

### Customer Information for special Item

**EDCON Customer : 0**

**Customer Version No. : 0**

# EDCON-COMPONENTS



## Technical Discription

## Drawing (Dimension in mm)

### Electrical

Standard  
Rated voltage  
Rated current  
Wire range

VDE	CUL
AC 130V	AC 150V
6A	4A
0.2-0.5mm <sup>2</sup>	28-20 AWG

### Mechanical

Operating temperature

-40°C ~ +105°C

### Dimensions

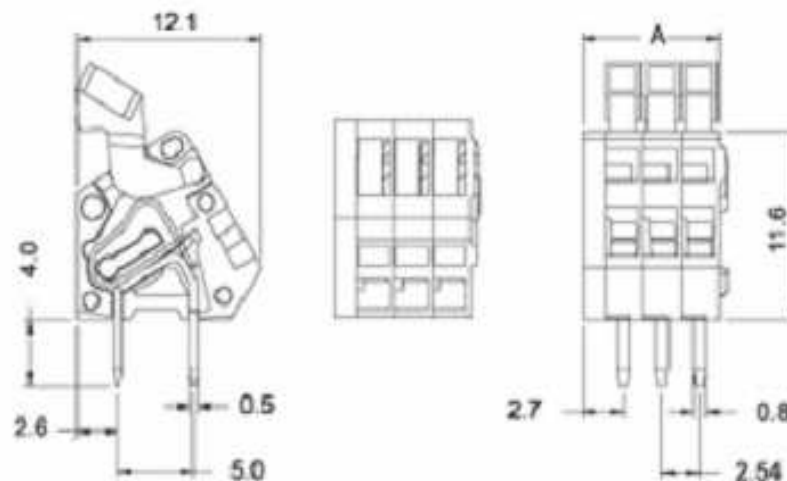
Pitch  
Poles

2.54mm  
2P - 24P

### Material

Housing  
Pin header  
Wire guard

Polyamide66 (UL94V-0)  
Brass, Tin plated  
Stainless strip steel



### Screwless Terminal Block

Part No.: **A11F003**

Customer:

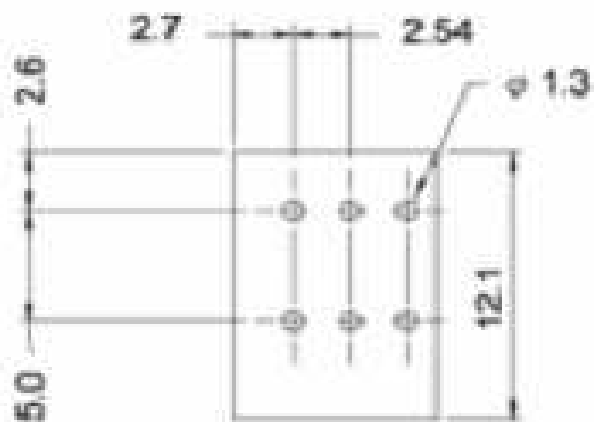
DRW:	Jason	CHKD	Wilson	MATL:	Wilson	TOLERANCE	Mason	DATE	28.01.2014
APPD:	Schumi			FINISH	Jamy		Sheet No.	1 from 4	

# EDCON-COMPONENTS



PCB Layout (Dimension in mm)

Dimensions (mm)



No. of Pos.	A	Tol. P	B	Tol. P
02	5,08	± 0,30	2,54	± 0,35
03	7,62	± 0,30	5,08	± 0,35
04	10,16	± 0,30	7,62	± 0,35
05	12,70	± 0,30	10,16	± 0,35
06	15,24	± 0,30	12,70	± 0,35
07	17,78	± 0,30	15,24	± 0,35
08	20,32	± 0,30	17,78	± 0,35
09	22,86	± 0,30	20,32	± 0,35
10	25,40	± 0,30	22,86	± 0,35
11	27,94	± 0,30	25,40	± 0,35
12	30,48	± 0,30	27,94	± 0,35
13	33,02	± 0,31	30,48	± 0,36
14	35,56	± 0,32	33,02	± 0,37
15	38,10	± 0,33	35,56	± 0,38
16	40,64	± 0,34	38,10	± 0,39
17	43,18	± 0,35	40,64	± 0,40
18	45,72	± 0,36	43,18	± 0,41
19	48,26	± 0,37	45,72	± 0,42
20	50,80	± 0,38	48,26	± 0,43
21	53,34	± 0,39	50,80	± 0,44
22	55,88	± 0,40	53,34	± 0,45
23	58,42	± 0,41	55,88	± 0,46
24	60,96	± 0,42	58,42	± 0,47

**Screwless Terminal Block**

Part No.: **A11F003**

DRW:	Jason	CHKD	Wilson	MATL:	Wilson	TOLERANCE	Mason	DATE	28.01.2014	Customer:
APPD:	Schumi			FINISH	Jamy		Sheet No.	2 from 4		

# EDCON-COMPONENTS



## Ordering Informations

Serie	No. of Pos.	Body Color	Approval	Approval Code	ROHS	Packing	EDCON Cust. No.	Customer Version		
<b>A11F003</b>	<b>02</b>	<b>GY</b>	<b>N</b>	<b>N</b>	<b>R</b>	<b>B</b>				

Pitch  
2,54

02= Number of Pos. Standard 2 ~ 24Pos.	<b>GY</b> = Gray (Standard)	<b>N</b> = No Approval	<b>N</b> = NON Approval	<b>R</b> = ROHS Conform	<b>B</b> = Standard Package	<b>xxxxxx</b> = Customer Number	<b>xxx</b> = Customer Version ??(Printing)
	<b>GN</b> = Green	<b>1</b> = Approval for Material	<b>A</b> = UL /UR Approval Please consult EDCON for available	<b>N</b> = NON ROHS Conform	<b>I</b> = Individual Package		
	<b>OR</b> = Orange	<b>2</b> = Approval for Terminal Block	<b>B</b> = VDE Approval Please consult EDCON for available				
	<b>BK</b> = Black		<b>C</b> = TÜV Approval Please consult EDCON for available				

**Screwless Terminal Block**

Part No.: **A11F003**

DRW:	Jason	CHKD	Wilson	MATL:	Wilson	TOLERANCE	Mason	DATE	28.01.2014
APPD:	Schumi			FINISH	Jamy			Sheet No.	3 from 4

Customer:



Soldering Profile Curve

Classification Reflow Profile (JEDEC J-STD-020C)



**Screwless Terminal Block**

Part No.: **A11F003**

Customer:

DRW:	Jason	CHKD	Wilson	MATL:	Wilson	TOLERANCE	Mason	DATE	28.01.2014
APPD:	Schumi			FINISH	Jamy		Sheet No.	4 from 4	



