

# Data Sheet

## Screwless Terminal Block

**Pitch: 2,50 mm**

**Serie: A11E026**

### Customer Information for special Item

**EDCON Customer : 0**

**Customer Version No. : 0**

# EDCON-COMPONENTS



## Technical Discription

## Drawing (Dimension in mm)

### Electrical

	UL	IEC
Standard	150V	160V
Rated voltage	6A	6A
Rated current	24-20 AWG	0.5mm <sup>2</sup>
Wire range	2KV	2KV
Rated Impulse Voltage		

### Mechanical

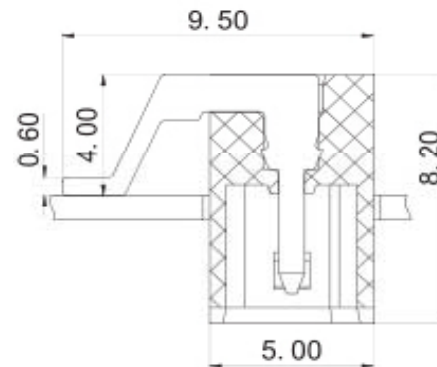
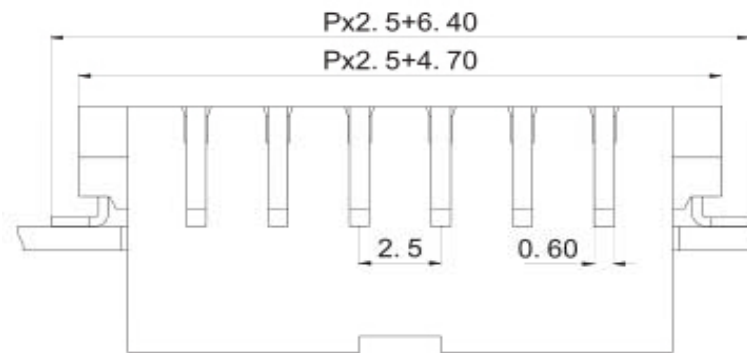
Temperature range	-40°C ~ +105°C
Strip length	5 ~ 6mm

### Dimensions

Pitch	2.50mm
Poles	2P - 12P

### Material

Housing	PPA-GF, UL94V-0
Pin header	Phosphor Bronze Tin Plated
Wire guard	Stainless steel



### Screwless Terminal Block

Part No.: **A11E026**

Customer:

DRW:	Jason	CHKD	Wilson	MATL:	Wilson	TOLERANCE	Mason	DATE	30.12.2020
APPD:	Schumi			FINISH	Jamy		Sheet No.		1 from 4

[www.edcon-components.com](http://www.edcon-components.com)

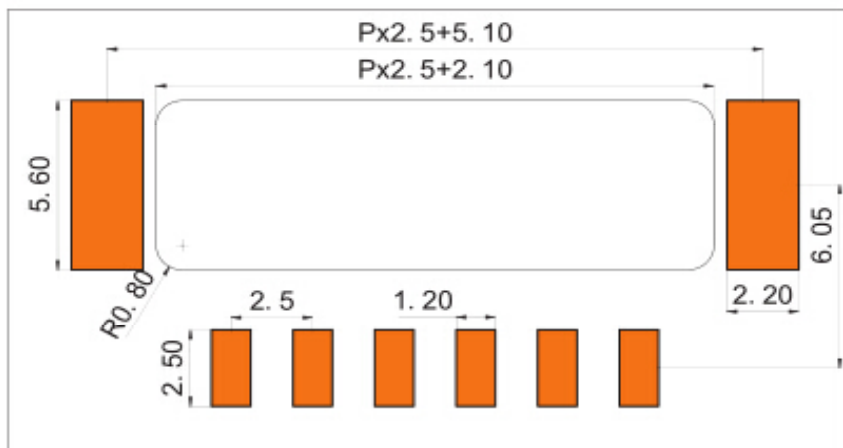
email: [info@edcon-components.com](mailto:info@edcon-components.com)

# EDCON-COMPONENTS



PCB Layout (Dimension in mm)

Dimensions (mm)




<b>Screwless Terminal Block</b>	
Part No.:	<b>A11E026</b>
Customer:	

DRW:	Jason	CHKD	Wilson	MATL:	Wilson	TOLERANCE	Mason	DATE	30.12.2020
APPD:	Schumi			FINISH	Jamy		Sheet No.		2 from 4

# EDCON-COMPONENTS



## Ordering Informations

Serie	No. of Pos.	Body Color	Approval	Approval Code	ROHS	Packing	EDCON Cust. No.	Customer Version		
-------	-------------	------------	----------	---------------	------	---------	-----------------	------------------	--	--

<b>A11E026</b>	<b>02</b>	<b>WH</b>	<b>N</b>	<b>N</b>	<b>R</b>	<b>B</b>				
----------------	-----------	-----------	----------	----------	----------	----------	--	--	--	--

Pitch 2,50
---------------

<b>02=</b> Number of Pos.		<b>N=</b> No Approval	<b>N=</b> NON Approval	<b>R=</b> ROHS Conform	<b>B=</b> Standard Package	<b>xxxxxx=</b> Customer Number	<b>xxx=</b> Customer Version ??(Printing)
Standard 2 ~ 12Pos.	<b>WH=</b> White	<b>1=</b> Approval for Material	<b>A=</b> UL /UR Approval Please consult EDCON for available	<b>N=</b> NON ROHS Conform	<b>I=</b> Individual Package		
		<b>2=</b> Approval for Terminal Block					
			<b>B=</b> VDE Approval Please consult EDCON for available				
			<b>C=</b> TÜV Approval Please consult EDCON for available				

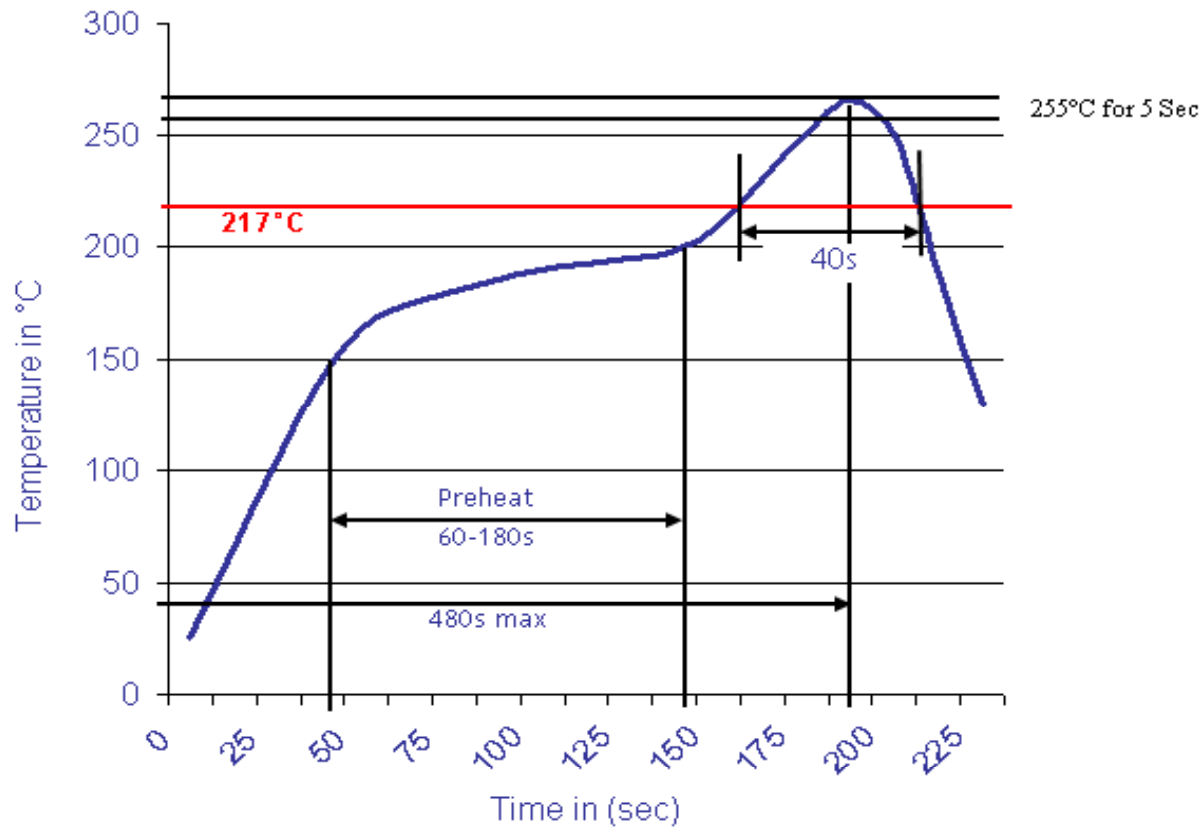
<b>Screwless Terminal Block</b>	
Part No.:	<b>A11E026</b>
Customer:	

DRW:	Jason	CHKD	Wilson	MATL:	Wilson	TOLERANCE	Mason	DATE	30.12.2020
APPD:	Schumi			FINISH	Jamy		Sheet No.		3 from 4



Soldering Profile Curve

Classification Reflow Profile (JEDEC J-STD-020C)



<b>Screwless Terminal Block</b>	
Part No.:	<b>A11E026</b>
Customer:	

DRW:	Jason	CHKD	Wilson	MATL:	Wilson	TOLERANCE	Mason	DATE	30.12.2020
APPD:	Schumi			FINISH	Jamy		Sheet No.		4 from 4