

Data Sheet

Screwless Terminal Block

Pitch: 2,50 mm

Serie: A11E020

Customer Information for special Item

EDCON Customer : 0

Customer Version No. : 0

EDCON-COMPONENTS



Technical Discription

Drawing (Dimension in mm)

Electrical

Standard	UL	IEC
Rated voltage	150V	160V
Rated current	6A	6A
Wire range	24-20 AWG	0.5mm ²
Rated Impulse Voltage	2KV	2KV

Mechanical

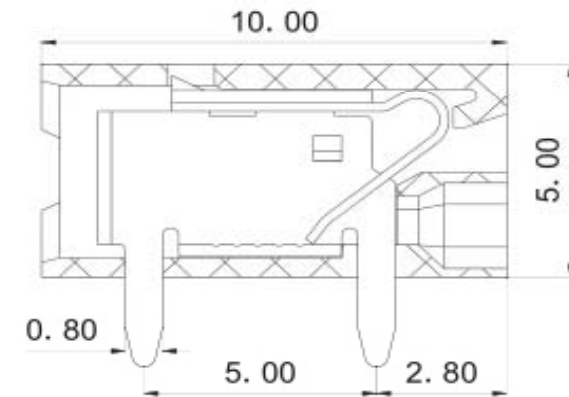
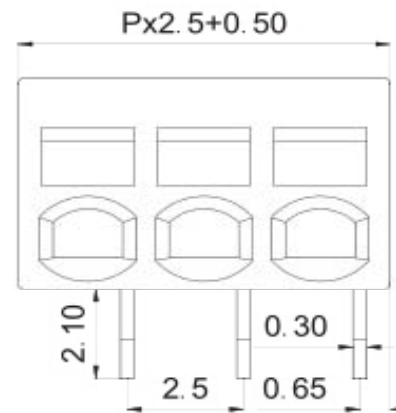
Temperature range	-40°C ~ +105°C
Strip length	5 ~ 6mm

Dimensions

Pitch	2.50mm
Poles	2P - 12P

Material

Housing	PPA-GF, UL94V-0
Pin header	Phosphor Bronze Tin Plated
Wire guard	Stainless steel



Screwless Terminal Block

Part No.: **A11E020**

Customer:

DRW:	Jason	CHKD	Wilson	MATL:	Wilson	TOLERANCE	Mason	DATE	30.12.2020
APPD:	Schumi			FINISH	Jamy		Sheet No.		1 from 4

www.edcon-components.com

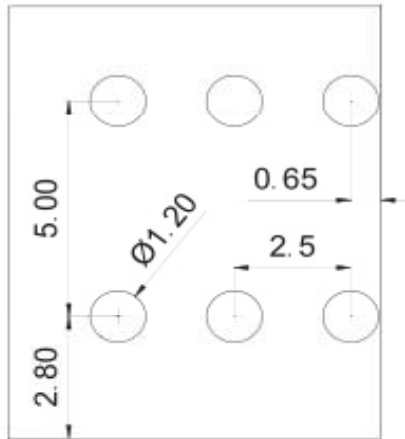
email: info@edcon-components.com

EDCON-COMPONENTS



PCB Layout (Dimension in mm)

Dimensions (mm)



No. of Pos.	A	Tol. P	B	Tol. P
02	6,50	± 0,35	2,50	± 0,35
03	9,00	± 0,35	5,00	± 0,35
04	11,50	± 0,35	7,50	± 0,35
05	14,00	± 0,35	10,00	± 0,35
06	16,50	± 0,35	12,50	± 0,35
07	19,00	± 0,35	15,00	± 0,35
08	21,50	± 0,35	17,50	± 0,35
09	24,00	± 0,35	20,00	± 0,35
10	26,50	± 0,35	22,50	± 0,35
11	29,00	± 0,35	25,00	± 0,35
12	31,50	± 0,35	27,50	± 0,35
13	34,00	± 0,35	30,00	± 0,35
14	36,50	± 0,35	32,50	± 0,35
15	39,00	± 0,35	35,00	± 0,35
16	41,50	± 0,35	37,50	± 0,35
17	44,00	± 0,35	40,00	± 0,35
18	46,50	± 0,35	42,50	± 0,35
19	49,00	± 0,35	45,00	± 0,35
20	51,50	± 0,35	47,50	± 0,35
21	54,00	± 0,35	50,00	± 0,35
22	56,50	± 0,35	52,50	± 0,35
23	59,00	± 0,35	55,00	± 0,35
24	61,50	± 0,35	57,50	± 0,35

Screwless Terminal Block	
Part No.:	A11E020
Customer:	

DRW:	Jason	CHKD	Wilson	MATL:	Wilson	TOLERANCE	Mason	DATE	30.12.2020
APPD:	Schumi			FINISH	Jamy		Sheet No.		2 from 4

EDCON-COMPONENTS



Ordering Informations

Serie	No. of Pos.	Body Color	Approval	Approval Code	ROHS	Packing	EDCON Cust. No.	Customer Version		
-------	-------------	------------	----------	---------------	------	---------	-----------------	------------------	--	--

A11E020	02	BK	N	N	R	B				
----------------	-----------	-----------	----------	----------	----------	----------	--	--	--	--

Pitch 2,50

02= Number of Pos.		N= No Approval	N= NON Approval	R= ROHS Conform	B= Standard Package	xxxxxx= Customer Number	xxx= Customer Version ??(Printing)
Standard 2 ~ 12Pos.		1= Approval for Material	A= UL /UR Approval Please consult EDCON for available	N= NON ROHS Conform	I= Individual Package		
		2= Approval for Terminal Block					
			B= VDE Approval Please consult EDCON for available				
	BK= Black		C= TÜV Approval Please consult EDCON for available				

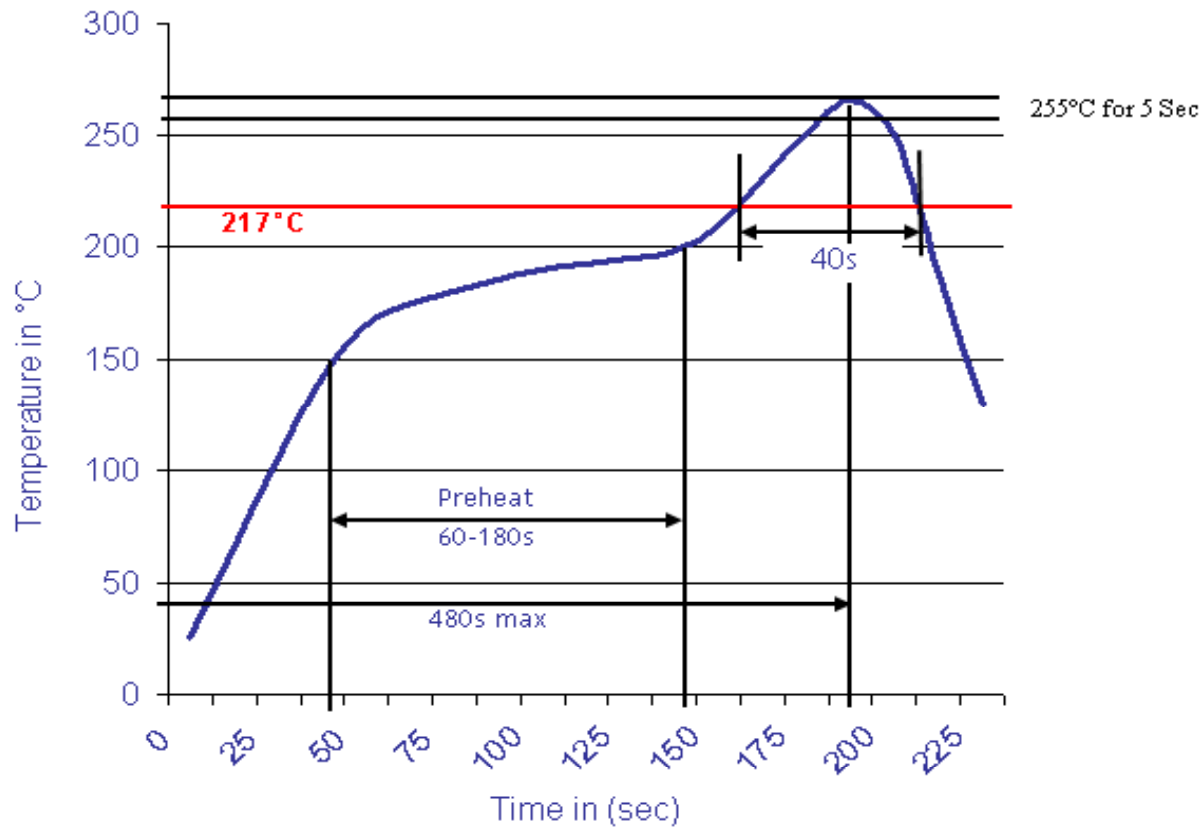
Screwless Terminal Block	
Part No.:	A11E020
Customer:	

DRW:	Jason	CHKD	Wilson	MATL:	Wilson	TOLERANCE	Mason	DATE	30.12.2020
APPD:	Schumi			FINISH	Jamy		Sheet No.		3 from 4



Soldering Profile Curve

Classification Reflow Profile (JEDEC J-STD-020C)



Screwless Terminal Block

Part No.: **A11E020**

Customer:

DRW:	Jason	CHKD	Wilson	MATL:	Wilson	TOLERANCE	Mason	DATE	30.12.2020
APPD:	Schumi			FINISH	Jamy		Sheet No.	4 from 4	