

# Data Sheet

## Screwless Terminal Block

**Pitch: 2,50 mm**

**Serie: A11E017**

### Customer Information for special Item

**EDCON Customer : 0**

**Customer Version No. : 0**

# EDCON-COMPONENTS



## Technical Discription

## Drawing (Dimension in mm)

### Electrical

Standard	UL	VDE
Rated voltage	250V	250V
Rated current	2A	2A
Wire range	14-22 AWG	14-22 AWG

### Mechanical

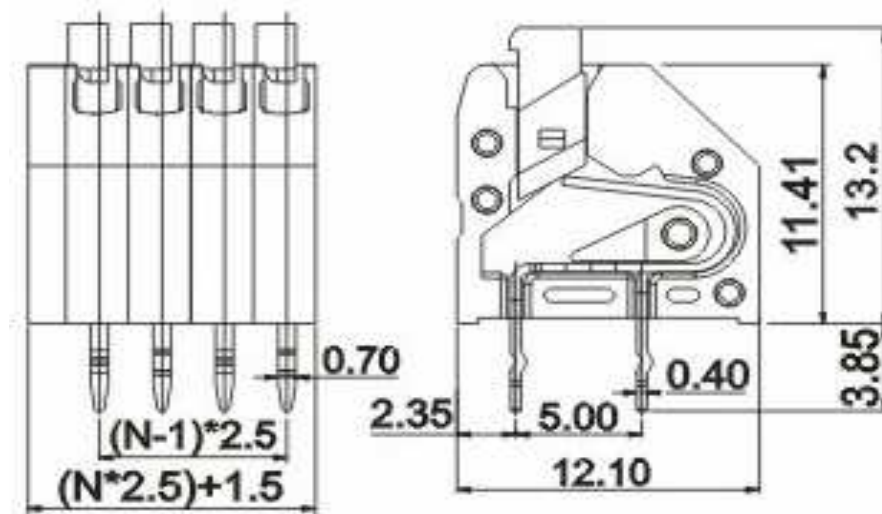
Temperature range	-40°C ~ +105°C
Strip length	7.5 ~ 8.5mm

### Dimensions

Pitch	2.50mm
Poles	2P - 25P

### Material

Housing	Nylon PA66 (UL94V-0)
Pin header	Brass, Tin plated
Wire guard	Stainless steel



### Screwless Terminal Block

Part No.: **A11E017**

Customer:

DRW:	Jason	CHKD	Wilson	MATL:	Wilson	TOLERANCE	Mason	DATE	27.01.2014
APPD:	Schumi			FINISH	Jamy		Sheet No.	1 from 4	

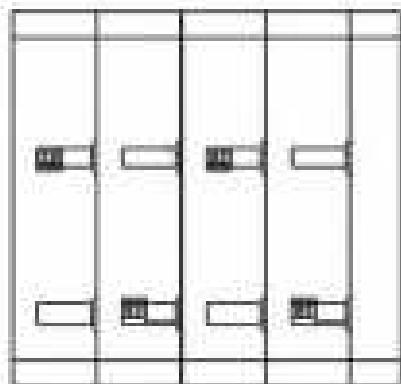
# EDCON-COMPONENTS



PCB Layout (Dimension in mm)

Dimensions (mm)

first Pin from left  
in rearside



No. of Pos.	A	Tol. P	B	Tol. P
02	6,50	± 0,35	2,50	± 0,35
03	9,00	± 0,35	5,00	± 0,35
04	11,50	± 0,35	7,50	± 0,35
05	14,00	± 0,35	10,00	± 0,35
06	16,50	± 0,35	12,50	± 0,35
07	19,00	± 0,35	15,00	± 0,35
08	21,50	± 0,35	17,50	± 0,35
09	24,00	± 0,35	20,00	± 0,35
10	26,50	± 0,35	22,50	± 0,35
11	29,00	± 0,35	25,00	± 0,35
12	31,50	± 0,35	27,50	± 0,35
13	34,00	± 0,35	30,00	± 0,35
14	36,50	± 0,35	32,50	± 0,35
15	39,00	± 0,35	35,00	± 0,35
16	41,50	± 0,35	37,50	± 0,35
17	44,00	± 0,35	40,00	± 0,35
18	46,50	± 0,35	42,50	± 0,35
19	49,00	± 0,35	45,00	± 0,35
20	51,50	± 0,35	47,50	± 0,35
21	54,00	± 0,35	50,00	± 0,35
22	56,50	± 0,35	52,50	± 0,35
23	59,00	± 0,35	55,00	± 0,35
24	61,50	± 0,35	57,50	± 0,35
25	64,00	± 0,36	60,00	± 0,36

**Screwless Terminal Block**

Part No.: **A11E017**

DRW:	Jason	CHKD	Wilson	MATL:	Wilson	TOLERANCE	Mason	DATE	27.01.2014	Customer:
APPD:	Schumi			FINISH	Jamy		Sheet No.	2 from 4		

# EDCON-COMPONENTS



## Ordering Informations

Serie	No. of Pos.	Body Color	Approval	Approval Code	ROHS	Packing	EDCON Cust. No.	Customer Version		
<b>A11E017</b>	<b>02</b>	<b>GY</b>	<b>N</b>	<b>N</b>	<b>R</b>	<b>B</b>				

Pitch  
2,50

02= Number of Pos. Standard 2 ~ 24Pos.	<b>GY</b> = Gray (Standard)	<b>N</b> = No Approval	<b>N</b> = NON Approval	<b>R</b> = ROHS Conform	<b>B</b> = Standard Package <b>I</b> = Individual Package	<b>xxxxxx</b> = Customer Number	<b>xxx</b> = Customer Version ??(Printing)
	<b>GN</b> = Green	<b>1</b> = Approval for Material <b>2</b> = Approval for Terminal Block	<b>A</b> = UL /UR Approval Please consult EDCON for available	<b>N</b> = NON ROHS Conform			
	<b>OR</b> = Orange		<b>B</b> = VDE Approval Please consult EDCON for available				
	<b>BK</b> = Black		<b>C</b> = TÜV Approval Please consult EDCON for available				

**Screwless Terminal Block**

Part No.: **A11E017**

DRW:	Jason	CHKD	Wilson	MATL:	Wilson	TOLERANCE	Mason	DATE	27.01.2014
APPD:	Schumi			FINISH	Jamy			Sheet No.	3 from 4

Customer:



Soldering Profile Curve

Classification Reflow Profile (JEDEC J-STD-020C)



**Screwless Terminal Block**

Part No.: **A11E017**

Customer:

DRW:	Jason	CHKD	Wilson	MATL:	Wilson	TOLERANCE	Mason	DATE	27.01.2014
APPD:	Schumi			FINISH	Jamy		Sheet No.	4 from 4	



