

# Data Sheet

## Screwless Terminal Block

**Pitch: 2,50 mm**

**Serie: A11E016**

### Customer Information for special Item

**EDCON Customer : 0**

**Customer Version No. : 0**

# EDCON-COMPONENTS



## Technical Discription

## Drawing (Dimension in mm)

### Electrical

Standard	UL	IEC
Rated voltage	300V	250V
Rated current	2A	2A
Wire range	22-20 AWG	0.5mm <sup>2</sup>

### Mechanical

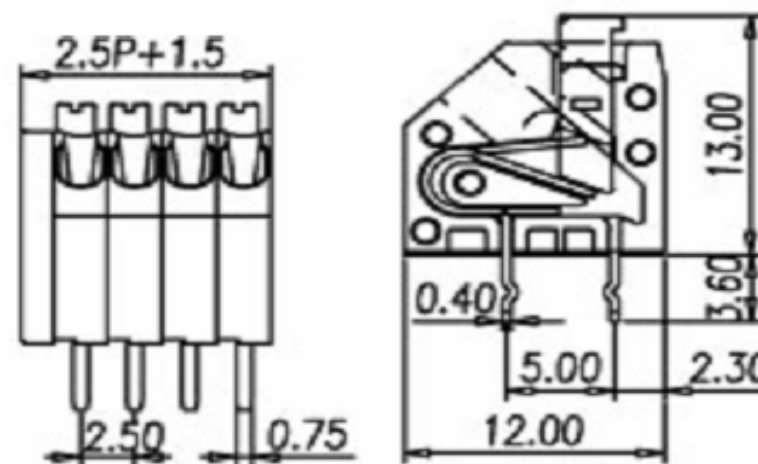
Temperature range	-40°C ~ +105°C
Strip length	7.5 ~ 8.5mm

### Dimensions

Pitch	2.50mm
Poles	2P - 25P

### Material

Housing	Nylon PA66 (UL94V-0)
Pin header	Brass, Tin plated
Wire guard	Stainless steel



### Screwless Terminal Block

Part No.: **A11E016**

Customer:

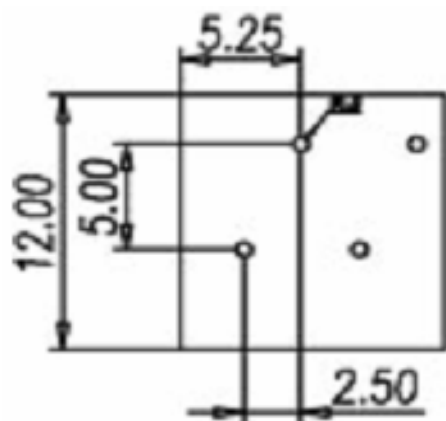
DRW:	Jason	CHKD	Wilson	MATL:	Wilson	TOLERANCE	Mason	DATE	27.01.2014
APPD:	Schumi			FINISH	Jamy		Sheet No.	1 from 4	

# EDCON-COMPONENTS



PCB Layout (Dimension in mm)

Dimensions (mm)



No. of Pos.	A	Tol. P	B	Tol. P
02	6,50	± 0,35	2,50	± 0,35
03	9,00	± 0,35	5,00	± 0,35
04	11,50	± 0,35	7,50	± 0,35
05	14,00	± 0,35	10,00	± 0,35
06	16,50	± 0,35	12,50	± 0,35
07	19,00	± 0,35	15,00	± 0,35
08	21,50	± 0,35	17,50	± 0,35
09	24,00	± 0,35	20,00	± 0,35
10	26,50	± 0,35	22,50	± 0,35
11	29,00	± 0,35	25,00	± 0,35
12	31,50	± 0,35	27,50	± 0,35
13	34,00	± 0,35	30,00	± 0,35
14	36,50	± 0,35	32,50	± 0,35
15	39,00	± 0,35	35,00	± 0,35
16	41,50	± 0,35	37,50	± 0,35
17	44,00	± 0,35	40,00	± 0,35
18	46,50	± 0,35	42,50	± 0,35
19	49,00	± 0,35	45,00	± 0,35
20	51,50	± 0,35	47,50	± 0,35
21	54,00	± 0,35	50,00	± 0,35
22	56,50	± 0,35	52,50	± 0,35
23	59,00	± 0,35	55,00	± 0,35
24	61,50	± 0,35	57,50	± 0,35

**Screwless Terminal Block**

Part No.: **A11E016**

Customer:

DRW:	Jason	CHKD	Wilson	MATL:	Wilson	TOLERANCE	Mason	DATE	27.01.2014
APPD:	Schumi			FINISH	Jamy		Sheet No.		2 from 4

[www.edcon-components.com](http://www.edcon-components.com)

email: [info@edcon-components.com](mailto:info@edcon-components.com)

# EDCON-COMPONENTS



## Ordering Informations

Serie	No. of Pos.	Body Color	Approval	Approval Code	ROHS	Packing	EDCON Cust. No.	Customer Version		
-------	-------------	------------	----------	---------------	------	---------	-----------------	------------------	--	--

<b>A11E016</b>	<b>02</b>	<b>GY</b>	<b>N</b>	<b>N</b>	<b>R</b>	<b>B</b>				
----------------	-----------	-----------	----------	----------	----------	----------	--	--	--	--

Pitch 2,50	02= Number of Pos. Standard 2 ~ 24Pos.	GY= Gray (Standard) GN= Green OR= Orange BK= Black	N= No Approval 1= Approval for Material 2= Approval for Terminal Block	N= NON Approval A= UL /UR Approval Please consult EDCON for available B= VDE Approval Please consult EDCON for available C= TÜV Approval Please consult EDCON for available	R= ROHS Conform N= NON ROHS Conform	B= Standard Package I= Individual Package	xxxxxx= Customer Number	xxx= Customer Version ??(Printing)
---------------	---	---	--	--	--	--	-------------------------	------------------------------------

**Screwless Terminal Block**

Part No.: **A11E016**

DRW:	Jason	CHKD	Wilson	MATL:	Wilson	TOLERANCE	Mason	DATE	27.01.2014
APPD:	Schumi			FINISH	Jamy		Sheet No.		3 from 4

Customer:



Soldering Profile Curve

Classification Reflow Profile (JEDEC J-STD-020C)



**Screwless Terminal Block**

Part No.: **A11E016**

Customer:

DRW:	Jason	CHKD	Wilson	MATL:	Wilson	TOLERANCE	Mason	DATE	27.01.2014
APPD:	Schumi			FINISH	Jamy		Sheet No.	4 from 4	



