

Data Sheet

Screwless Terminal Block

Pitch: 2,50 mm

Serie: A11E007

Customer Information for special Item

EDCON Customer : 0

Customer Version No. : 0

EDCON-COMPONENTS



Technical Description

Drawing (Dimension in mm)

Electrical

Standard	UL	IEC
Rated voltage	150V	130V
Rated current	4A	6A
Wire range	28-20 AWG	0.5mm ²
Withstanding voltage	AC1250V/1min	

Mechanical

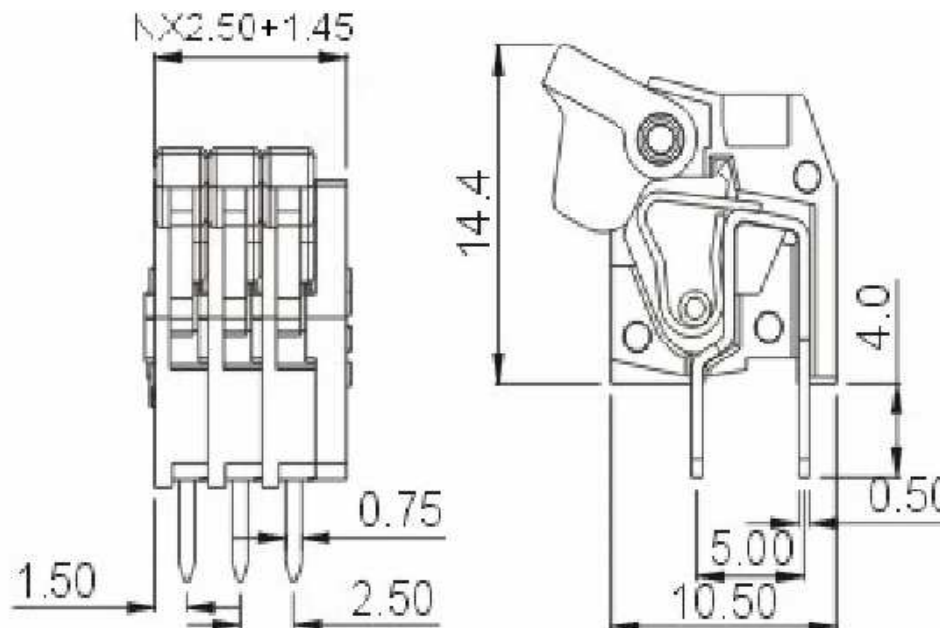
Ambient temperature	-40°C ~ +105°C
Strip length	5 - 6mm

Dimensions

Pitch	2.5mm
Poles	1P-xxP

Material

Housing	PA66 (UL94V-0)
Pin header	Phosphor Bronze, Tin plated
Wire guard	Stainless steel



Screwless Terminal Block

Part No.: **A11E007**

Customer:

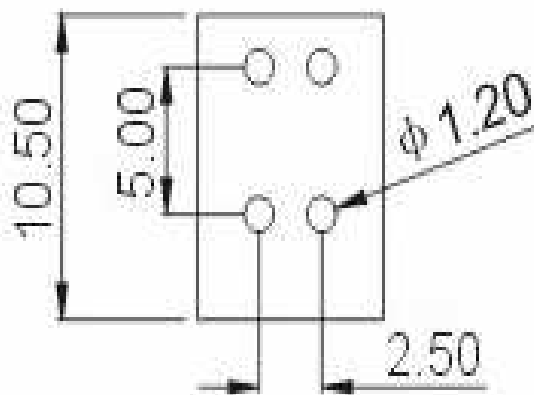
DRW:	Jason	CHKD	Wilson	MATL:	Wilson	TOLERANCE	Mason	DATE	27.01.2014
APPD:	Schumi			FINISH	Jamy		Sheet No.	1 from 4	

EDCON-COMPONENTS



PCB Layout (Dimension in mm)

Dimensions (mm)



No. of Pos.	A	Tol. P	B	Tol. P
02	6,45	± 0,35	2,50	± 0,35
03	8,95	± 0,35	5,00	± 0,35
04	11,45	± 0,35	7,50	± 0,35
05	13,95	± 0,35	10,00	± 0,35
06	16,45	± 0,35	12,50	± 0,35
07	18,95	± 0,35	15,00	± 0,35
08	21,45	± 0,35	17,50	± 0,35
09	23,95	± 0,35	20,00	± 0,35
10	26,45	± 0,35	22,50	± 0,35
11	28,95	± 0,35	25,00	± 0,35
12	31,45	± 0,35	27,50	± 0,35
13	33,95	± 0,35	30,00	± 0,35
14	36,45	± 0,35	32,50	± 0,35
15	38,95	± 0,35	35,00	± 0,35
16	41,45	± 0,35	37,50	± 0,35
17	43,95	± 0,35	40,00	± 0,35
18	46,45	± 0,35	42,50	± 0,35
19	48,95	± 0,35	45,00	± 0,35
20	51,45	± 0,35	47,50	± 0,35
21	53,95	± 0,35	50,00	± 0,35
22	56,45	± 0,35	52,50	± 0,35
23	58,95	± 0,35	55,00	± 0,35
24	61,45	± 0,35	57,50	± 0,35

Screwless Terminal Block

Part No.: **A11E007**

DRW:	Jason	CHKD	Wilson	MATL:	Wilson	TOLERANCE	Mason	DATE	27.01.2014
APPD:	Schumi			FINISH	Jamy		Sheet No.		2 from 4

Customer:

EDCON-COMPONENTS



Ordering Informations

Serie	No. of Pos.	Body Color	Approval	Approval Code	ROHS	Packing	EDCON Cust. No.	Customer Version		
-------	-------------	------------	----------	---------------	------	---------	-----------------	------------------	--	--

A11E007	02	OR	N	N	R	B				
----------------	-----------	-----------	----------	----------	----------	----------	--	--	--	--

Pitch 2,50	02= Number of Pos. Standard 2 ~ 24Pos.	GY= Gray (Standard) GN= Green OR= Orange BK= Black	N= No Approval 1= Approval for Material 2= Approval for Terminal Block	N= NON Approval A= UL /UR Approval Please consult EDCON for available B= VDE Approval Please consult EDCON for available C= TÜV Approval Please consult EDCON for available	R= ROHS Conform N= NON ROHS Conform	B= Standard Package I= Individual Package	xxxxxx= Customer Number	xxx= Customer Version ??(Printing)
---------------	---	---	--	--	--	--	-------------------------	------------------------------------

Screwless Terminal Block

Part No.: **A11E007**

DRW:	Jason	CHKD	Wilson	MATL:	Wilson	TOLERANCE	Mason	DATE	27.01.2014
APPD:	Schumi			FINISH	Jamy		Sheet No.		3 from 4

Customer:



Soldering Profile Curve

Classification Reflow Profile (JEDEC J-STD-020C)



Screwless Terminal Block

Part No.: **A11E007**

Customer:

DRW:	Jason	CHKD	Wilson	MATL:	Wilson	TOLERANCE	Mason	DATE	27.01.2014
APPD:	Schumi			FINISH	Jamy		Sheet No.	4 from 4	