

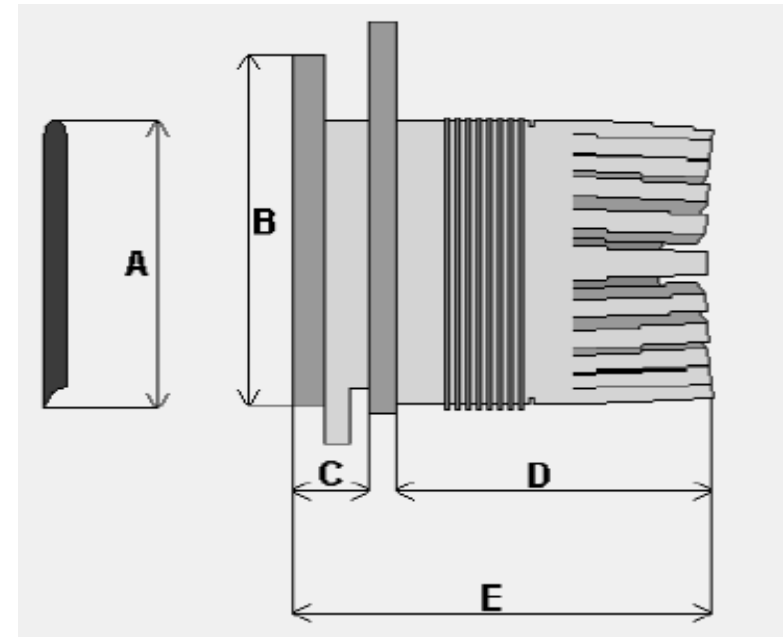
EDCON-COMPONENTS



Description

Material:
 Body: UL-Approved nylon 66, 94V-2
 Sealing ring: Rubber
 Features:1: Special designation, goods tensile strength and none damage to electrical machine.
 Features:2: No need to disaggregate the fix terminal, cables can be inserted trough directly and then tightened easily and save time.
 Protection degree: New IP65 since 05-2019
 Color: Standard light gray, other colors available, MOQ on request.
 Application: Used for machinery, control box, distribution box, machine and electrical etc.

Dimensions (mm)



Dimensions (mm)

| | |
|------------------|--------|
| A | 26mm |
| B | 24,5mm |
| C | 5mm |
| D | 22mm |
| E | 30mm |
| F | 18mm |
| G | 17mm |
| H | 27mm |
| I | 33,5mm |
| K | 14,5mm |
| L | 30,4mm |
| Tolerance +/- 2% | |

| Cable Range Order Code A | Cable Range Order Code B | Cable Range Order Code C | Cable Range Order Code D | Cable Range Order Code E |
|--------------------------|--------------------------|--------------------------|--------------------------|--------------------------|
| 10-12mm | 6-11mm | 10-14mm | Dual Hole 2x 5mm | Completed Closed |



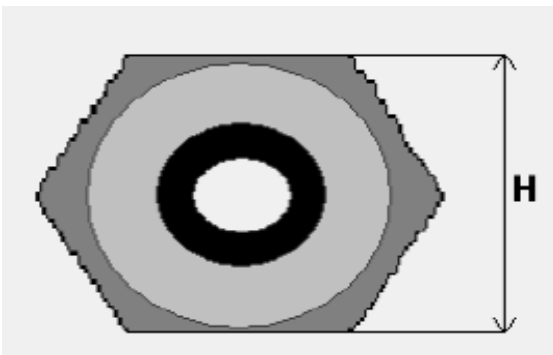
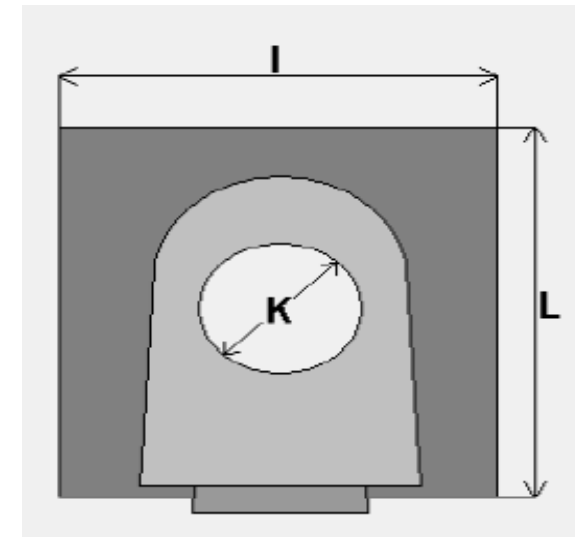
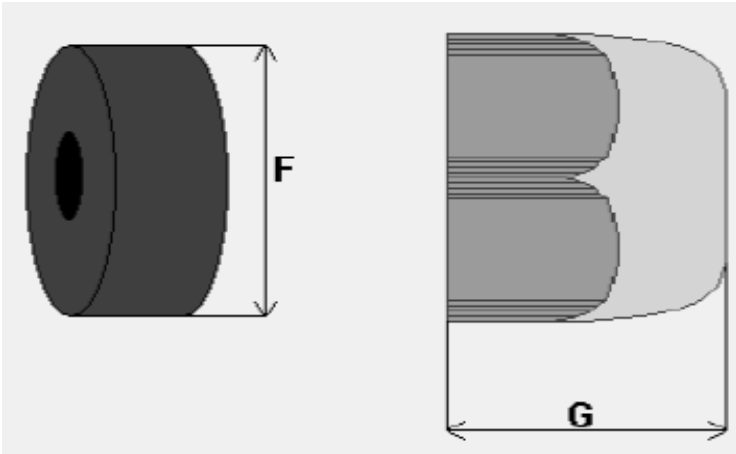
Special Nylon Cable Gland

Part No.: **150422**

Customer:

| | | | | | | | | | |
|-------|--------|------|--------|--------|--------|-----------|-----------|------|------------|
| DRW: | Jason | CHKD | Wilson | MATL: | Wilson | TOLERANCE | Mason | DATE | 18.06.2024 |
| APPD: | Schumi | | | FINISH | Jamy | | Sheet No. | | 1 from 3 |

EDCON-COMPONENTS



| | |
|----------------------------------|---------------|
| Special Nylon Cable Gland | |
| Part No.: | 150422 |
| Customer: | |

| | | | | | | | | | |
|-------|--------|------|--------|--------|--------|-----------|-------|-----------|------------|
| DRW: | Jason | CHKD | Wilson | MATL: | Wilson | TOLERANCE | Mason | DATE | 18.06.2024 |
| APPD: | Schumi | | | FINISH | Jamy | | | Sheet No. | 2 from 3 |

www.edcon-components.com

email: info@edcon-components.com

EDCON-COMPONENTS



Ordering Informations

| Serie | Type | Thread | Size | Color of Item | Cable Range | | | | | |
|-------|------|--------|------|---------------|-------------|--|--|--|--|--|
|-------|------|--------|------|---------------|-------------|--|--|--|--|--|

| | | | | | | | | | | |
|---------------|------------|----------|-----------|-----------|----------|--|--|--|--|--|
| 150422 | NCG | M | 20 | GR | A | | | | | |
|---------------|------------|----------|-----------|-----------|----------|--|--|--|--|--|

| | | | | | | |
|-------------------------------|-----------------------|-----------------|--------------------------------|----------------------------|--|--|
| NCG= Nylon Cable Gland | M= Thread Type | 20= Size | GR= Color of Item GREY | A= 10-12mm | | |
| | | | BK= Color of Item BLACK | B= 6-11mm | | |
| | | | | C= 10-14mm | | |
| | | | | D= 2x5mm | | |
| | | | | E= Completed Closed | | |

Special Nylon Cable Gland

Part No.: **150422**

Customer:

| | | | | | | | | | |
|-------|--------|------|--------|--------|--------|-----------|-----------|----------|------------|
| DRW: | Jason | CHKD | Wilson | MATL: | Wilson | TOLERANCE | Mason | DATE | 18.06.2024 |
| APPD: | Schumi | | | FINISH | Jamy | | Sheet No. | 3 from 3 | |